



## Polyga C504 3D SCANNER

Accuracy **X** Macro

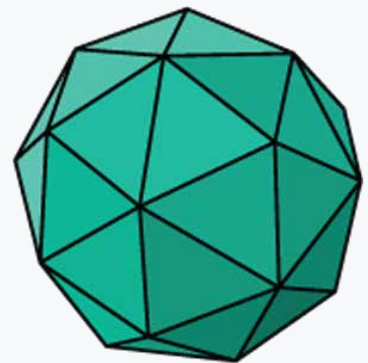
### Easy to Use, High Accuracy 3D Scanning

Convenient and easy to use, this professional 3D scanner is factory calibrated for accuracy to get you 3D scanning in no time. The Polyga Compact 3D scanners are great for any companies, manufacturers, academic institutions, visual effect studios, and research labs that need accurate and reliable 3D scan data for visualization and measurement applications including:

- Reverse engineering
- Computer and robotic vision
- Scientific measurement and documentation
- Quality inspection
- 3D modeling
- Rapid prototyping / 3D printing

The C504 3D Scanner is IP76 rated, dust proof and vibration resistant. It's ideal for inspecting and 3D scanning very small objects. It has an incredible accuracy of 6 microns across a 2cm FOV.

C504 for parts:  
**0.5 cm to 3 cm** in size





# Specifications

---

**Cameras:** 2 x 5 megapixel mono

---

**Accuracy:** 6 microns

---

**Average Points:** 5 Million

---

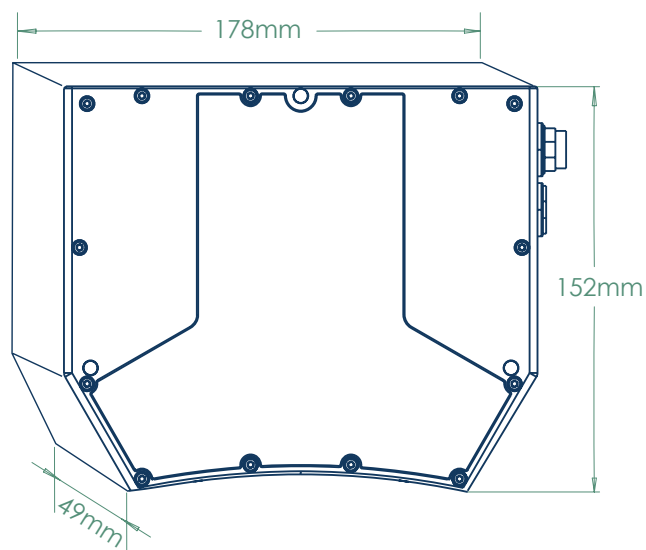
**Scan Speed:** 166 ms

---

---

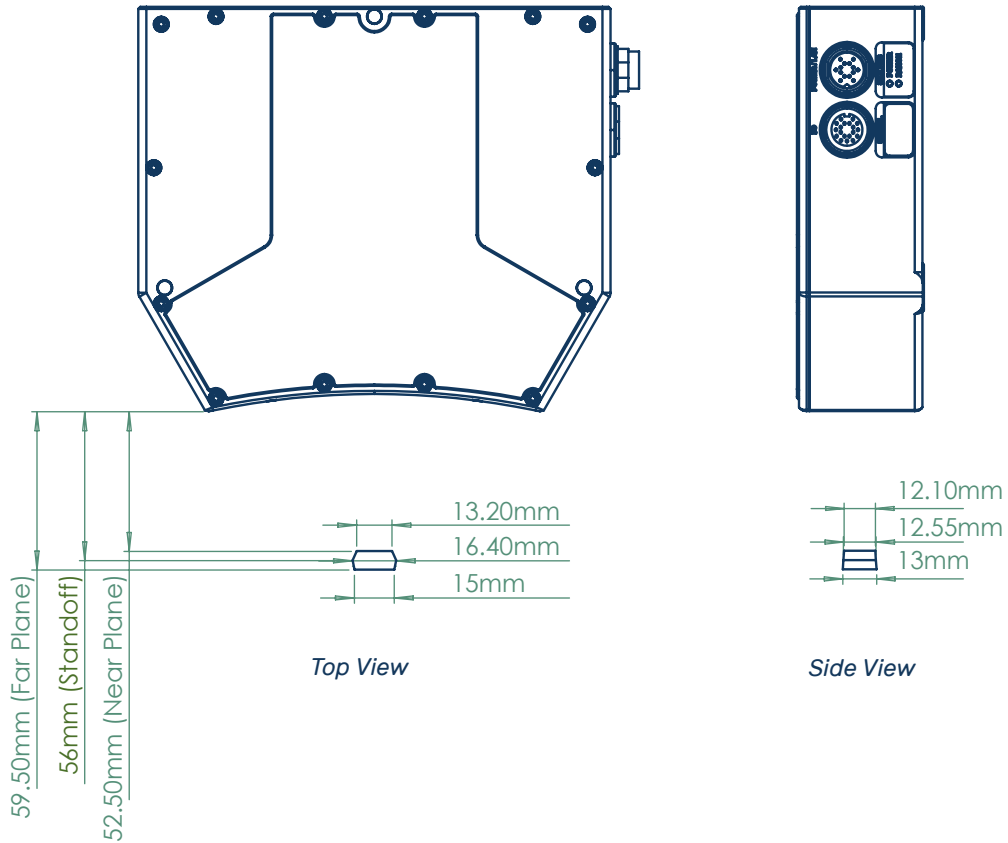
**Size:** 178mm x 152mm x 49mm

---



# Specifications

## Field of View & Standoff Distance



---

**Field of View:** 13 x 12.10 - 15 x 13.20 mm (20 mm)

---

**Standoff:** 56 mm

---

**Point to Point Distance:** 0.007 mm

---

---

**Export Formats:** PLY, STL, OBJ, ASC

---

**Scanning Software:** FlexScan3D

---