

Powertrain Management: Electrical Diagrams

Block Diagram

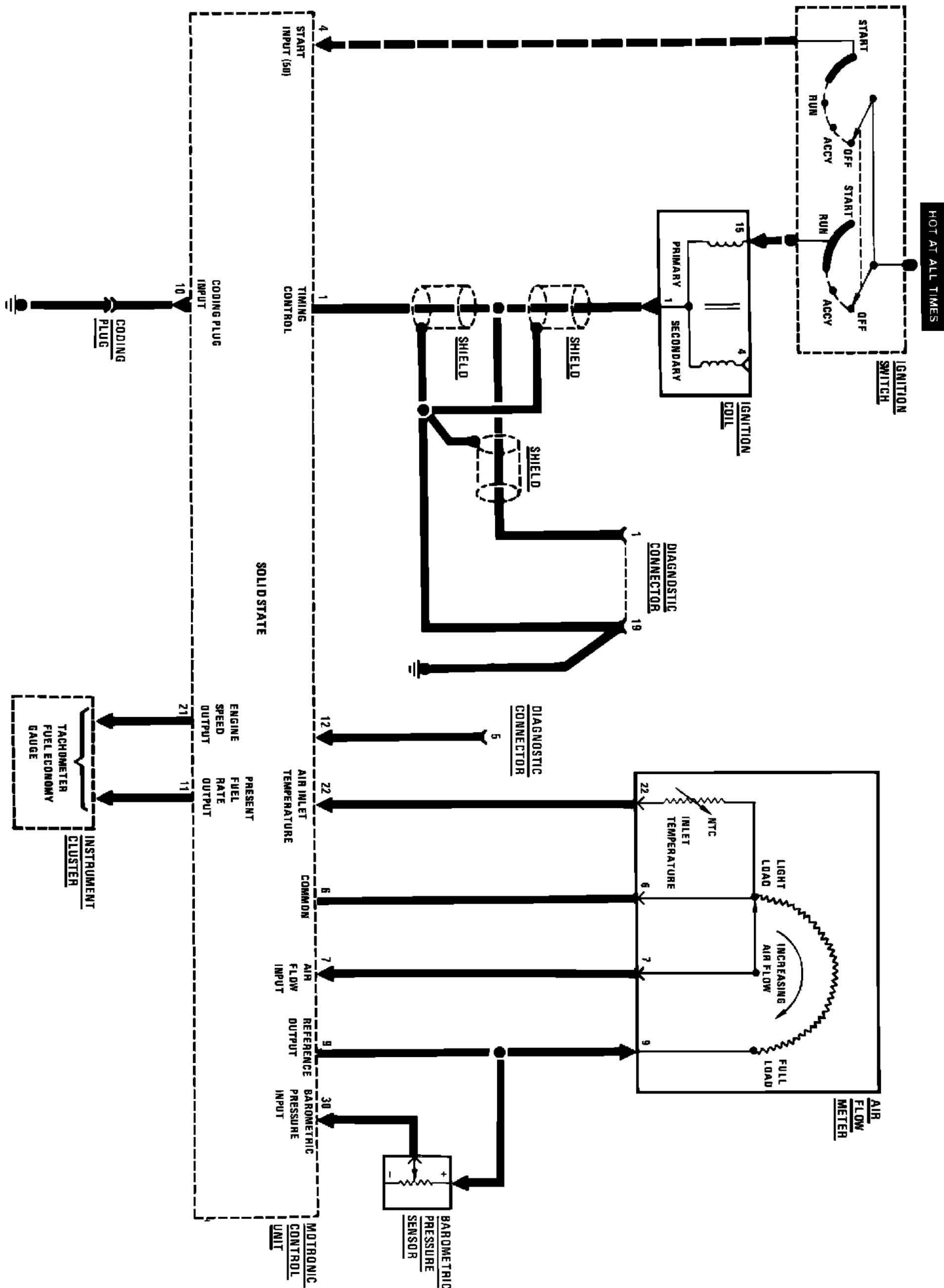


Fig. 15a Injection Electronics (Engine Block Diagram)

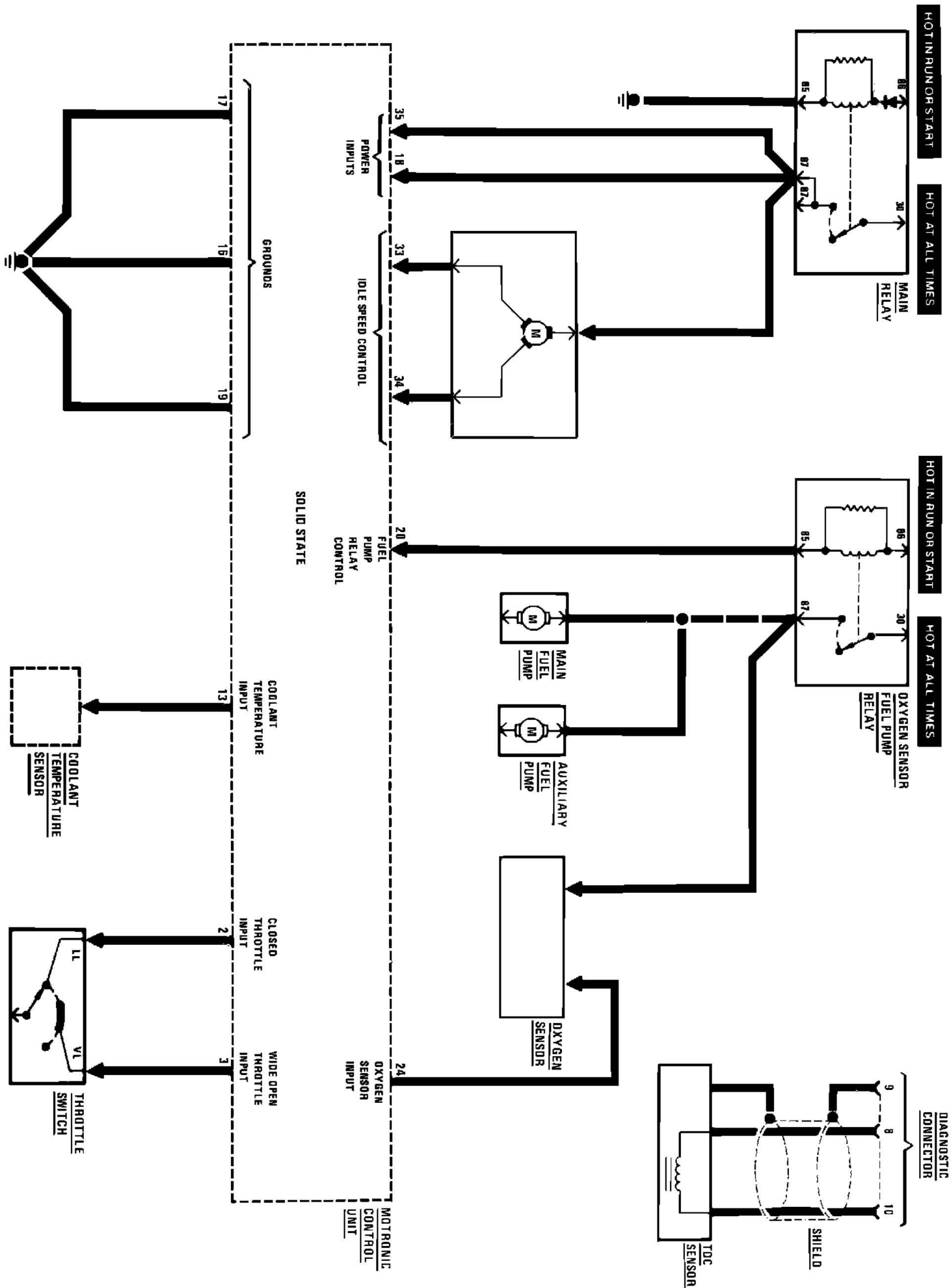


Fig. 15b Injection Electronics (Engine Block Diagram)

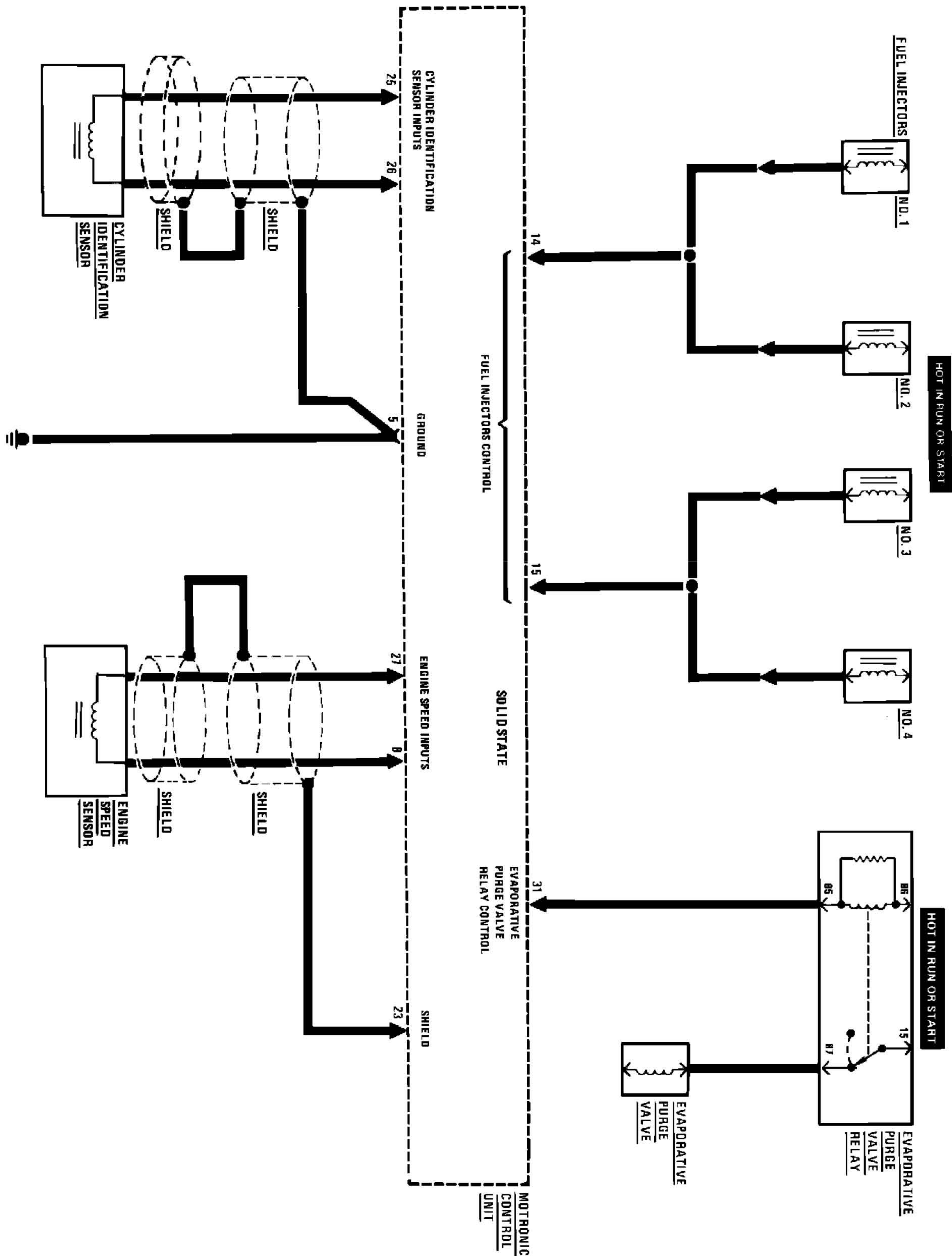


Fig. 15c Injection Electronics (Engine Block Diagram)

Powertrain Management: Electrical Diagrams

Fuel Injection

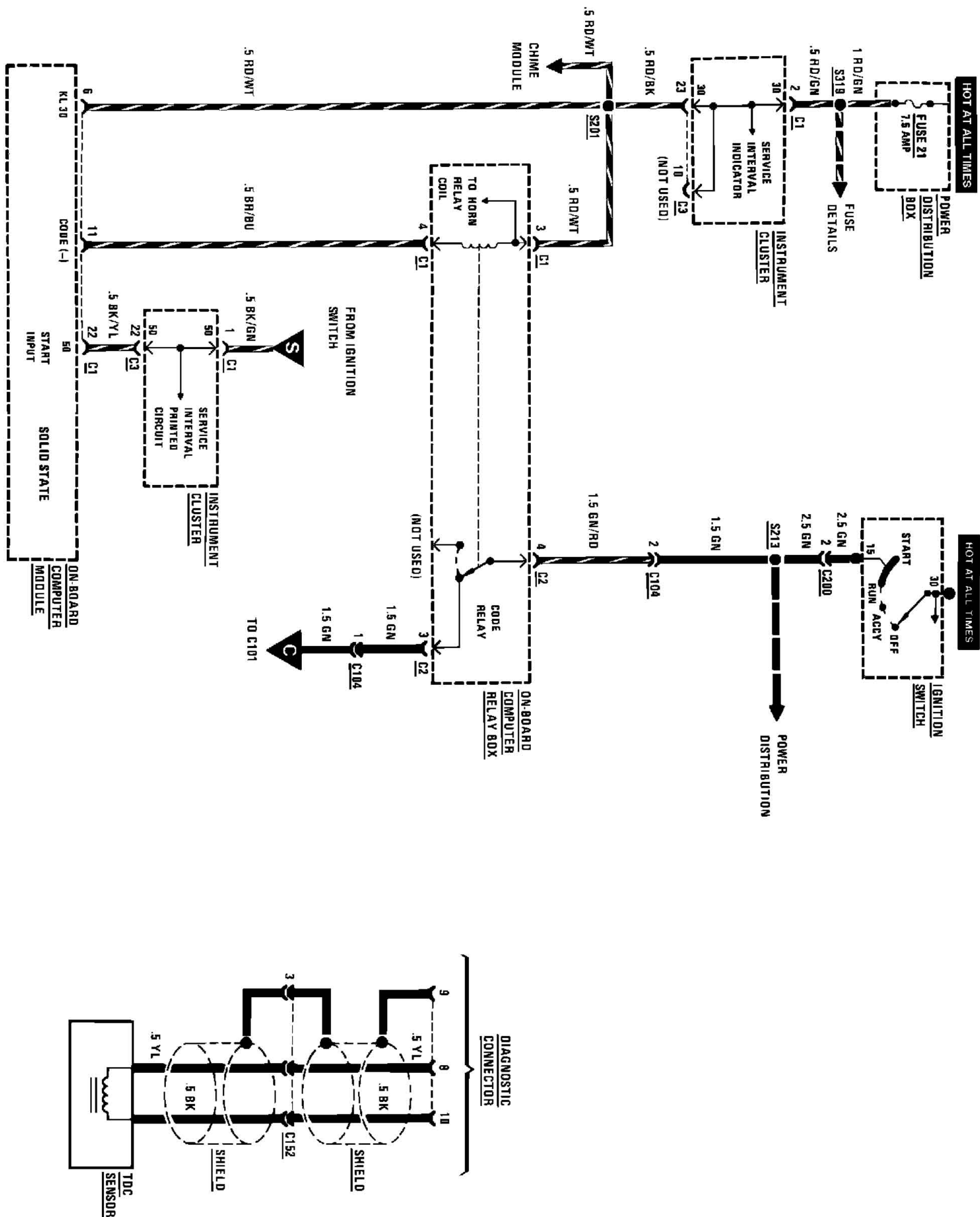


Fig. 15d Injection Electronics

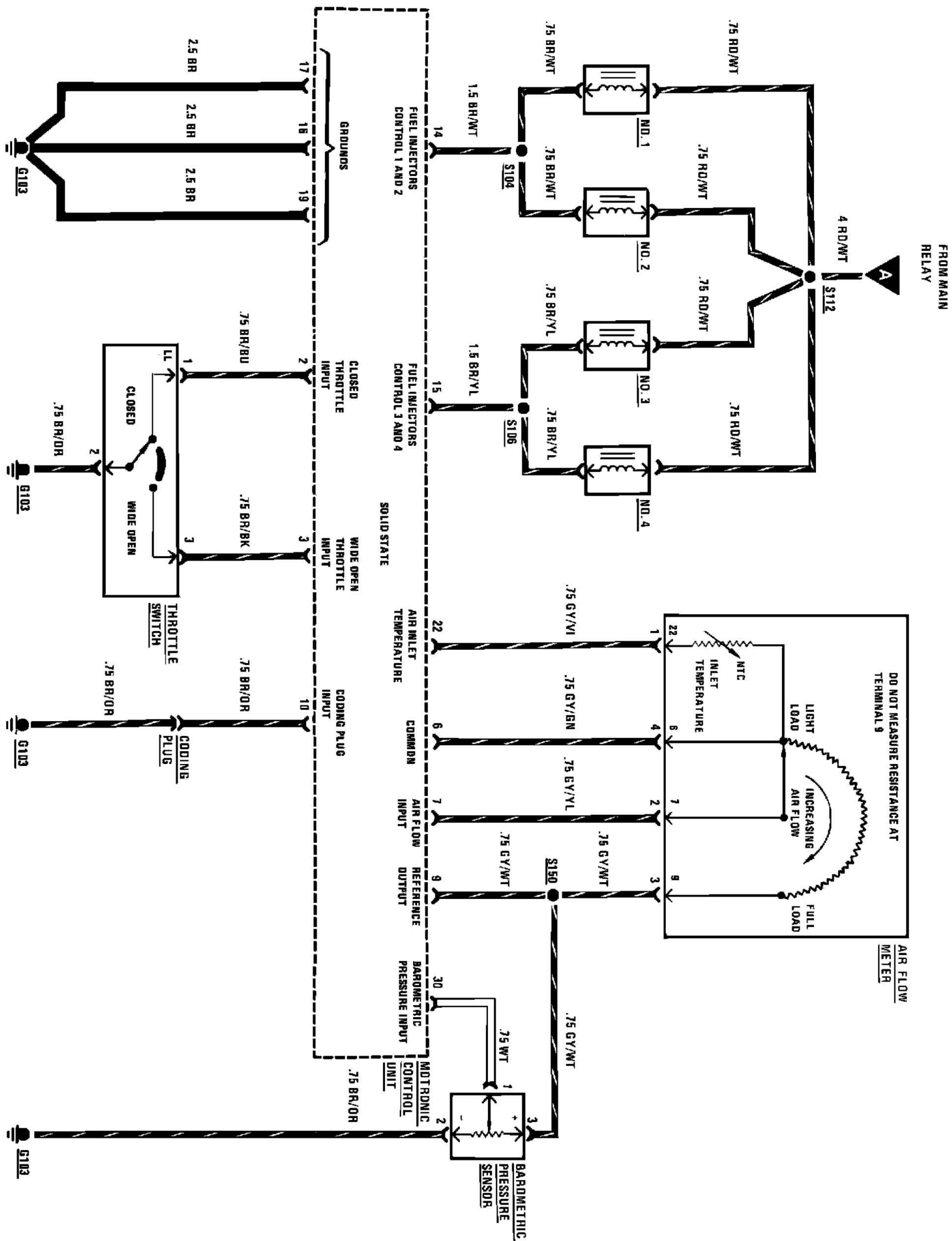


Fig. 15f Injection Electronics

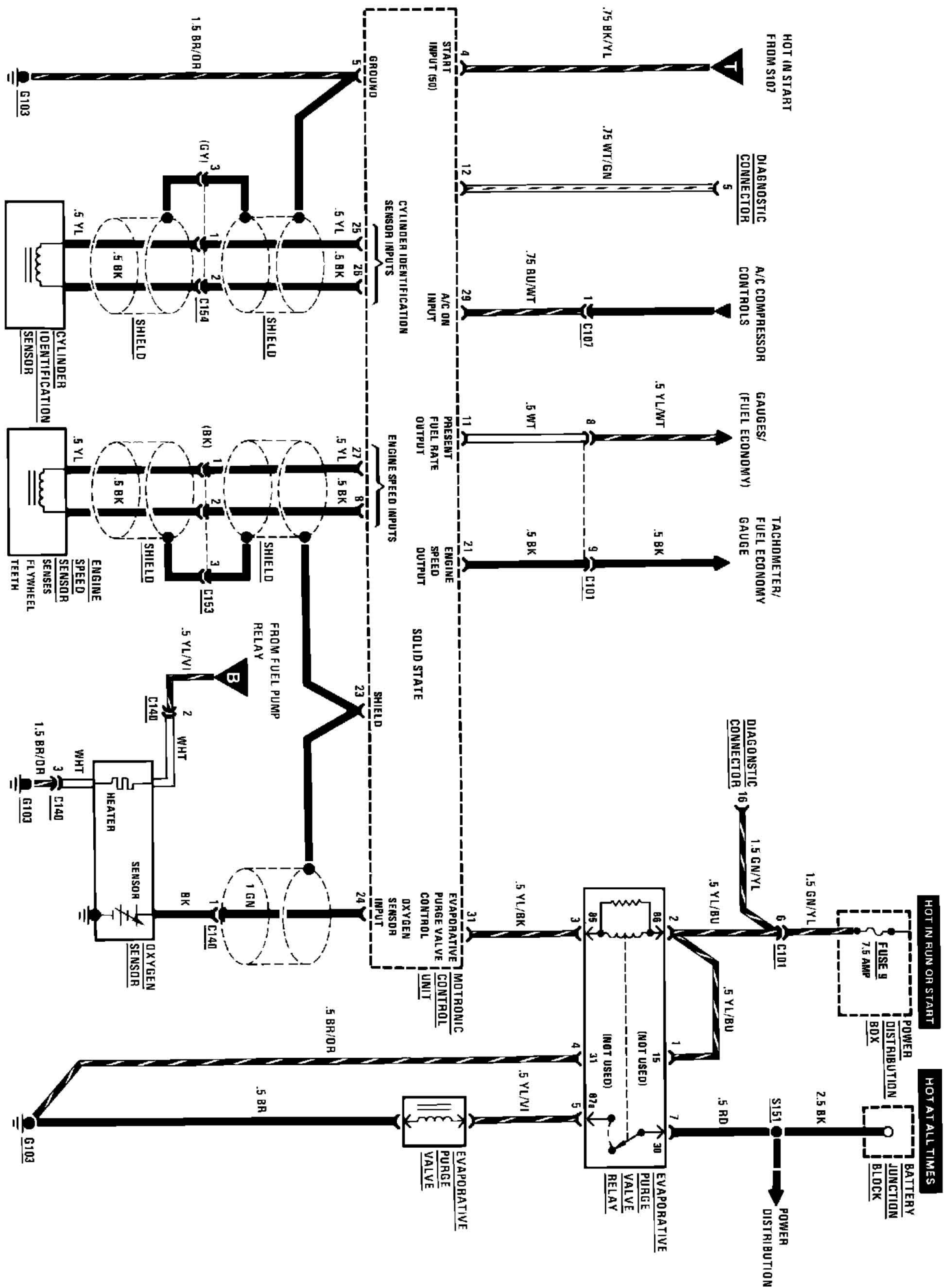
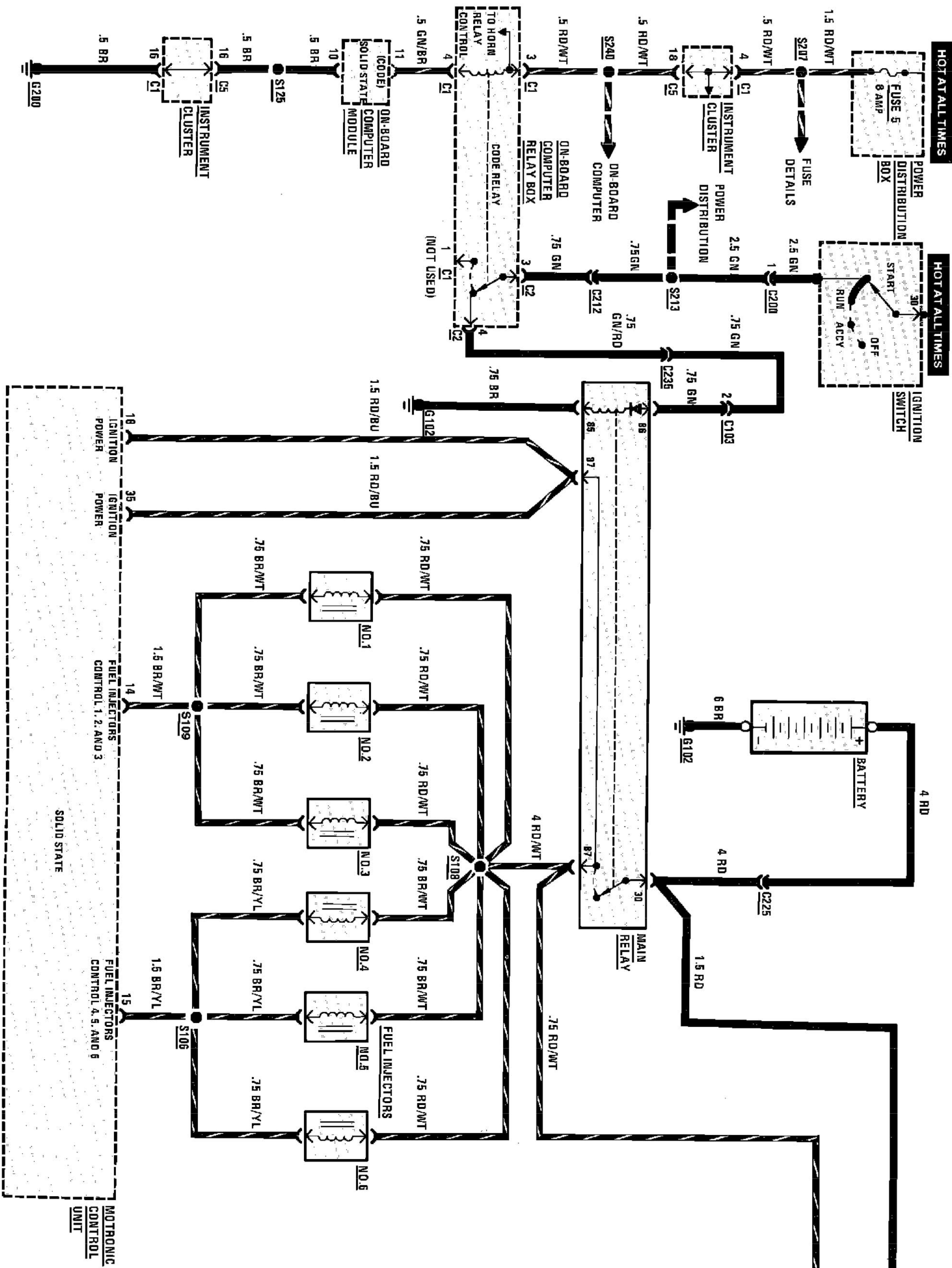


Fig. 15g Injection Electronics

Powertrain Management: Electrical Diagrams

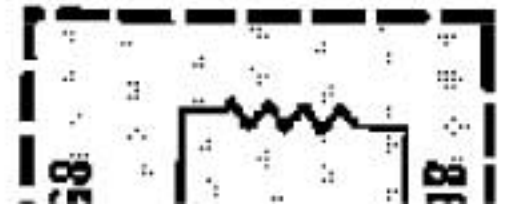
Power Supply/Inputs & Outputs



2
F
P
D

.75 BR/G

.75 RD/W



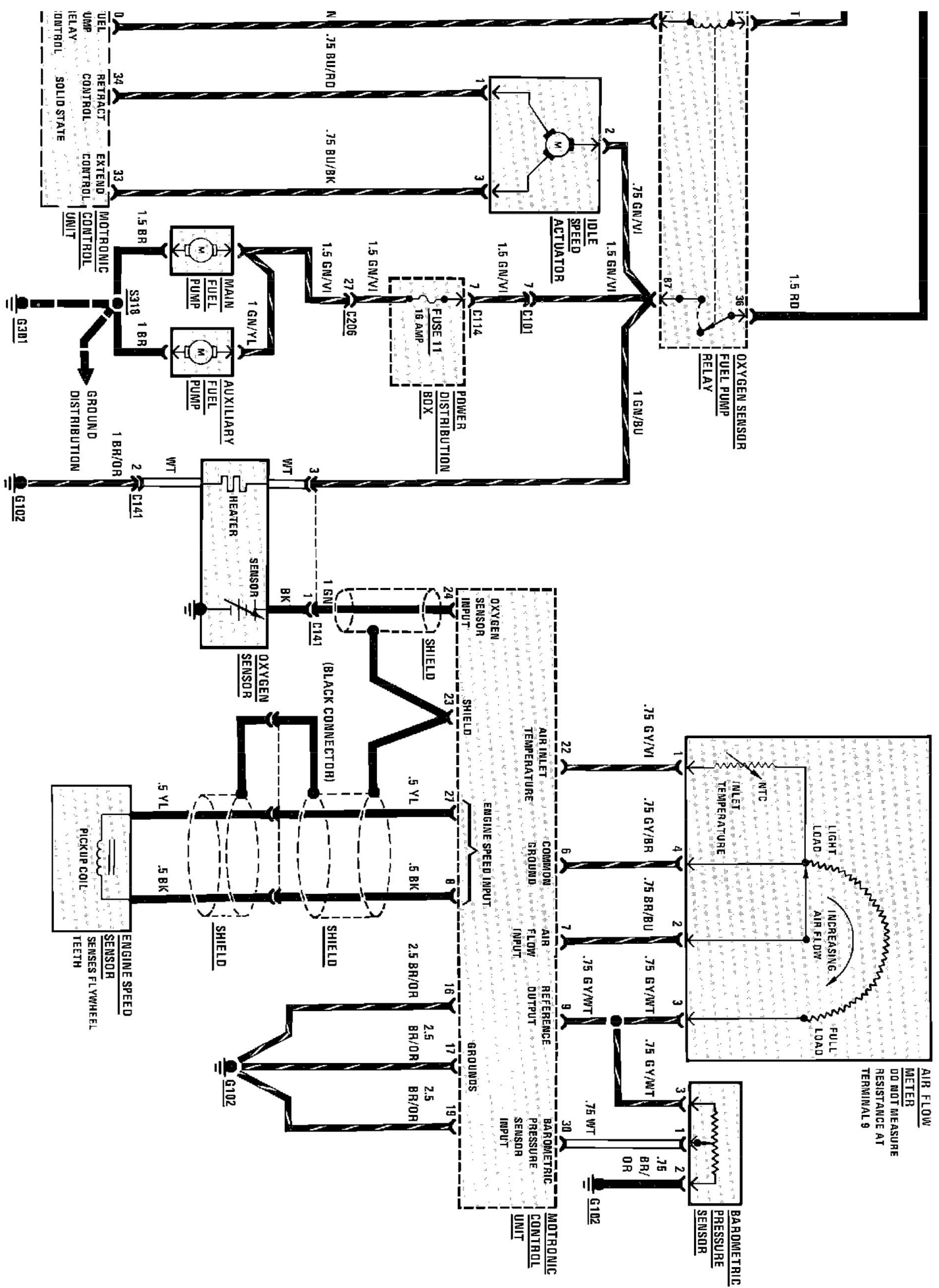


Fig. 78 Fuel Injection

Powertrain Management: Electrical Diagrams Sensor Input & Outputs

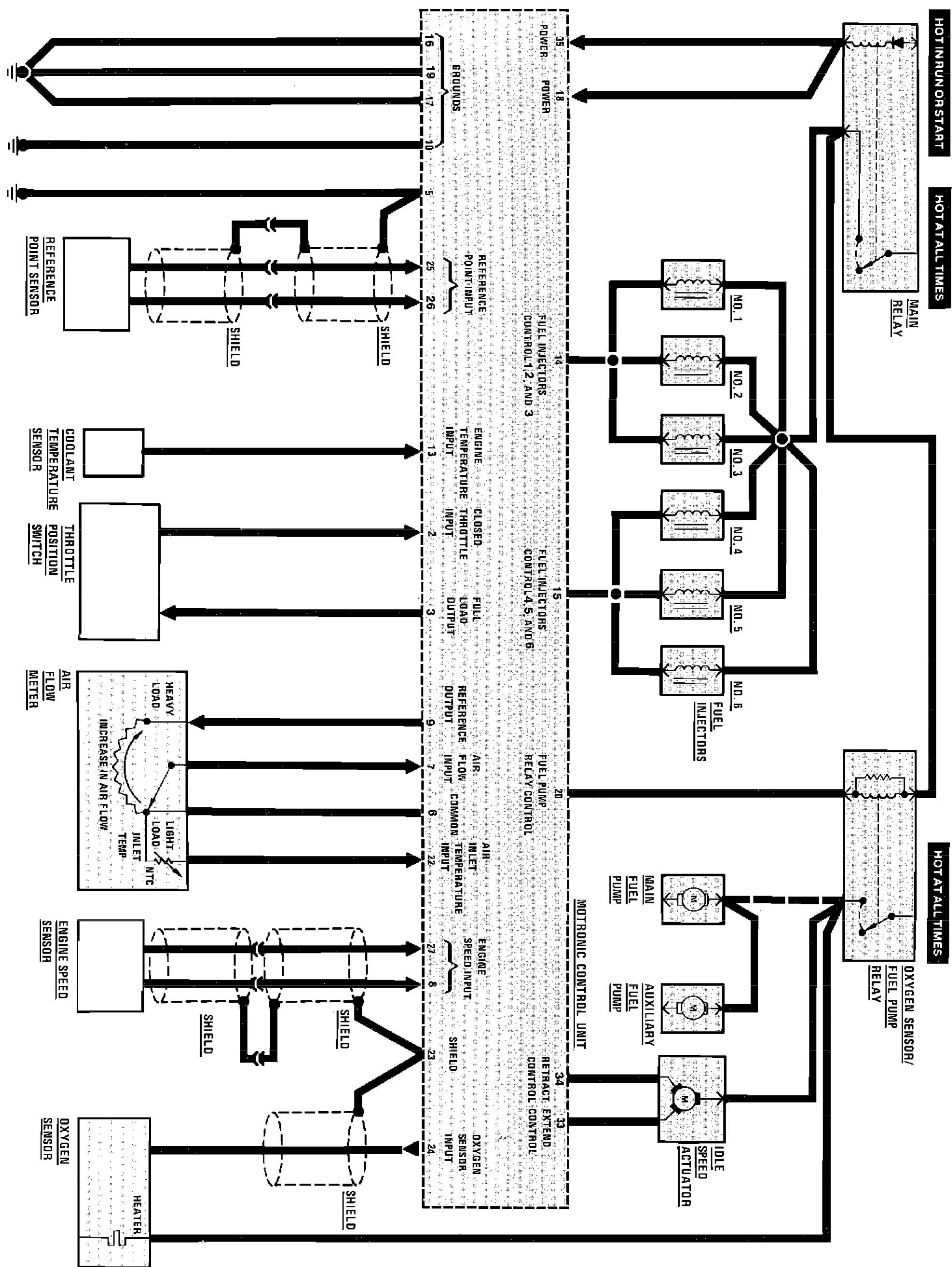


Fig. 76 Fuel Injection

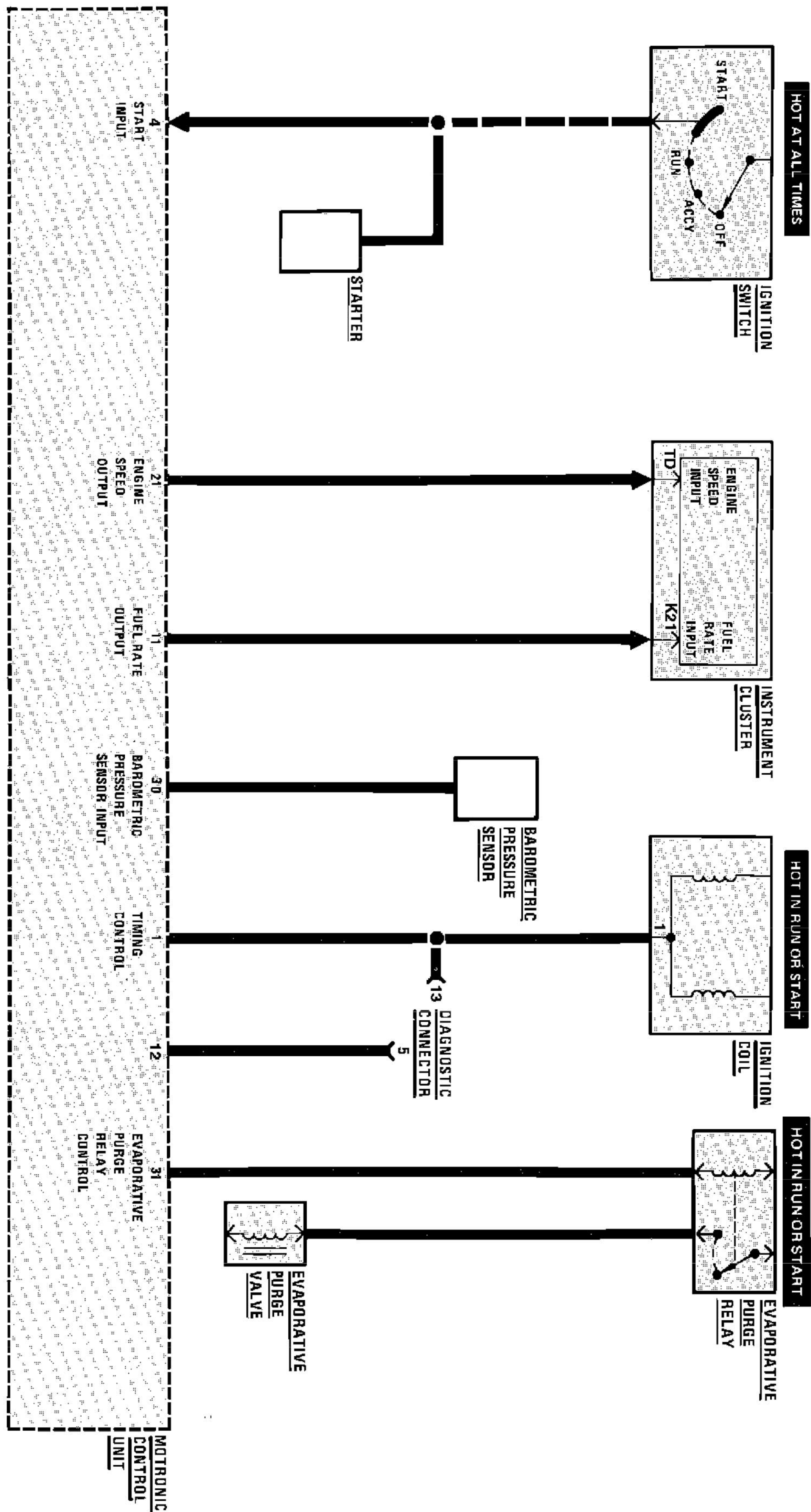


Fig. 77 Fuel Injection Control Unit

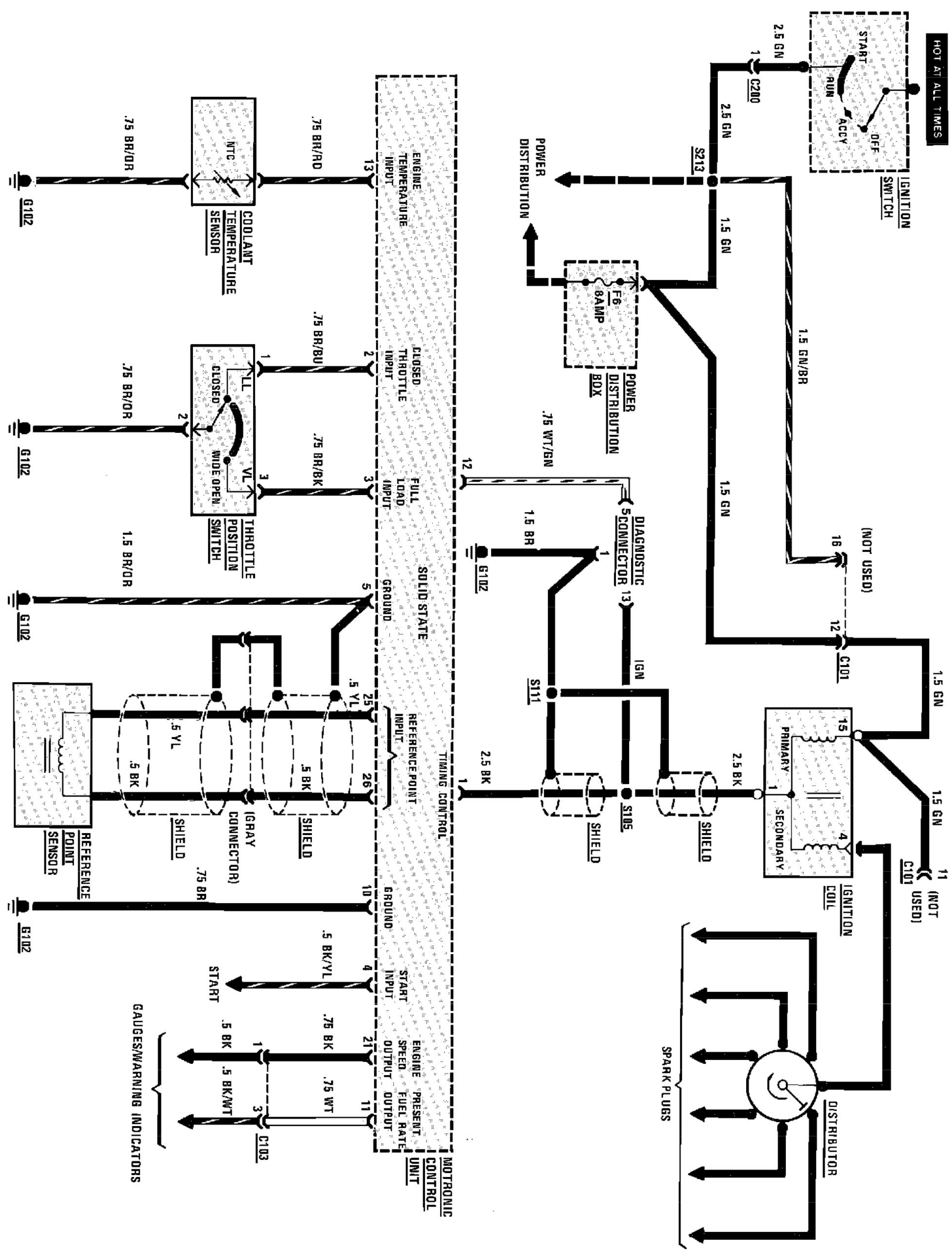


Fig. 79 Fuel Injection Primary Wiring