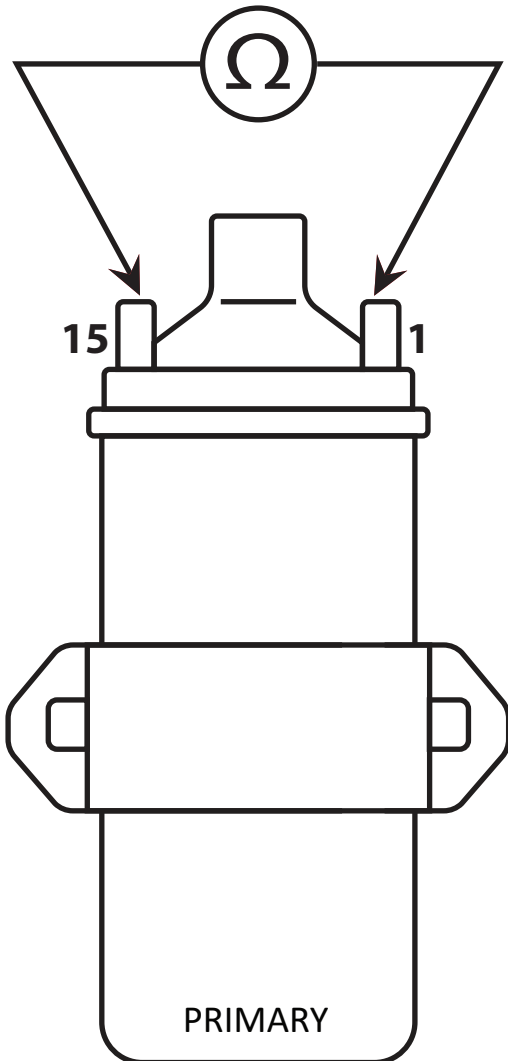


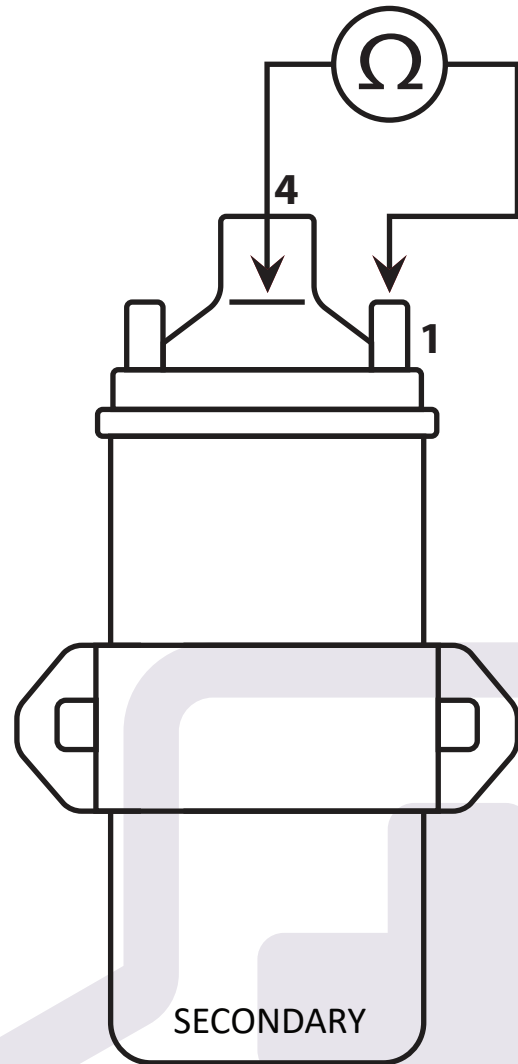


PORSCHE CDI 3 PIN COIL RESISTANCE CHECK

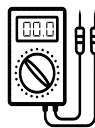
0.4 to 0.6 Ohm



650 to 790 Ohm



TOOLS NEEDED: Digital Multimeter



Primary and Secondary Resistance values you should see in your Digital Multimeter. These Values are valid only for the Original Bosch Coil used with the 3 PIN CDI Box. Perform the operation of reading these values without any wires from the car connected to the Coil.

DISCLAIMER

It is the sole responsibility of the user to perform these tests. Please inform yourself on how to operate your testing equipment before attempting any diagnostics. Not following these guide - lines will result in damages to your sensors, harness or electronic module on your car.