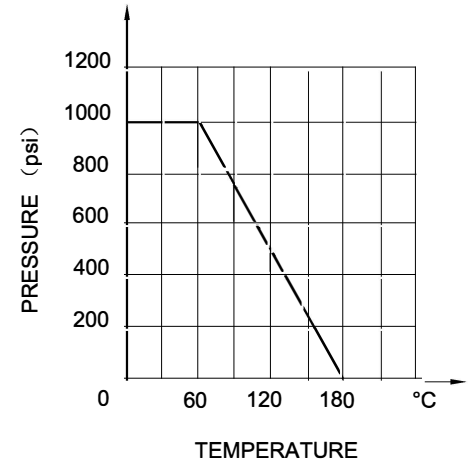
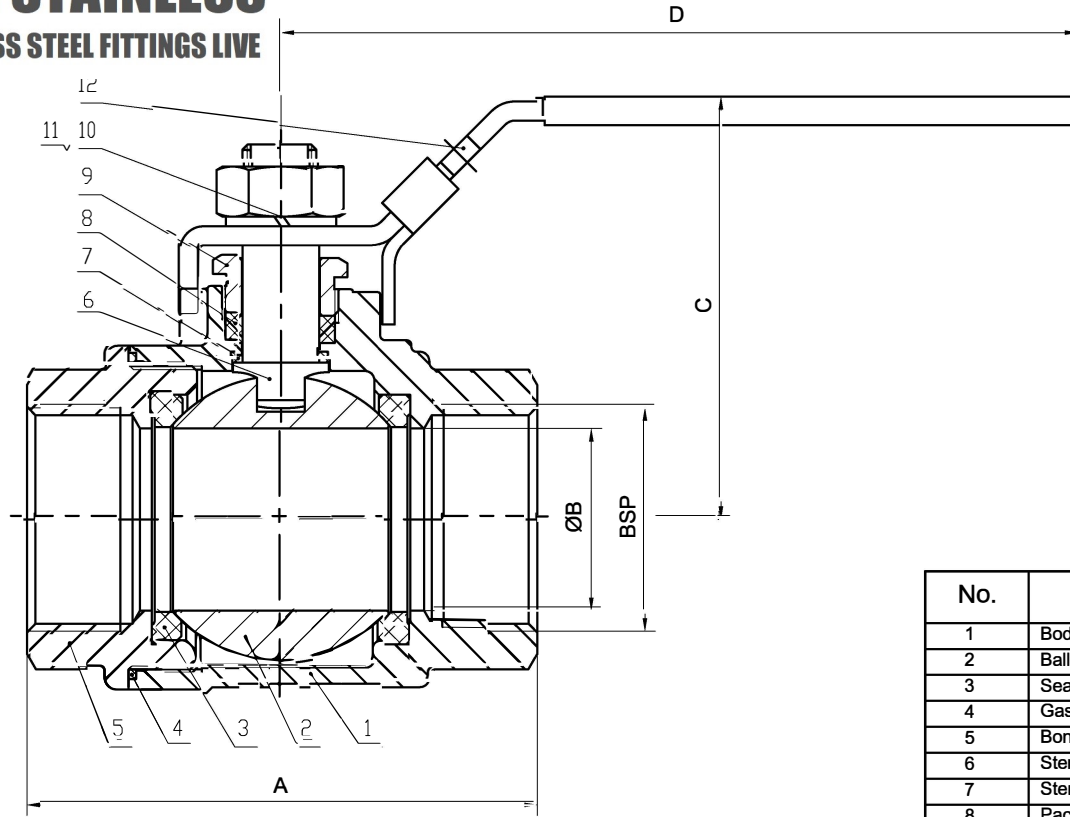




**STATTIN STAINLESS**  
WHERE STAINLESS STEEL FITTINGS LIVE



Dimensions (mm)

NPS	DN	A	B	BSP	C	D														
1/4"	8	55	11	1/4"	48	95														
3/8"	10	55	11.5	3/8"	48	95														
1/2"	15	63	15	1/2"	54	105														
3/4"	20	73	19.5	3/4"	65	130														
1"	25	84	25	1"	71	140														
1 1/4"	32	98	32	1 1/4"	81	140														
1 1/2"	40	106	38	1 1/2"	94	170														
2"	50	121	49.5	2"	105	185														
2 1/2"	65	152	64	2 1/2"	117	200														
3"	80	166	77	3"	134	240														
4"	100	204	99	4"	157	300														

No.	PART	QTY.	MATERIAL
1	Body	1	ASTM A351 CF8M
2	Ball	1	ASTM A351 CF8M
3	Seat Ring	1	PTFE
4	Gasket	1	PTFE
5	Bonnet	1	ASTM A351 CF8M
6	Stem	1	ASTM A276 316
7	Stem Washer	1	PTFE
8	Packing	1	PTFE
9	Gland	1	ASTM A194 8
10	Spring Washer	1	SS304
11	Nut	1	ASTM A194 8
12	Handle	1	SS201
13			
14			
15			
16			
17			
18			
19			
20			

Drawing No.	Date	Figure No.	Rev No.
Ball Valve , 2PC , 1000WOG , BSP			