

# Decorative Pawn Cover

FITS 10" SCH.40 AND SCH.80 STEEL PIPE

DURABLE 1/4" WALL THICKNESS



AVAILABLE IN ANY COLOR

Code PIOBC10

Bollard Canada's Pawn Decorative Bollard Covers fit over 10" pipe with steel inserts also available to fit smaller pipe sizes.

These commanding arrangements stand at an overall height of 49" and are made of 1/4" nominal wall thickness polyethylene thermoplastic (LDPE).

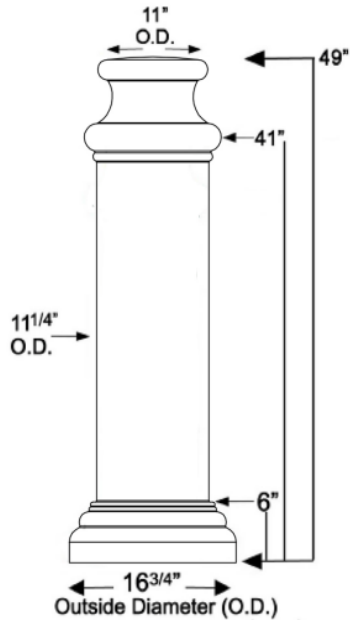
## Descriptions

**Design:** The Pawn

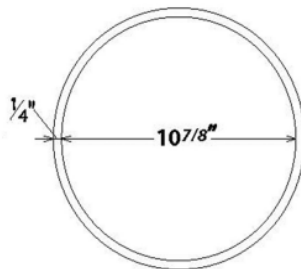
**Made Of:** 1/4" nominal wall thickness LDPE plastic

**Pipe Fit:** Fits 10" pipe diameter (can fit 4", 6", 8" pipe with insert)

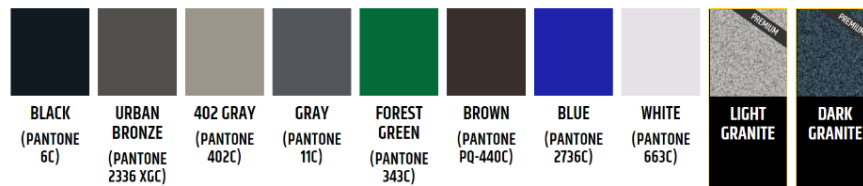
**Height:** 49" overall  
 - 8" & 10" pipe fits max 41"  
 - 4" & 6" pipe fits max 48"



Steel Pipe ID = 10"  
 Steel Pipe OD = 10.75"  
 Ideal Sleeve ID = 10 7/8"



Cross Section of Sleeve



2970 Rue Turcot, St Hyacinthe, Qc, Canada, J2S8Z6, 1-855 BOLLARD  
[www.bollard.ca](http://www.bollard.ca)  
[info@bollardcanada.com](mailto:info@bollardcanada.com)