

Product Specification Sheet

Arena Theatre Fresnel



A 2.0kW / 2.5kW luminaire using a 200mm diameter lens.

The adjustable cone of light has a soft edge, easily blended with adjacent beams to provide even illumination.

The Arena Theatre Fresnel offers superior light output, strength and performance at a moderate cost.

Features

Wide range of beam angle from 7°-60°.

Flat even beam with very little spill.

Adjustable yoke balance point.

'Swing-down' door for easy access to lamp or cleaning. Isolates the mains supply when opened.

Choice of GY16 lamp socket for CP72/43 2.0kW lamp or G22 lamp socket for CP91, 2.5kW.

Smooth focus movement from 'Posi-slide' focus system, no metal to metal contact.

Effective airflow maintains lower body temperature.

Constructed of pressure die-castings and aluminium extrusion.

Lamps: 220V-240V

GY16 lamp socket / 2000W

CP72
50,000 lumens 400 hours average life

G22 lamp socket / 2500W

CP91
65,000 lumens 400 hours average life

G22 lamp socket / 2000W

CP92
50,000 lumens 400 hours average life

Order Codes

10SF2020GY16
Arena Theatre Fresnel 2.0kW
10SF2025G22
Arena Theatre Fresnel 2.5kW

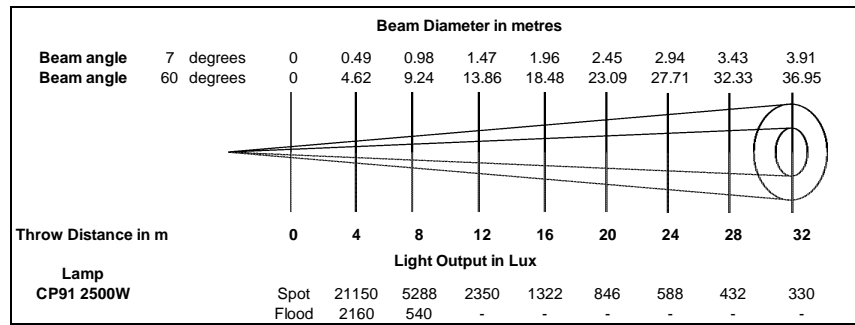
20BDSF2020 Barndoor
20SM24 Lens safety mesh
20HC Suspension hookclamp
20SC Safety bond

Approvals

Fully tested and compliant to CE standards.

Photometric Data

Tests conducted using a standard CP91, 2500W, 240V, 65,600 lumens lamp.



Physical Data

Weights:

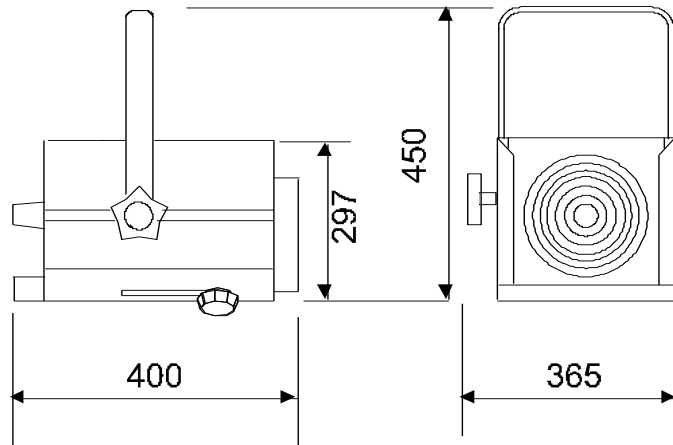
Model	Unit including colour frame	Unit including colour frame - packed
2.0kW	10.04kg	12.17kg
2.5kW	10.30kg	12.42kg

Carton Size: 310 x 375 x 520

Carton Size Cubic: 0.06

Colour Frame Size: 245mm x 245mm

Included: 1x colour frame, 1x M12 nut and bolt set, instruction leaflet.



Philips Selecon reserves the right to change the specifications without notice (October 2011).