

## SC-NODE



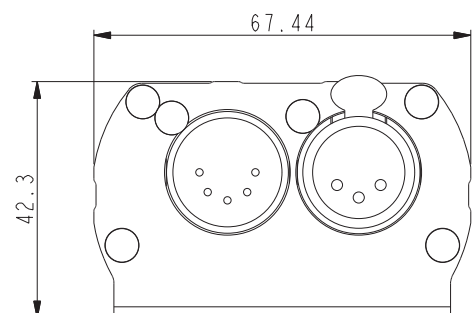
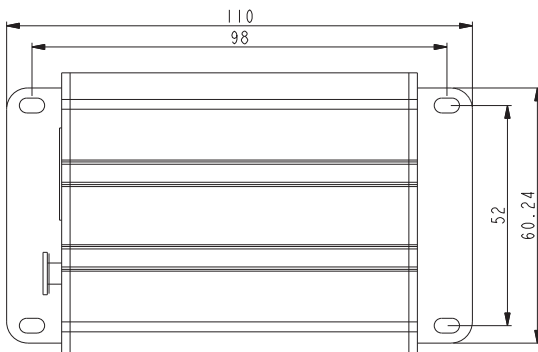
The Showline SC-NODE is a powerful bi-directional convertor for ethernet entertainment networks. A versatile component for large or small entertainment control systems, the SC-Node uses the established Art-Net control protocol to convert a single universe of DMX or RDM via ethernet.

Configure the IP address from a PC, then select the working mode with the 2 position dipswitch, and quickly configure the DMX universe and Sub-Net with the dual 16 position dials.

### Features:

- DMX/RDM to Artnet
- Artnet to DMX/RDM
- Single DMX universe output
- Each node supports up to 200 RDM devices
- Choice of 16 Sub-Net and 16 Universe address settings
- 2 position dipswitch for selecting working mode
- Compact size

### Drawing Diagram:



## Technical Specifications:

**Version:**

SC-NODE ,  
IP20

**Input:**

3.5mm Socket for DC Power 350mA.  
5 pin XLR for DMX/RDM 512 (RDM/DMX in)  
RJ45 Ethernet Socket for Artnet

**Output:**

5 pin XLR for DMX/RDM 512 (RDM/DMX out)

**Controls:**

DMX-512 (1990)  
RDM(E1.20-2006)

**Modes:**

Artnet to DMX/RDM  
DMX/RDM to Artnet

**Physical:**

5VDC, 350mA  
110mm x 67mm x 42mm  
0.185 kgs  
CE

## Ordering Information:

**88-095-2690-01**

**Ethernet to RDM/DMX Convertor**

**SCNODE**

*Philips Group 2014. All rights reserved.*

*The Company reserves the right to make any variation in design or construction to the equipment described. E&OE. Philips Entertainment delivers fully integrated lighting solutions; from simple lamps to complete systems designed with the specific needs of the entertainment and specialized display lighting markets.*

[www.philips.com/showline](http://www.philips.com/showline)

Philips Entertainment U.S.  
10911 Petal Street Dallas,  
TX 75238  
U.S.A  
Tel: +1 214647 7880 Fax:  
+1 214647 8030

Philips Entertainment Lighting Asia Limited  
Unit C, 14/F, Roxy Industry Centre  
No. 41 - 49 Kwai Cheong Road  
Kwai Chung, N.T. Hong Kong  
Tel: +852 27969786  
Fax: +852 27986546

Philips Entertainment Group Europe  
Rondweg Zuid 85  
Winterswijk 7102 JD Netherlands  
Tel: +31 543-542343  
Fax: +31 53 4500425

Philips Entertainment New Zealand  
19 - 21 Kawana Street, Northcote  
Auckland 0627, New Zealand  
Tel: +64 9481 0100  
Fax: +64 9481 0101