

EMOTIVA®

X SERIES
PRECISION CRAFTED LOUDSPEAKERS

airmotiv™

User Manual



Airmotiv X Series Speakers

Contents

Airmotiv X Series Speakers 1

Introduction 3

About This Manual 4

Features 5

Unpacking 6

Emotiva Airmotiv X Series Speakers 7

Airmotiv XT1 8

Airmotiv XT2 9

Airmotiv XT3 10

Airmotiv XB2 11

Airmotiv XC1 12

Airmotiv XC2 13

Airmotiv XC3 14

Airmotiv XA2 15

Quick Start 16

Connections 17

Speaker Placement 18

Mounting the Airmotiv XA2 20

Care and Maintenance 22

Emotiva Audio Corporation Limited Warranty 23

Notes 24

Introduction

Thank you for purchasing our new Emotiva Airmotiv™ X Series loudspeakers.

The Emotiva Airmotiv X series of speakers represents the culmination of years of research and experience in producing home and professional loudspeakers offering both excellent technical performance and superb sound quality. Our Airmotiv X Series speakers were designed from the start to be equally at home in an audiophile stereo system or a high-end home theater.

Our design philosophy is simple: if a speaker can reproduce the entire audible spectrum, as accurately as possible, with very little distortion or coloration, then it will sound good - whether you're playing classical music, or jazz, or the sound track of your favorite blockbuster movie.

For high-frequency reproduction, we chose our Airmotiv™ folded ribbon tweeter. This tweeter, which we introduced in our Airmotiv Stealth studio monitors, offers excellent frequency response, very low distortion, great detail retrieval, and high power handling capability. And, last but certainly not least, the Airmotiv folded ribbon tweeter sounds superb at all listening levels.

For middle and low frequencies we chose advanced woven fiber cones, which deliver smooth response over the entire audio spectrum, and blend well with our Airmotiv tweeters.

The crossover network used in each Airmotiv X Series speaker was carefully designed and optimized to work perfectly with the drivers we chose for each, and features audiophile quality film capacitors, air core inductors, and precision resistors in critical locations.

The Airmotiv speaker cabinets are crafted from thick, heavily braced, acoustically inert HDF to ensure maximum rigidity and resistance to stray vibration; the front panel is machined from a solid slab of 25mm HDF. The simple but elegant front panel design, and contoured low diffraction trim rings around the drivers, offer a stylishly clean look to our Airmotiv X Series speakers, while at the same time minimizing diffraction effects and unwanted room interactions. Heavy internal bracing and carefully designed double-flared ports minimize unwanted contributions from the cabinet. The front panels are coated with multiple coats of attractive satin-finish black lacquer, which looks elegant while resisting fingerprints and scratches, and the sides are covered with tough, good looking textured black vinyl. And, for those of you who prefer to keep their technology under wraps, all of our new Airmotiv X Series speakers include removable grilles.

All of the speakers in our new Airmotiv X Series are carefully timbre-matched, so you can feel free to mix and match whichever models are most appropriate to your particular installation requirements.

The Airmotiv XT1, XT2, and XT3 towers have sufficiently extended bass response to be used without a subwoofer for stereo music. The Airmotiv XB2 bookshelf monitor offers a well-balanced sound, and may also be used without a subwoofer; although, for home theater applications where prodigious amounts of bass are required, we recommend a subwoofer. The Airmotiv XC1, XC2, and XC3 are superb quality center channel speakers, which deliver crystal clear easily intelligible dialog. The Airmotiv XA2 can be securely mounted on either wall or ceiling with our new Easy-Secure mounting bracket.

Happy listening!
The Emotiva Team

About This Manual

This manual will provide you with all the information you need to achieve great performance, accurate sound, and many years of reliable service from your Airmotiv speakers.

We suggest that you read through the entire manual; we kept things as short and direct as possible. Even if you're an expert user, you will probably find some interesting information and useful suggestions.

If you're really in a hurry to get started, please read the Quick Start section (on page 16); you may then read the remainder of the manual at your leisure.

You may wish to record serial numbers or other purchase information on the Notes page at the back of this manual.

Features

The Emotiva Airmotiv X Series speakers were designed to deliver superb sound for any audiophile stereo or home theater sound system. When paired with any high-quality power amplifier, all of the Airmotiv speakers will deliver clean, uncolored, properly balanced sound with very low distortion and outstanding rendition of even the finest details. All of the speakers in the Airmotiv X Series were carefully timbre matched to work well together, and to deliver a cohesive audio image in any stereo or surround sound installation.

The following are a few of the feature highlights of the entire line of Airmotiv X Series speakers:

- **Airmotiv™ high-frequency transducers** - deliver flat frequency response, low distortion, virtually nonexistent signal compression, smooth off-axis response, superb transparency, and uncanny imaging.
- **Advanced woven fiber midrange transducers** - deliver smooth frequency response, and lifelike, detailed midrange with very low coloration.
- **Advanced woven fiber low-frequency transducers** - with high-temperature voice coils and vented pole pieces - deliver clean, crisp bass at all listening levels.
- **Heavily braced, acoustically inert, HDF cabinets** - eliminated unwanted vibrations that might otherwise color the sound.
- **Contoured low-diffraction trim rings** - around each driver offer an elegant appearance while minimizing edge diffraction.
- **Double-flared heavy-duty tuned ports** - optimize bass response and damping while preventing unwanted port noise.
- **Tough yet attractive exterior** - several coats of satin-finish lacquer give the front bezel of the Airmotiv X Series speakers an elegant understated appearance, while a tough yet attractive vinyl covering protects the sides and rear from damage and fingerprints.
- **Removable grilles** - provide a convenient way to keep your technology under wraps, and are easily removed for cleaning - or for showing your Airmotiv X Series speakers off to your audiophile friends.
- **Use them with or without the removable grilles** - the front bezel on the Airmotiv X Series speakers is finished with an attractive satin finish black lacquer, so they look great with the grilles on or off; choose the look that fits your system and your room decor.
- **Precision crossovers** - carefully designed and optimized to work perfectly with the drivers in each Airmotiv speaker model - feature audiophile quality film capacitors, air core inductors, and precision resistors in critical locations.
- **Bi-amp terminals** - All of the Airmotiv X Series speakers (except the XA2) have bi-amping terminals that enable you to access the woofer and midrange/tweeter sections of the speaker separately for bi-amping or bi-wiring.
- **Easy-Secure Mounting System** - makes it simple to securely mount the Airmotiv XA2 either on the wall or on the ceiling.
- **Full five year warranty** - ensures that you'll be able to enjoy your speakers for years to come.

You can find more information about the Emotiva Airmotiv speakers at www.emotiva.com.

Unpacking

Your Airmotiv X Series loudspeakers were carefully packed and should reach you in perfect condition. If you notice any shipping damage or other issues when you unpack them, please contact Emotiva immediately.

Gently remove your Airmotiv loudspeakers from the packing carton and remove all wrappings and shipping material. Avoid pressing directly on the front of the drivers or dropping any bits of packing material into the port opening.

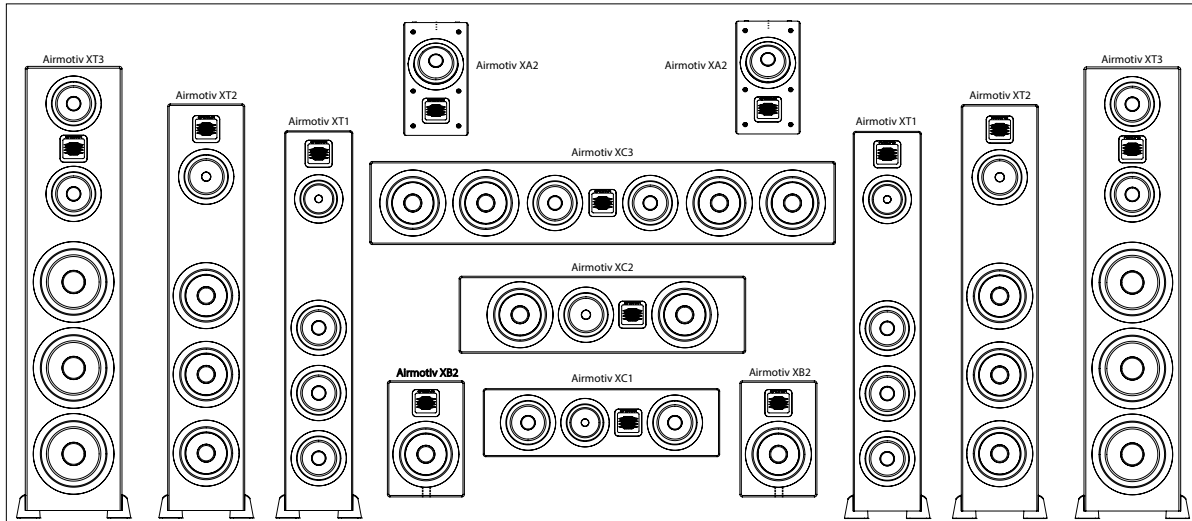
Be sure to locate all extra parts, such as detachable floor spikes and rubber feet, which may be stored in spaces in the packing material.

It is important to save the box and all packing materials in case your Airmotiv speakers ever need to be moved or shipped back to the factory for service.

Please keep your sales receipt in a safe place. It is the easiest way to verify your purchase date for warranty purposes, and may also be required if you ever have to file an insurance claim.

We truly value customer feedback and would like to hear from you.

Emotiva Airmotiv X Series Speakers



The Airmotiv X Series of loudspeakers is designed to deliver superb performance in any audiophile stereo or home theater sound system. The Airmotiv X Series includes a full selection of tower loudspeakers, center channels, surround speakers, and bookshelf monitors, each with slightly different capabilities... so we're sure you'll be able to find the perfect combination of Airmotiv X series speakers for your particular room and system.

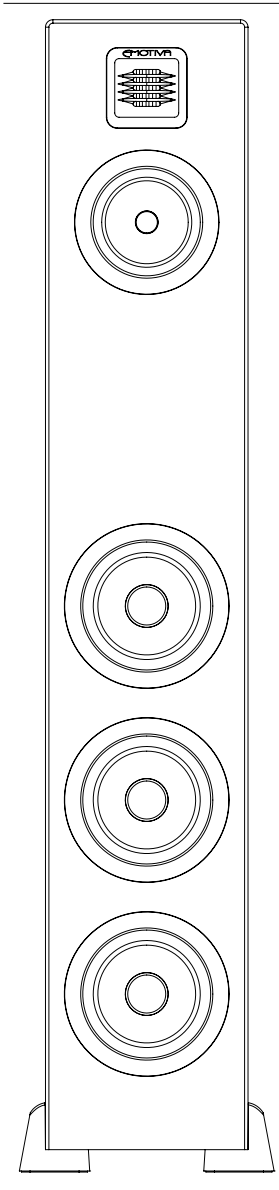
The Airmotiv XT1, XT2, and XT3 are full sized towers, perfect for any stereo system, or for the main channels in a superb home theater system, and deliver truly impressive performance, with or without a subwoofer. All three Airmotiv tower loudspeakers deliver smooth balanced sound; the main difference is in maximum output and extreme low bass extension.

The Airmotiv XC1, XC2, and XC3 are matching center channel loudspeakers, and are the ideal match for our Airmotiv tower loudspeakers in a full home theater system.

The Airmotiv XB2 is a compact full range monitor loudspeaker. The XB2 was designed to serve as a main speaker in a small high-quality stereo system, and is equally at home on a bookshelf or stand, and can deliver clean balanced sound on their own, or can be paired with a subwoofer. Of course the XB2 will also work great as a stand-mounted surround speaker in a home theater surround sound system.

The Airmotiv XA2 features our new Easy-Secure mounting system, which includes a solid steel mounting bracket, for simple but secure mounting on either wall or ceiling.

Airmotiv XT1



The Airmotiv XT1 is a three way, floor standing, tower loudspeaker, featuring a 28x32 mm Airmotiv folded ribbon tweeter, a 4-1/2 inch woven fiber midrange, and three 5-1/4 inch woven fiber woofers. The Airmotiv XT1 can be used in an audiophile stereo setup, or as a main front speaker in a home theater installation, or you could use Airmotiv XT1's all around in a high end home theater installation.

Driver Complement

High frequency driver: 28x32 mm Airmotiv folded ribbon tweeter.
 Midrange driver: 4-1/2 inch woven fiber cone.
 Low frequency drivers: 5-1/4 inch woven fiber cones (3).
 Cabinet type: Rear ported.

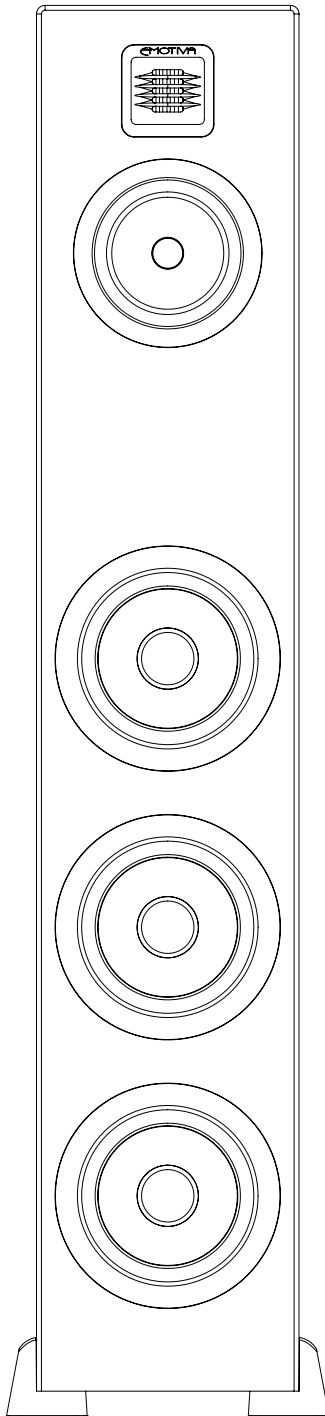
Electrical Specifications

Efficiency: 89 dB (2.83V/1m).
 Power handling: 150W continuous / 300W peak.
 Nominal impedance: 4 ohms.
 Frequency response: 45 Hz - 27 kHz (+3/-3 dB).
 Dual speaker terminals for bi-amping or bi-wiring.

Mechanical

Dimensions (without feet): 41-3/4" h x 7-1/2" w x 10" d.
 (add 3/4" h and 1-3/4" w for feet; add 1/4" for grill)
 Weight: 35 pounds.
 Mounting: Permanently attached outrigger feet with rubber pads (detachable adjustable spikes included).
 Grille: Black cloth over a rigid frame; attaches securely with powerful magnets for easy removal.

Airmotiv XT2



The Airmotiv XT2 is a three way, floor standing, tower loudspeaker, featuring a 28x32 mm Airmotiv folded ribbon tweeter, a 5-1/4 inch woven fiber midrange, and three 6 inch woven fiber woofers. The Airmotiv XT2 can be used in an audiophile stereo setup, or as a main front speaker in a home theater installation, or you could use a full set of Airmotiv XT2's as the basis of a really high end home theater installation.

Driver Complement

High frequency driver: 28x32 mm Airmotiv folded ribbon tweeter.
 Midrange driver: 5-1/4 inch woven fiber cone.
 Low frequency drivers: 6 inch woven fiber cones (3).
 Cabinet type: Rear ported.

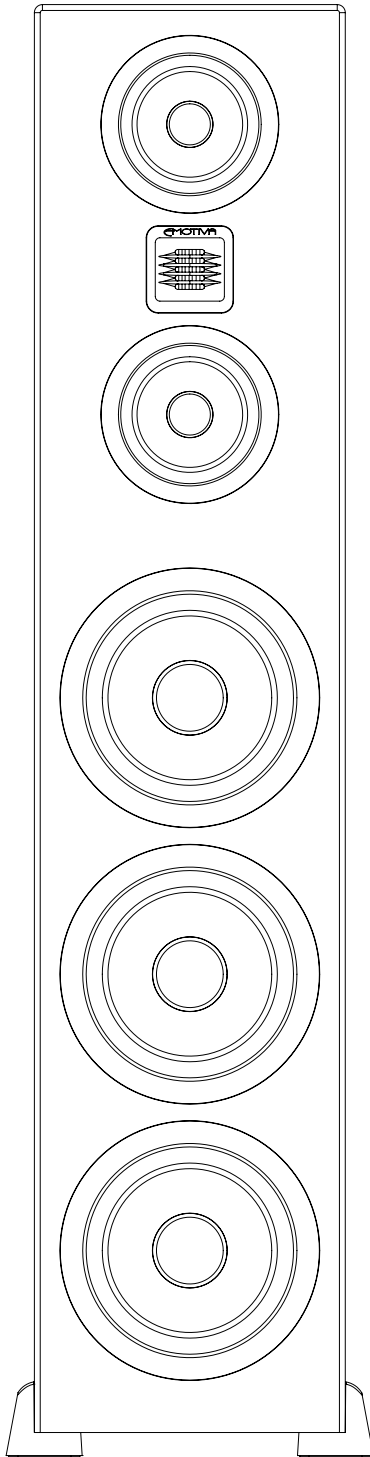
Electrical Specifications

Efficiency: 90 dB (2.83V/1m).
 Power handling: 200W continuous / 400W peak.
 Nominal impedance: 4 ohms.
 Frequency response: 40 Hz - 27 kHz (+3/-3 dB).
 Dual speaker terminals for bi-amping or bi-wiring.

Mechanical

Dimensions (without feet): 44-3/4"h x 8-1/2"w x 12-1/4"d.
 (add 3/4"h and 1-3/4"w for feet; add 1/4" for grill)
 Weight: 49 pounds.
 Mounting: Permanently attached outrigger feet with rubber pads (detachable adjustable spikes included).
 Grille: Black cloth over a rigid frame; attaches securely with powerful magnets for easy removal.

Airmotiv XT3



The Airmotiv XT3 is a three way, floor standing, tower loudspeaker, featuring a 28x32 mm Airmotiv folded ribbon tweeter, dual 5-1/4 inch woven fiber midranges, and three 8 inch woven fiber woofers. The Airmotiv XT3 can be used in an audiophile stereo setup, or as a main front speaker in a home theater installation, or you could use a full set of Airmotiv XT3's as the basis of an unsurpassed home theater installation.

Driver Complement

High frequency driver: 28x32 mm Airmotiv folded ribbon tweeter.
 Midrange drivers: 5-1/4 inch woven fiber cones (2).
 Low frequency drivers: 8 inch woven fiber cones (3).
 Cabinet type: Dual rear ports.

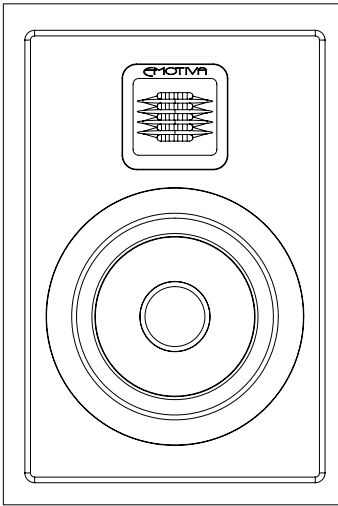
Electrical Specifications

Efficiency: 91 dB (2.83V/1m).
 Power handling: 250W continuous / 500W peak.
 Nominal impedance: 4 ohms.
 Frequency response: 30 Hz - 27 kHz (+3/-3 dB).
 Dual speaker terminals for bi-amping or bi-wiring.

Mechanical

Dimensions (without feet): 48-5/8" h x 10-3/4" w x 16-3/4"d.
 (add 3/4"h and 1-3/4"w for feet; add 1/4" for grill)
 Weight: 91 pounds.
 Mounting: Permanently attached outrigger feet with rubber pads (detachable adjustable spikes included).
 Grille: Black cloth over a rigid frame; attaches securely with powerful magnets for easy removal.

Airmotiv XB2



The Airmotiv XB2 is a two way monitor loudspeaker, equally at home on a sturdy bookcase or stand, featuring a 28x32 mm Airmotiv folded ribbon tweeter and a 6 inch woven fiber woofer. The Airmotiv XB2 is ideal for use in a small, high-quality two-channel system, and has plenty of low frequency output to sound great in a small room without the need for a subwoofer. The Airmotiv XB2 also works well as a surround speaker in a home theater system where you prefer not to use wall-mounted speakers.

Driver Complement

High frequency driver: 28x32 mm Airmotiv folded ribbon tweeter.

Low frequency driver: 6 inch woven fiber cone.

Cabinet type: Rear ported.

Electrical Specifications

Efficiency: 86 dB (2.83V/1m).

Power handling: 125W continuous / 200W peak.

Nominal impedance: 4 ohms.

Frequency response: 55 Hz - 27 kHz (+3/-3 dB).

Dual speaker terminals for bi-amping or bi-wiring.

Mechanical

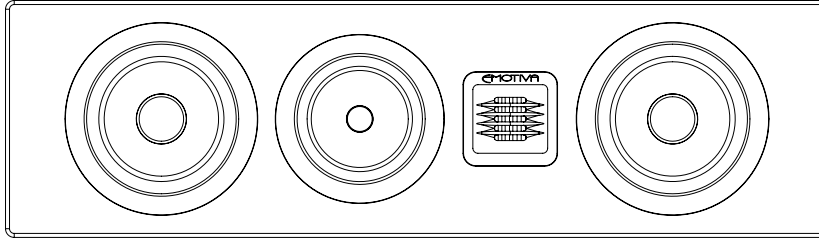
Dimensions: 12-7/8" h x 8-1/2" w x 11-1/4" d (add 1/4" for grill).

Weight: 18 pounds.

Mounting: Shelf or stand mounted.

Grille: Black cloth over a rigid frame; attaches securely with powerful magnets for easy removal.

Airmotiv XC1



The Airmotiv XC1 is a three way center channel loudspeaker, featuring a 28x32 mm Airmotiv folded ribbon tweeter, a 4-1/2 inch woven fiber midrange, and dual 5-1/4 inch woven fiber woofers. The Airmotiv XC1 is designed to be used as a center channel speaker in high end home theater installations.

Driver Complement

High frequency driver: 28x32 mm Airmotiv folded ribbon tweeter.

Midrange driver: 4-1/2 inch woven fiber cone.

Low frequency drivers: 5-1/4 inch woven fiber cones (2).

Cabinet type: Rear ported.

Electrical Specifications

Efficiency: 88 dB (2.83V/1m).

Power handling: 120W continuous / 250W peak.

Nominal impedance: 4 ohms.

Frequency response: 50 Hz - 27 kHz (+3/-3 dB).

Dual speaker terminals for bi-amping or bi-wiring.

Mechanical

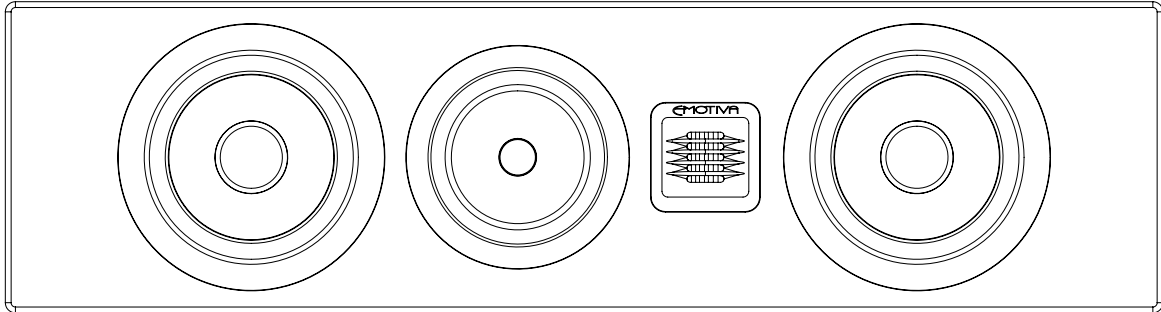
Dimensions: 7-1/2" h x 26" w x 9-1/2" d (add 1/4" for grill).

Weight: 25 pounds.

Mounting: Shelf or stand mounted.

Grille: Black cloth over a rigid frame; attaches securely with powerful magnets for easy removal.

Airmotiv XC2



The Airmotiv XC2 is a three way center channel loudspeaker, featuring a 28x32 mm Airmotiv folded ribbon tweeter, a 5-1/4 inch woven fiber midrange driver, and dual 6 inch woven fiber woofers. The Airmotiv XC2 is designed to be used as a center channel speaker in high end home theater installations.

Driver Complement

High frequency driver: 28x32 mm Airmotiv folded ribbon tweeter.

Midrange driver: 5-1/4 inch woven fiber cone.

Low frequency drivers: 6 inch woven fiber cones (2).

Cabinet type: Dual rear ports.

Electrical Specifications

Efficiency: 89 dB (2.83V/1m).

Power handling: 150W continuous / 300W peak.

Nominal impedance: 4 ohms.

Frequency response: 45 Hz - 27 kHz (+3/-3 dB).

Dual speaker terminals for bi-amping or bi-wiring.

Mechanical

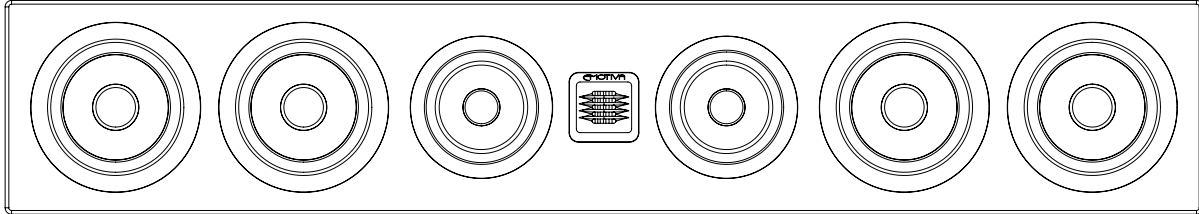
Dimensions: 8-1/2" h x 31-1/2" w x 10-1/4" d (add 1/4" for grill).

Weight: 37 pounds.

Mounting: Shelf or stand mounted.

Grille: Black cloth over a rigid frame; attaches securely with powerful magnets for easy removal.

Airmotiv XC3



The Airmotiv XC3 is a three way center channel loudspeaker, featuring a 28x32 mm Airmotiv folded ribbon tweeter, dual 5-1/4 inch woven fiber midrange drivers, and four 6 inch woven fiber woofers. The Airmotiv XC3 is designed to be used as a center channel speaker in high end home theater installations.

Driver Complement

High frequency driver: 28x32 mm Airmotiv folded ribbon tweeter.

Midrange driver: 5-1/4 inch woven fiber cones (2).

Low frequency drivers: 6 inch woven fiber cones (4).

Cabinet type: Dual rear ports.

Electrical Specifications

Efficiency: 90 dB (2.83V/1m).

Power handling: 200W continuous / 350W peak.

Nominal impedance: 4 ohms.

Frequency response: 40 Hz - 27 kHz (+3/-3 dB).

Dual speaker terminals for bi-amping or bi-wiring.

Mechanical

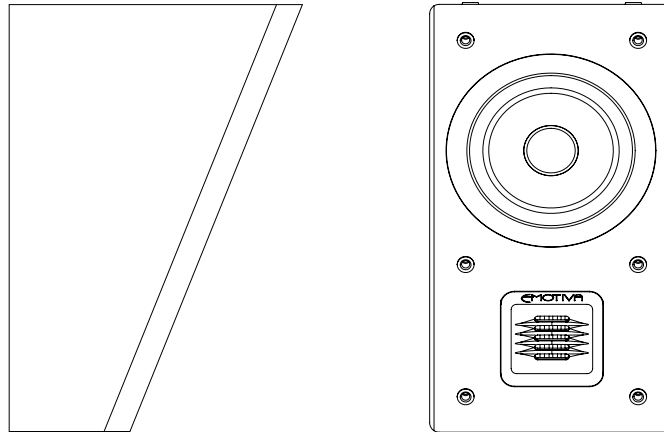
Dimensions: 9-1/4"h x 51-1/4"w x 12"d (add 1/4" for grill).

Weight: 64 pounds.

Mounting: Shelf or stand mounted.

Grille: Black cloth over a rigid frame; attaches securely with powerful magnets for easy removal.

Airmotiv XA2



The Airmotiv XA2 is a two way loudspeaker, featuring a 28x32 mm Airmotiv folded ribbon tweeter and a 5-1/4 inch woven fiber woofer, which can be used as a wall mounted direct firing surround sound or height channel speaker, or as a ceiling mounted direct firing height speaker.

The Airmotiv XA2 is designed to work perfectly with both standard surround sound systems, and the new immersive surround sound systems, like Dolby Atmos and DTS-X, in a wide variety of listening rooms.

Driver Complement

High frequency driver: 28x32 mm Airmotiv folded ribbon tweeter.

Low frequency driver: 5-1/4 inch woven fiber cone.

Cabinet type: Sealed.

Electrical Specifications

Efficiency: 86 dB (2.83V/1m).

Power handling: 80W continuous / 150W peak.

Nominal impedance: 4 ohms.

Frequency response: 95 Hz - 27 kHz (+3/-3 dB).

Mechanical

Dimensions: 12-1/2" long x 7-1/8" wide x 8-1/2" deep.

(add 1/4" for grill and 1/4" for mounting bracket)

Weight: 11 pounds.

Mounting: Easy-Secure mounting system, with solid steel mounting bracket, for secure attachment to wall or ceiling.

Grille: Black cloth over a rigid frame.

Quick Start

To get the most from your Emotiva Airmotiv X Series speakers, we urge you to read the entire manual. If you just can't wait to hear how great your Airmotiv speakers sound, this section will cover the basics you need to get started.

- Find secure locations for your Airmotiv loudspeakers.
- (The Airmotiv towers include both carpet spikes and rubber feet. Carpet spikes are recommended for use with carpeted floors, but may damage hardwood or tiled floors.)
- The Airmotiv XA2 may be mounted to a wall or ceiling. See the section entitled Mounting the Airmotiv XA2 for mounting instructions and cautions.
- The Airmotiv XB2, Airmotiv XC1, Airmotiv XC2, and Airmotiv XC3 should be positioned on an appropriate table, shelf, or speaker stand.

WARNING: The Airmotiv XC3 is both heavy and wide. If you are placing the XC3 on a stand or other surface that is too narrow to fully support its entire width make sure that whatever you choose is both strong enough to support the weight of the XC3 and stable enough to avoid the risk of tipping to either side.

- Connect your Airmotiv speakers to your power amp or receiver using good quality speaker cables.
- Find some music you really like to listen to.
- Enjoy!

While you're enjoying your Airmotiv X Series speakers, it would be a great time to read the rest of the manual to learn more about them.

Connections

Although the Airmotiv X Series speakers have no special connection requirements, the following suggestions may be helpful:

- Always use high-quality speaker wire of reasonable gauge (16 gauge or heavier)
- If you must use thinner wire, try to keep the length as short as possible
- Be careful to wire both (or all) speakers “in phase” (the plus/red terminal on each speaker to the plus/red terminal on your amp)
- Try to use wires of equal length and gauge for symmetrical pairs of speakers (don’t use a long 16 gauge wire for your Left Front and a short 10 gauge wire for the Right Front)
- If you use stranded cables, use care to avoid short circuits (from stray strands touching)
- Emotiva offers very high quality pre-made speaker cables at reasonable prices (you will find them in the Interconnects section of our website at www.emotiva.com)

Several of the Airmotiv speakers provide separate speaker terminals for the woofer and midrange/tweeter sections which allow them to be bi-wired or bi-amped. If you plan to bi-amp or bi-wire your Airmotiv speakers, be sure to remove the jumpers between the two sets of speaker terminals on the rear of the speaker before connecting your amplifier(s).

Speaker Placement

Speaker placement is often a compromise between optimum performance, personal preference, and site requirements. The optimum location for stereo speakers will depend on the speakers and the acoustics of your listening room. Many surround sound standards have specific recommendations about the optimum position for each speaker, and the different surround sound systems recommend slightly different locations. The important thing to remember is that each room is different, and so these recommendations should be considered to be guidelines rather than rules; you should always position your speakers where they sound the best to you, in your room, with your other equipment.

(In this section we're going to offer some recommendations you may try. However, we strongly recommend that you experiment, try several different locations, and pick the one that works best in your system.)

The Airmotiv XT1, XT2, and XT3 towers are intended to stand directly on the floor (with the carpet spikes or rubber feet), and should not be placed on top of other objects, stands, or furniture. The Airmotiv XB2 bookshelf monitors and Airmotiv XC1, XC2, and XC3 center channel speakers are intended to be positioned on speaker stands, tables, or shelves. When choosing a location for the XC3 in particular be sure to choose a location that can support the weight of the XC3 and that is stable enough to avoid tipping to the side.

The Airmotiv XA2 can be mounted on a wall or ceiling.

Guidelines for stereo speaker placement:

- For good imaging, always try to place speaker pairs in symmetrical locations (equidistant from side and back walls).
- Facing the speakers directly forward will tend to produce a wide sound stage; adding toe-in (so that the speakers directly face the listening position) will make the sound stage more focused.
- Moving the speakers further apart will make the sound stage wider, but may cause a gap in the center of the sound stage.
- Placing the speakers at least a few feet from front and side walls will usually improve imaging and smooth frequency response.
- Placing speakers close to room corners will usually boost bass, but often at the cost of making the bass more boomy and less smooth.
- If possible, try to make the room acoustically symmetrical from side to side; doing so will usually significantly improve imaging. (If you have something reflective, like a large window, on one side, have a large picture or bare wall on the other. If you have a large absorptive couch on one side wall, balance it with a tapestry on the opposite wall.)
- If possible, stereo speakers should be placed symmetrically, and the listening position located equidistant from both speakers.

- If bookshelf speakers like the Airmotiv XB2 are placed on a table or shelf, they will usually sound best if positioned at the front edge of the shelf (so sound doesn't reflect from a flat surface directly in front of them). If they must be placed towards the rear of a deep shelf, consider covering the surface directly in front of them with a felt pad or towel.

Guidelines for home theater / surround sound speaker placement:

- It's best to use speakers that all use similar technology, and that are "timbre matched" to each other. If this is impossible, then at least the front left, front right, and center speakers should be well matched.
- In a typical 5.1 channel installation, the surround speakers should be located directly to the sides of the primary listening position.
- In a typical 7.1 channel installation, the side surround speakers should be located to the sides, and slightly forward or behind the listener; the rear surrounds may be located on the rear wall, or far back on the side walls and angled forward.
- In a typical immersive surround sound system, the surround speakers are often mounted at or about the head height of a seated listener, and height speakers mounted either high on the wall or the ceiling.
- Remember that the goal is to produce a consistent sound stage that surrounds you, where sounds associated with moving objects move smoothly from left to right and from front to back.
- While many pre/pros and AVRs offer automatic room correction, you will get the best results if you start with your speakers in locations that offer good imaging and sound to begin with.

Mounting the Airmotiv XA2

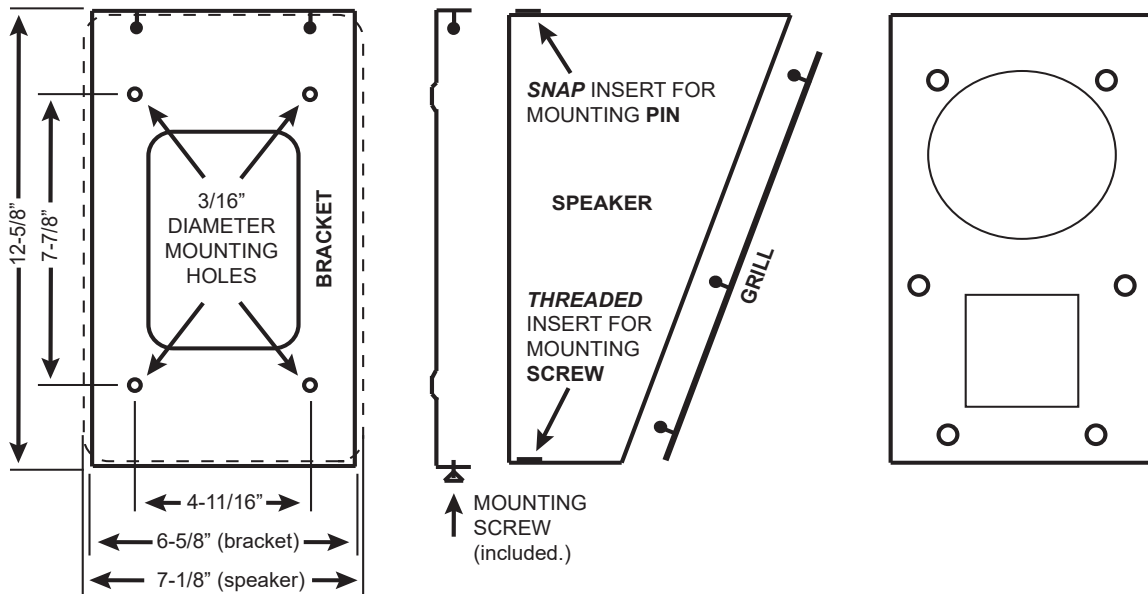
The Airmotiv XA2 may be mounted on either a wall or ceiling using the included Easy-Secure mounting bracket. When mounted on a wall the Airmotiv XA2 will usually be mounted above head height, near the ceiling, with the front of the speaker angled downwards toward the listener, and the tweeter towards the bottom. When mounted on the ceiling the XA2 should usually be angled toward the main listening location. Speakers on the left and right side of the listening position should be located and angled symmetrically if possible.

To mount the Airmotiv XA2 the Easy-Secure mounting bracket should be securely attached to a sufficiently strong wall or ceiling location. The combined weight of the Airmotiv XA2 and mounting bracket is approximately ten pounds. The customer is responsible for selecting and securing appropriate mounting hardware for their particular location.

In order to install the Airmotiv XA2 in the mounting bracket once the bracket has been firmly attached:

- First engage the MOUNTING PINS in the SNAP INSERTS on the top of the speaker. (The top of the speaker is the end nearest the mid-woofer.)
- Then swing the other end of the speaker into position and insert the included SCREWS through the mounting bracket and into the THREADED INSERTS in the bottom of the speaker. (The bottom of the speaker is the end nearest the tweeter.)

NOTE: BE SURE TO ORIENT THE AIRMOTIV XA2 SPEAKER PROPERLY RELATIVE TO THE MOUNTING BRACKET. If you force the mounting pins into the threaded inserts intended for the screws they may jam and cause damage to the mounting pins or the inserts.



Further Important Mounting Considerations (Airmotiv XA2)

Although the mounting bracket is made of heavy-gauge steel, the strength of the surface to which it is attached must always be considered.

- When mounting the Airmotiv XA2 on a drywall or similar wall we recommend using all four mounting holes and screws with appropriate fasteners.
- When mounting the Airmotiv XA2 to an internal stud, or something equally strong, in a wall or ceiling, using long screws in any two mounting holes will provide sufficient strength.
- If mounting the Airmotiv XA2 to the ceiling we recommend mounting it to a stud or equally strong mounting surface if at all possible. If mounting to a plaster or drywall ceiling, be sure that it is strong enough to support the weight of the XA2, and use appropriate butterfly bolts or similar connectors.
- If mounting the Airmotiv XA2 to a drop ceiling, we STRONGLY recommend adding a wood reinforcing panel of the same size above the ceiling tile, to transfer the weight to the support grid. Safety regulations also require that you add a steel safety cable that is securely affixed to a sufficiently secure point above.

Care and Maintenance

Periodic Maintenance

Your Airmotiv X Series loudspeakers require no periodic maintenance or calibration.

Cleaning the Cabinet and Baffle

- The cabinets of the Airmotiv loudspeakers should normally be cleaned with a rag dampened with plain water. **DO NOT** spray water directly onto or into the speaker and **DO NOT** use abrasive or chemical cleaners. Gently dry the surface with a clean soft rag after cleaning.
- If necessary, use a mild detergent, wipe the surface with a rag dampened with plain water afterwards to rinse it, and then gently dry the surface with a clean soft rag.
- If something nasty does get on the sides or top of your Airmotiv speaker, use a rag dampened with a weak solution of dish detergent or other mild cleaning liquid, followed by a rag dampened with plain water, and then dry with a clean rag.

Cleaning the Grill Cloth

- If necessary, the grill cloth may be carefully vacuumed to remove dust or hair.
- Animal hair may be removed by using a "tape" type lint remover or soft brush. Avoid using brushes with stiff bristles that may pull or damage the grill cloth.

Note: DO NOT use any sort of liquid or wet cloth on the midrange and woofer cones, and avoid touching the tweeter diaphragm with either your fingers or any sort of cleaning cloth or brush. DO NOT use a vacuum to clean the midrange and woofer cones or tweeter.

Emotiva Audio Corporation Limited Warranty

Emotiva Airmotiv X Series Loudspeakers include a five year non-transferable warranty.

For detailed information about the warranty, and instructions on how to request warranty service if you ever need it, please refer to the following link (or click on the QR code):

[emotiva.com/pages/warranty-information](https://www.emotiva.com/pages/warranty-information)



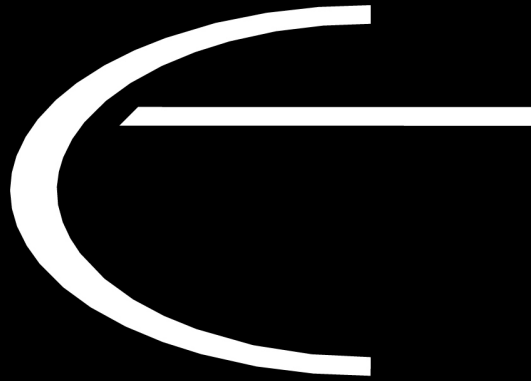
For more information about Emotiva and other fine Emotiva products please visit us at:

www.emotiva.com



Notes

All information contained in this manual is accurate to the best of our knowledge at the time of publication. In keeping with our policy of ongoing product improvement, we reserve the right to make changes to the design and features of our products without prior notice.



Emotiva Audio Corporation
135 Southeast Parkway Court
Franklin, TN 37064

www.emotiva.com