



BLS108 HV LOW PROFILE DIGITAL SERVO

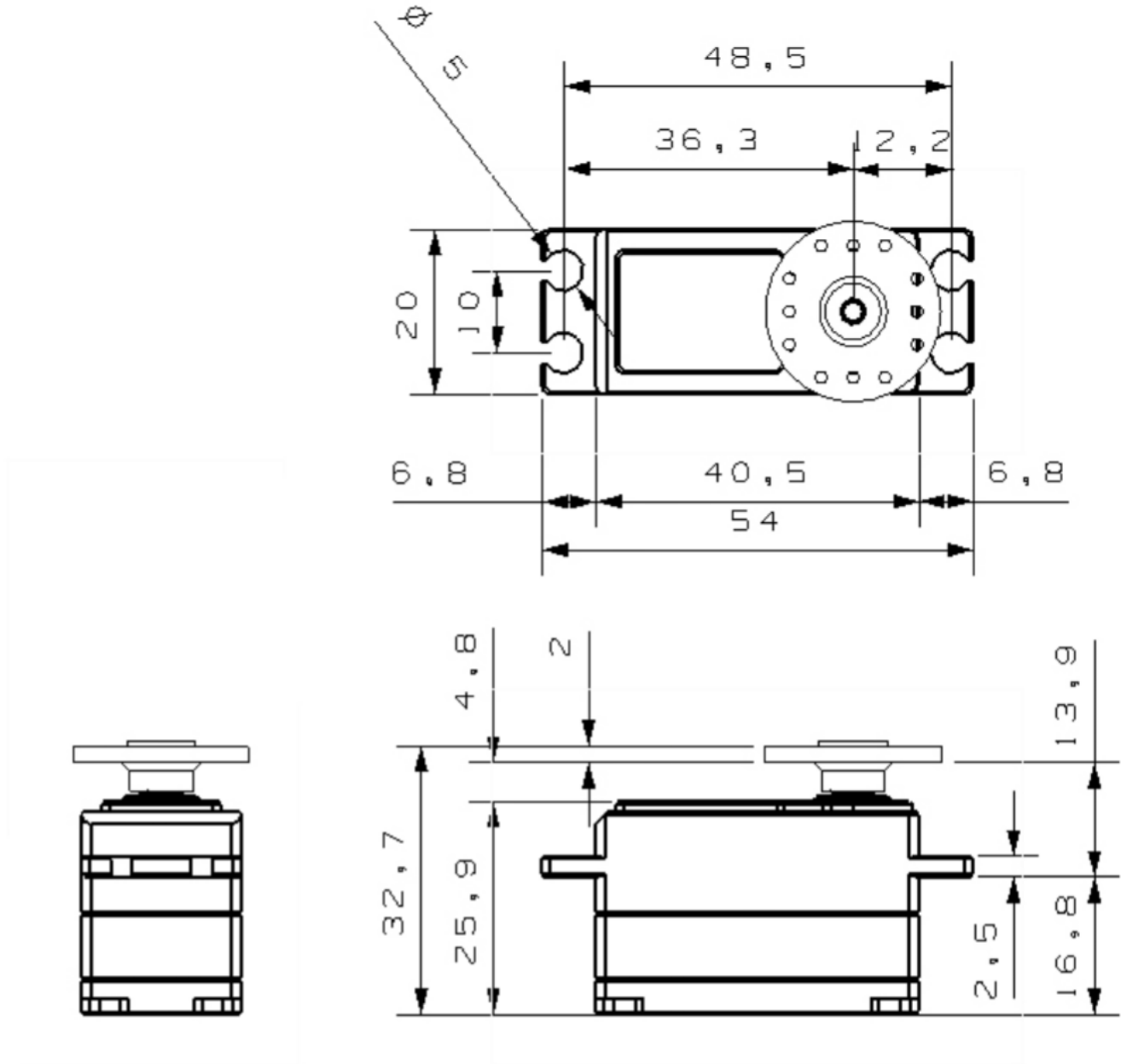
Control System	Positive PWM 1520us/333Hz ,900us-2100us	
Operating Voltage Range	4.8V ~ 7.4V	
Operating Temperature Range	-20C° ~ +90C° (-4°F ~ 194°F)	
Test Voltage:	4.8v-8.4v	
Stall Torque :@	DC: 4.8V	8kg/cm ,111.09 Oz/in
Stall Torque :@	DC: 6.0V-6.6V	10kg/cm,138.87 Oz/in
Stall Torque :@	DC: 7.4V-8.4V	13kg/cm,180.54 Oz/in
Speed:@	DC:4.8V	0.09 sec / 60° @ no load
Speed:@	DC:6.0V-6.6V	0.07 sec / 60° @ no load
Speed:@	DC:7.4v-8.4V	0.05sec / 60° @ no load
Idle Current	0.200A @ idle	
Running Current	0.380A @ no load	
Stall Current	0.970A-1.2A	
Dead band width	2 u/sec	
Operational Travel	45°/ one side pulse travel 400 u/sec	
Direction	Re-clock wise/ Pulse Travel 900u-2100 u/sec	
Motor Type	JAPANESE BRUSHLESS MOTOR	
Potentiometer Type	4 Slider/indirect drive	
Amplifier Type	6A Triple Power MOS-FET	
Dimensions	40 x 20.0 x 25 mm / 1.62 x 0.78 x 0.68 inch	
Weight:	55g / Oz without splined horn	
Ball Bearing	Dual / M10x6	
Gear Material	Heat treated hardened steel and brass	
Horn Gear Spline	Metal 25 Tooth (External diameter: 5.9mm)	
Connector Wire Length	300mm (9.85inch)	
Case material & Construction	Aluminum cnc	
Connector Wire Strand Counter	60EA	
Connector Wire Gauge	22AWG	
Wire Info (Black)	- Negative	
Wire Info (Red)	+ Positive	
Wire Info (White)	S Single	

Spare Parts Items

Servo Gear Set	<#8709-4> BLS-108 (Hardened steel and brass Gears)	
Servo Case Set	<#8709-5> BLS-108(CNC Outside case)top and bottom	
Servo Accessories	<#8709-6> BLS-108(Accessories – Horn, screws & rubber Grommets)	



BLS108 HV LOW PROFILE DIGITAL SERVO



Version: 1.1

Update: 2015/02/17

PRO AMPS
SERVOS

BLS108 HV LOW PROFILE DIGITAL SERVO

PRO AMPS
SERVOS



DIGITAL Brushless Low Profile

BLS 108 HV LP