

Date received: 13/06/17

Date of issue: 13/10/17

Report consists of 10 test reports.

Defects before testing: None

Sample name: BALI sunbed

3G RESINS, SOCIEDADE UNIPessoal LDA.
PARQUE INDUSTRIAL DAS CERDEIRINHAS 379
4850-429 VIEIRA DO MINHO ()
PT - PORTUGAL

SAMPLE N° 233936

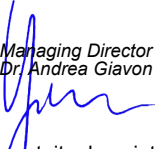
Overall dimensions: 720 x 2000 x 800 (h) mm

List performed tests:

1. Outdoor furniture - General safety requirements EN 581-1:2017
2. Loungers: seat and back static load test - reclining back rest EN 1728:2012+AC:2013
3. Loungers: additional seat and leg rest static load test EN 1728:2012+AC:2013
4. Loungers. Seat and back fatigue test - reclining back rest EN 1728:2012+AC:2013
5. Loungers: additional seat durability test EN 1728:2012+AC:2013
6. Loungers: durability test on back rest mechanism EN 1728:2012+AC:2013
7. Loungers: arm downwards static load test EN1728:2012+AC:2013
8. Loungers: arm fatigue test EN 1728:2012+AC:2013
9. Loungers: seat impact test EN 1728:2012+AC:2013
10. Loungers. Stability EN 581-2:2015



This document is validated by digital signature and time stamping in accordance with the Italian laws and the European Directives which regulate the electronic signature systems.

Managing Director
Dr. Andrea Giavon


The sample name and, when relevant, its description, are given by the orderer, and CATAS does not assume responsibility on this matter. This test report relates to the sample submitted for the test and no others. Additions, deletions or alterations are not permitted. This test report must always be reproduced in its entirety. Unless otherwise stated, sampling has been carried out by the orderer.

TEST REPORT

233936 / 1

Date received: 13/06/17

Date of test: 06/07/17

Date of issue: 13/10/17

Sample name: BALI sunbed



3G RESINS, SOCIEDADE UNIPESSOAL LDA.
PARQUE INDUSTRIAL DAS CERDEIRINHAS 379
4850-429 VIEIRA DO MINHO
PT - PORTUGAL

Outdoor furniture - General safety requirements EN 581-1:2017

5.1 General:

Requirement	Observed	Remarks
Edges of seat, back rest and arm rests rounded and chamfered	Yes	None
All other parts: free from burrs, sharp edges and sharp points.	Yes	None
Movable and adjustable parts designed so that injuries and inadvertent operation are avoided	Yes	None
Any load bearing part of furniture not come loose unintentionally	Yes	None
Lubricated parts are protected	Not present	None

5.2 Tubular components:

Requirement	Observed	Remarks
Absence of tubular components with diameter > 7 mm and < 12 mm with a depth > 10 mm.	Yes	None
Tubulars in contact with the floor are closed. Holes in them are allowed as long as they are < 7 mm or > 12 mm	Yes	None

5.3 Shear and squeeze points:

Requirement	Observed	Remarks
Shear and squeeze points that are created only during adjusting and folding away are acceptable if the user has the control of his/her movements.	Not present	None
Absence of shear and squeeze points, created by parts operated by powered mechanism.	Not present	None
Absence of shear and squeeze points, created by loads applied during normal use.	Yes	None

Conformity to requirements of clause 5 of standard EN 581-1:2017:

YES

This document is validated by digital signature and time stamping in accordance with the Italian laws and the European Directives which regulate the electronic signature systems.

Managing Director
Dr. Andrea Giavon

TEST REPORT

233936 / 2

Date received: 13/06/17

Date of test: 06/07/17

Date of issue: 13/10/17

Sample name: BALI sunbed



3G RESINS, SOCIEDADE UNIPessoal LDA.
PARQUE INDUSTRIAL DAS CERDEIRINHAS 379
4850-429 VIEIRA DO MINHO
PT - PORTUGAL

Loungers: seat and back static load test - reclining back rest EN 1728:2012+AC:2013

Loungers: seat and back static load test clause 8.2

Back rest inclination: 38°

Test results:

Seat load N	Back rest force N	Number of cycles	Time of application	Back rest position	Remarks
2.000	560	5	10 s	Vertical	No defects
1.500	1.180	5	10 s	Reclined	
1.500	1.180	1	30 min	Reclined	No defects

Note:

The test has been carried out according to table 2 of EN 581-2:2015, contract level.

This document is validated by digital signature and time stamping in accordance with the Italian laws and the European Directives which regulate the electronic signature systems.

Managing Director
Dr. Andrea Giavon

The sample name and, when relevant, its description, are given by the orderer, and CATAS does not assume responsibility on this matter. This test report relates to the sample submitted for the test and no others. Additions, deletions or alterations are not permitted. This test report must always be reproduced in its entirety. Unless otherwise stated, sampling has been carried out by the orderer.

TEST REPORT

233936 / 3

Date received: 13/06/17

Date of test: 11/07/17

Date of issue: 13/10/17

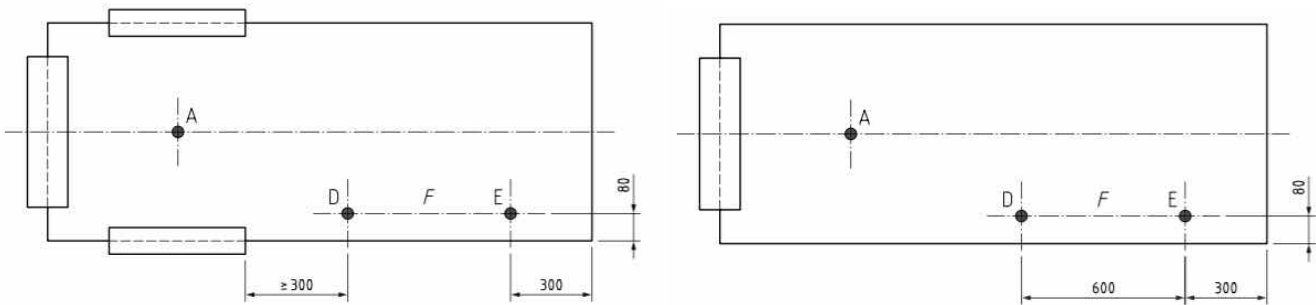
Sample name: BALI sunbed



3G RESINS, SOCIEDADE UNIPESSOAL LDA.
PARQUE INDUSTRIAL DAS CERDEIRINHAS 379
4850-429 VIEIRA DO MINHO
PT - PORTUGAL

Loungers: additional seat and leg rest static load test EN 1728:2012+AC:2013

Loungers: additional seat and leg rest static load test clause 8.3



Test results:

Force on point A N	Force between point D and E	Number of cycles	Time of application	Remarks
750	900	10	10 sec	No defects
750	900	1	30 min	No defects

Note:

The test has been carried out according to table 2 of EN 581-2:2015, contract level.

This document is validated by digital signature and time stamping in accordance with the Italian laws and the European Directives which regulate the electronic signature systems.

Managing Director
Dr. Andrea Giavon

The sample name and, when relevant, its description, are given by the orderer, and CATAS does not assume responsibility on this matter. This test report relates to the sample submitted for the test and no others. Additions, deletions or alterations are not permitted. This test report must always be reproduced in its entirety. Unless otherwise stated, sampling has been carried out by the orderer.

TEST REPORT

233936 / 4

Date received: 13/06/17

Date of test: 30/08/17

Date of issue: 13/10/17

Sample name: BALI sunbed



3G RESINS, SOCIEDADE UNIPESSOAL LDA.
PARQUE INDUSTRIAL DAS CERDEIRINHAS 379
4850-429 VIEIRA DO MINHO
PT - PORTUGAL

Loungers. Seat and back fatigue test - reclining back rest EN 1728:2012+AC:2013

Loungers: seat and back fatigue test, clause 8.4.1

Back rest inclination: 38°

Test results:

Seat force N	Back force N	Number of cycles	Back rest position	Remarks
1.000	333	25.000	Vertical	No defects
750	590	25.000	Reclined	No defects

Total cycles: 50.000

Note:

The test has been carried out according to table 2 of EN 581-2:2015, contract level.

This document is validated by digital signature and time stamping in accordance with the Italian laws and the European Directives which regulate the electronic signature systems.

Managing Director
Dr. Andrea Giavon

TEST REPORT

233936 / 5

Date received: 13/06/17

Date of test: 16/09/17

Date of issue: 13/10/17

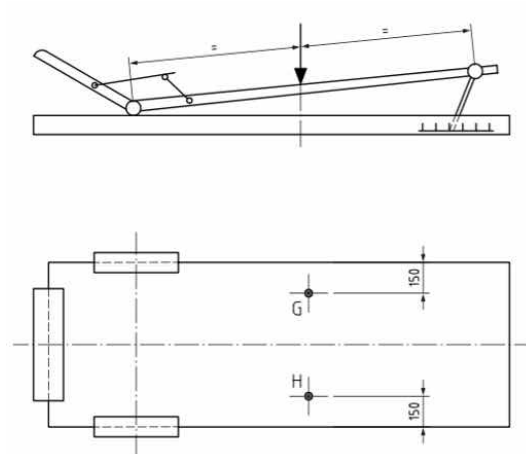
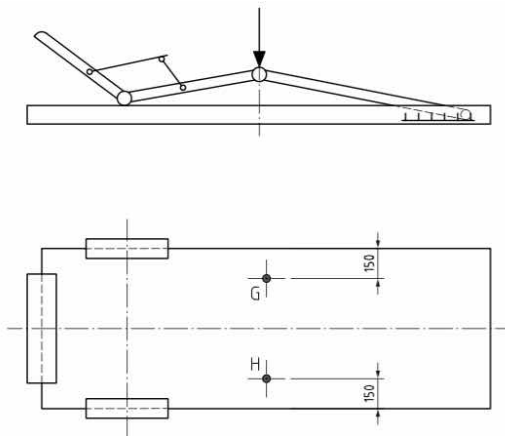
Sample name: BALI sunbed



3G RESINS, SOCIEDADE UNIPessoal LDA.
PARQUE INDUSTRIAL DAS CERDEIRINHAS 379
4850-429 VIEIRA DO MINHO
PT - PORTUGAL

Loungers: additional seat durability test EN 1728:2012+AC:2013

Loungers: additional seat durability test, clause 8.4.2



Test results:

Vertical force in points G and H N	Number of cycles per point	Remarks
1.000	20.000	No defects

Total cycles: 40.000

Note:

The test has been carried out according to table 2 of EN 581-2:2015, contract level.

This document is validated by digital signature and time stamping in accordance with the Italian laws and the European Directives which regulate the electronic signature systems.

Managing Director
Dr. Andrea Giavon

TEST REPORT

233936 / 6

Date received: 13/06/17

Date of test: 27/09/17

Date of issue: 13/10/17

Sample name: BALI sunbed



3G RESINS, SOCIEDADE UNIPESSOAL LDA.
PARQUE INDUSTRIAL DAS CERDEIRINHAS 379
4850-429 VIEIRA DO MINHO
PT - PORTUGAL

Loungers: durability test on back rest mechanism EN 1728:2012+AC:2013

Loungers: durability test on back rest mechanism, clause 8.5

Test results:

Mass on the seat kg	Back force N	Number of cycles	Remarks
100	250	20.000	Non defetcs

Note:

The test has been carried out according to table 2 of EN 581-2:2015, contract level.

This document is validated by digital signature and time stamping in accordance with the Italian laws and the European Directives which regulate the electronic signature systems.

Managing Director
Dr. Andrea Giavon

The sample name and, when relevant, its description, are given by the orderer, and CATAS does not assume responsibility on this matter. This test report relates to the sample submitted for the test and no others. Additions, deletions or alterations are not permitted. This test report must always be reproduced in its entirety. Unless otherwise stated, sampling has been carried out by the orderer.

TEST REPORT

233936 / 7

Date received: 13/06/17

Date of test: 03/10/17

Date of issue: 13/10/17

Sample name: BALI sunbed



3G RESINS, SOCIEDADE UNIPessoal LDA.
PARQUE INDUSTRIAL DAS CERDEIRINHAS 379
4850-429 VIEIRA DO MINHO
PT - PORTUGAL

Loungers: arm downwards static load test EN1728:2012+AC:2013

Loungers: arm downwards static load test, clause 8.6

Test results:

Vertical force N	Number of applications	Remarks
900	10	No defects

Note:

The test has been carried out according to table 2 of EN 581-2:2015, contract level.

This document is validated by digital signature and time stamping in accordance with the Italian laws and the European Directives which regulate the electronic signature systems.

Managing Director
Dr. Andrea Giavon

The sample name and, when relevant, its description, are given by the orderer, and CATAS does not assume responsibility on this matter. This test report relates to the sample submitted for the test and no others. Additions, deletions or alterations are not permitted. This test report must always be reproduced in its entirety. Unless otherwise stated, sampling has been carried out by the orderer.

TEST REPORT

233936 / 8

Date received: 13/06/17

Date of test: 03/10/17

Date of issue: 13/10/17

Sample name: BALI sunbed



3G RESINS, SOCIEDADE UNIPessoal LDA.
PARQUE INDUSTRIAL DAS CERDEIRINHAS 379
4850-429 VIEIRA DO MINHO
PT - PORTUGAL

Loungers: arm fatigue test EN 1728:2012+AC:2013

Loungers: arm fatigue test, clause 8.7

Test results:

Force on arm rest N	Number of cycles	Remarks
400	30.000	No defects

Note:

The test has been carried out according to table 2 of EN 581-2:2015, contract level.

This document is validated by digital signature and time stamping in accordance with the Italian laws and the European Directives which regulate the electronic signature systems.

Managing Director
Dr. Andrea Giavon

TEST REPORT

233936 / 9

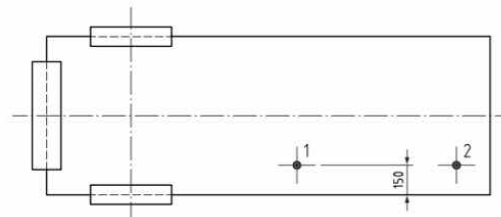
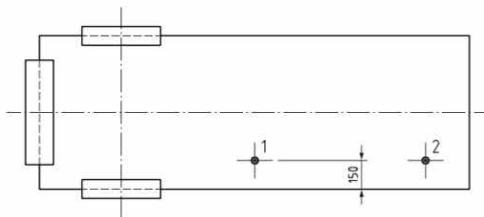
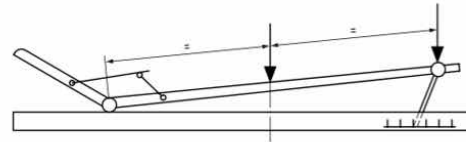
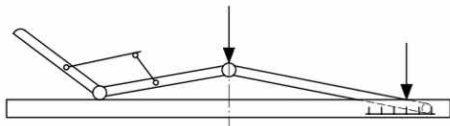
Date received: 13/06/17
Date of test: 11/10/17
Date of issue: 13/10/17
Sample name: BALI sunbed



3G RESINS, SOCIEDADE UNIPessoal LDA.
PARQUE INDUSTRIAL DAS CERDEIRINHAS 379
4850-429 VIEIRA DO MINHO
PT - PORTUGAL

Loungers: seat impact test EN 1728:2012+AC:2013

Loungers: seat impact test, clause 8.8



Test results:

Mass of impactor kg	Height of drop mm	Number of drops	Remarks
25	240	10	No defects

Note:

The test has been carried out according to table 2 of EN 581-2:2015, contract level.

This document is validated by digital signature and time stamping in accordance with the Italian laws and the European Directives which regulate the electronic signature systems.

Managing Director
Dr. Andrea Giavon

TEST REPORT

233936 / 10

Date received: 13/06/17

Date of test: 11/10/17

Date of issue: 13/10/17

Sample name: BALI sunbed



3G RESINS, SOCIEDADE UNIPESSOAL LDA.
PARQUE INDUSTRIAL DAS CERDEIRINHAS 379
4850-429 VIEIRA DO MINHO
PT - PORTUGAL

Loungers. Stability EN 581-2:2015

Stability EN 581-2:2015, annex A

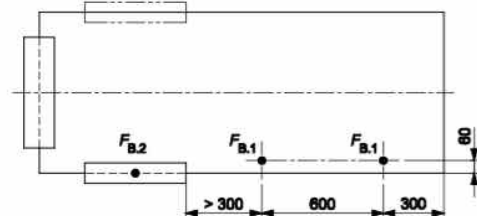
Sideways stability, annex A, clause A.1.1

Loungers with arm rests:

Force in F_{B1}: 600 N

Force in F_{B2}: 250 N

Time of application: 5 sec



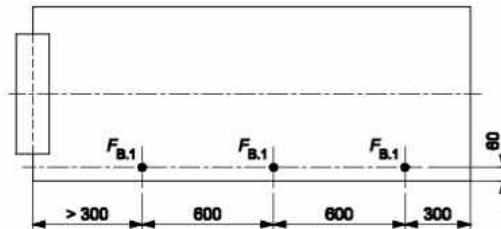
Remarks:

The lounge does not overbalance

Loungers without arm rests:

Force in F_{B1}: /

Time of application: /

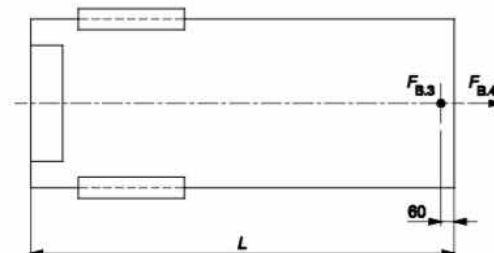


Remarks: /

Forward stability, annex A, clause A.1.2

Force in F_{B3}: 600 N

Time of application: /



Remarks:

The lounge overbalances with vertical force only

This document is validated by digital signature and time stamping in accordance with the Italian laws and the European Directives which regulate the electronic signature systems.

Managing Director
Dr. Andrea Giavon

TEST REPORT **233936 / 10**
Date of issue: 13/10/17
Sample name: BALI sunbed**Rearwards stability, EN 1022:2005**

Fixed back chair, clause 6.6

Horizontal force : 207 N does not overturn

Chair with back rest inclination, clause 7.5

Loading discs on the seat : 3

Loading discs on the back : 8 does not overturn

Remarks:

The lounge does not overbalance