



CARALARGA



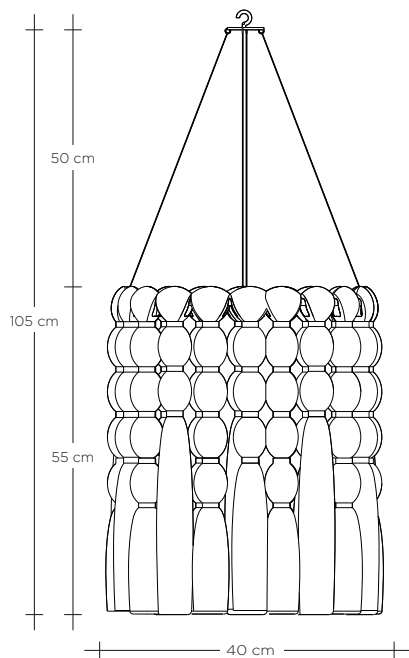
INSTALATION MANUAL
CHANDELIER



General Information

PIECE: CARALARGA CHANDELIER

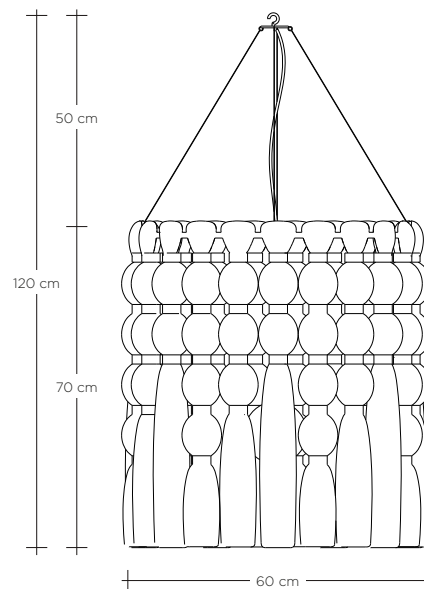
MATERIALS: 100% raw cotton thread, colored cotton thread, paper maché spheres, mounted on a blacksmith structure.



SMALL

40cm x 105cm

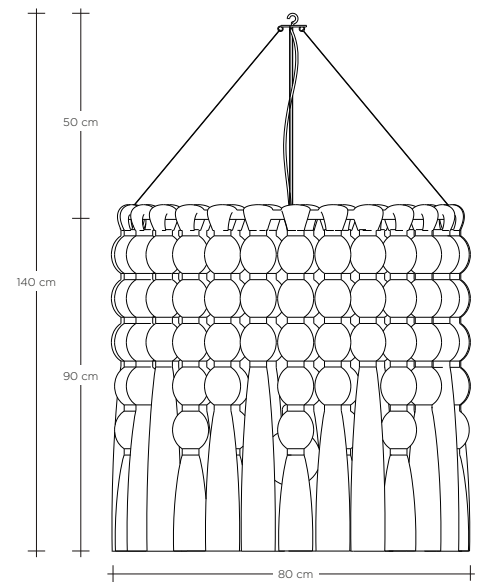
12 kg. / 26.5 lb.



MEDIUM

60cm x 120cm

20 kg. / 44 lb.



LARGE

80cm x 140cm

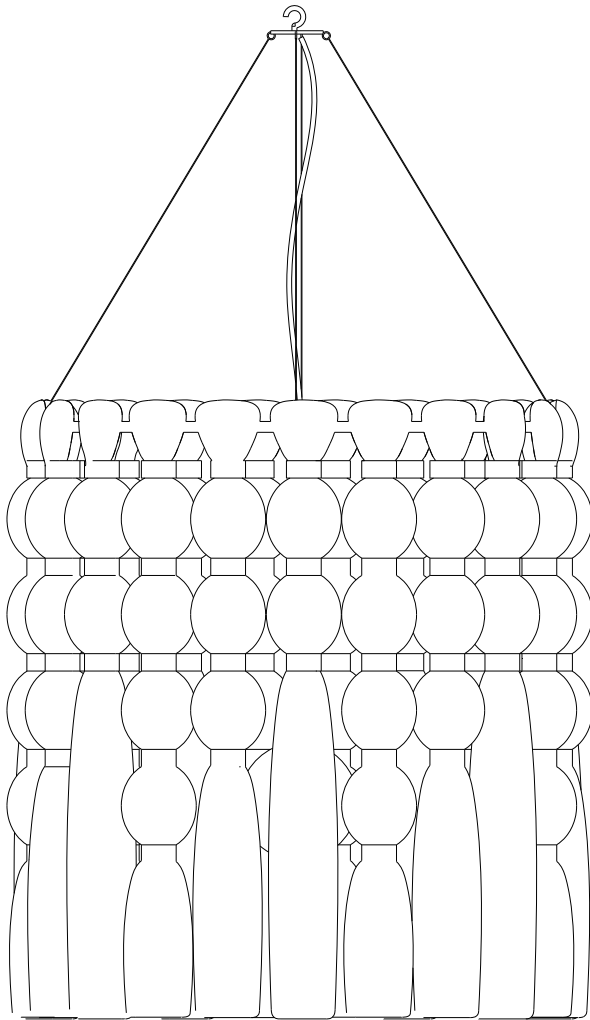
30 kg. / 60 lb.

ATTENTION

Take into consideration the weight of the chandeliers for the material of the ceiling from which it will hang. Consult an expert in case you need to reinforce the installation area.

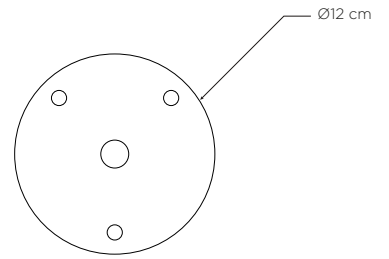
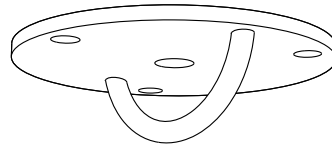


Components



X1

Ceiling mount



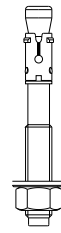
X1

Screw



X3

Wall Plug



X3



IMPORTANT!

This product must be installed by a professional. Before starting the installation, cut off the power supply.

ATTENTION

Caralarga chandeliers does not include electrical instalation for our costumers outside Mexico.

WHAT EQUIPMENT IS NEEDED?

- Drill
- Pencil
- Hammer
- Insulation tape
- Wide tooth comb or hairbrush

ELECTRICAL INSTALATION (our recommendation)

- Consult a profesional electrical installator
- One large LED bulb
- One socket
- Light cable max. 1 cm of diameter

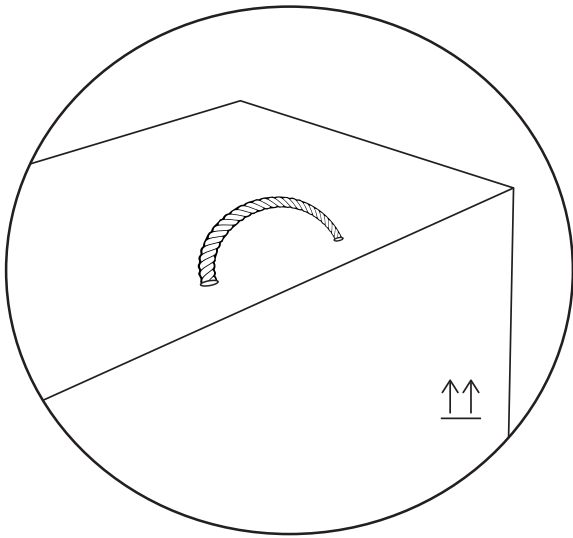
Small Chandelier 85cm

Medium Chandelier 90cm

Large Chandelier 105cm

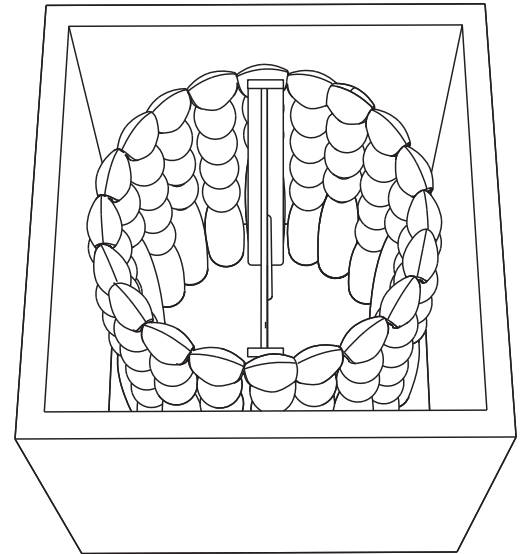


Installation Instructions

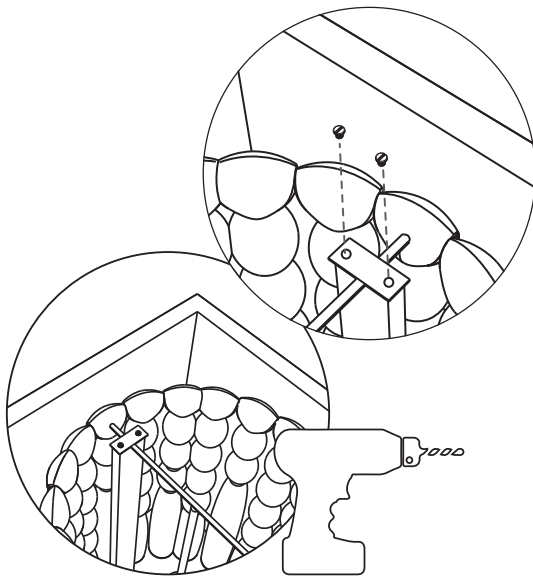


Picture 1

2. Once the box is in the installation place, carefully remove the cardboard cover to reveal the lamp and its wooden support.



Picture 2



Picture 3

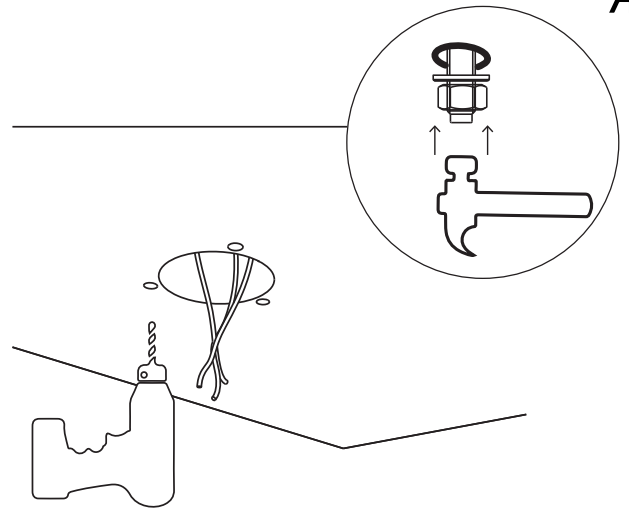
1. When receiving the box, it is important to check that it is placed face up with the cord at sight. It is recommended that it be transported by a forklift or with a crew due to its weight.

3. Once uncovered, remove all the screws from the outer wooden support to disassemble it (the screws are numbered according to the order in which they should be removed).

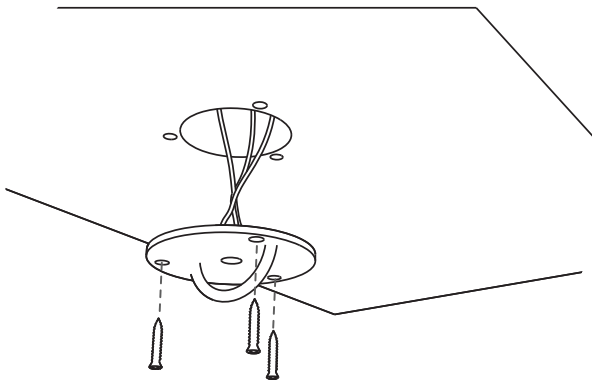


4. Place the ceiling base in the desired place and then mark with a pencil the points where it will be drilled. Drill the ceiling where it was previously marked.

Insert wall plugs into the ceiling (use a hammer if necessary).



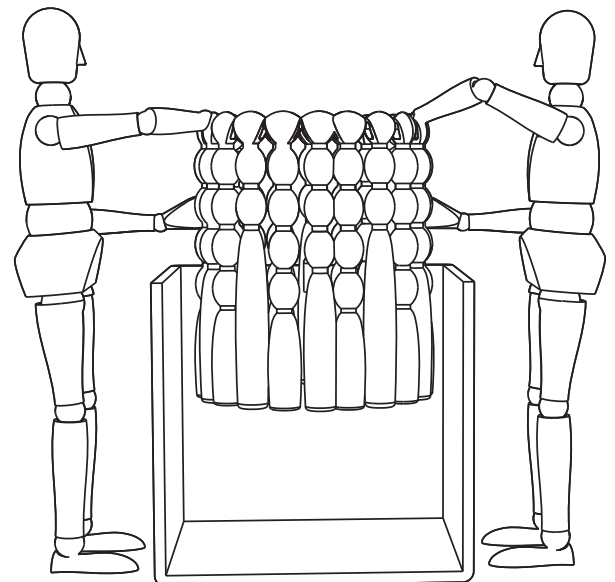
Picture 4



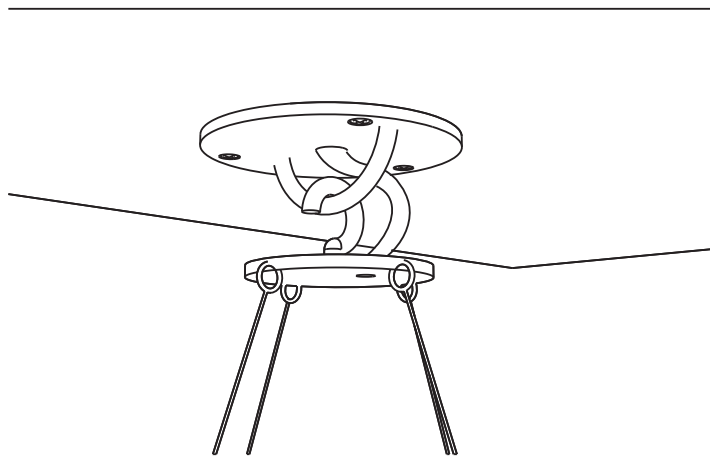
Picture 5

5. Extract the cables through the central hole of the base and screw the base to the ceiling.

6. Once the chandelier is ready to be installed, carefully load it with the help of a crew of at least two people.

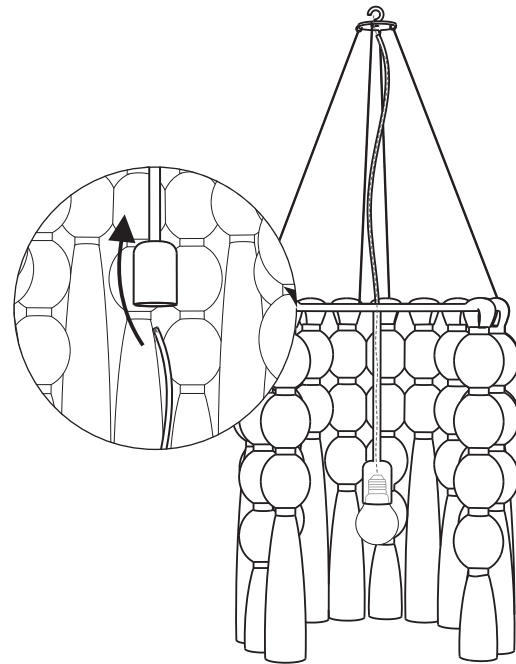


Picture 6



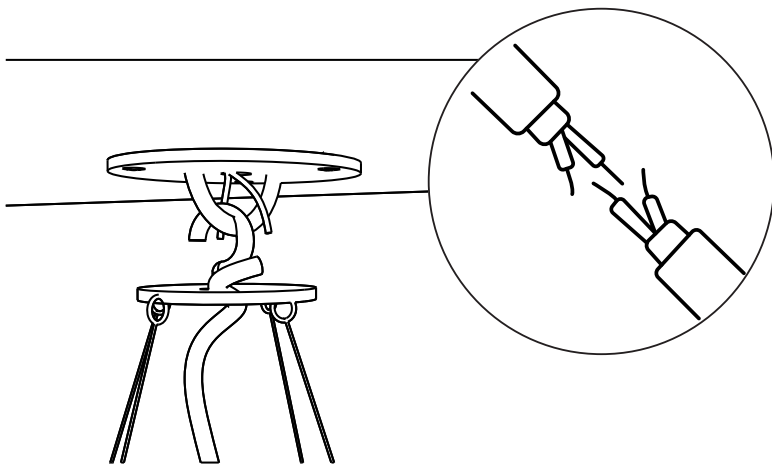
7. Attach the hook at the top of the lamp and assemble it to the ceiling base.

Picture 7



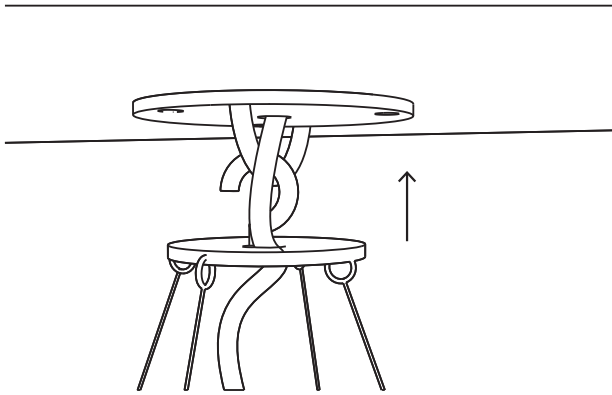
8. Insert the electrical wire through the bottom of the metal structure. Pass through the metal tube and cotton cord until you reach the ceiling base.

Picture 8



9. Make the electrical connection between the lamp and the junction box. It is recommended to secure the connection with insulating tape.

Picture 9

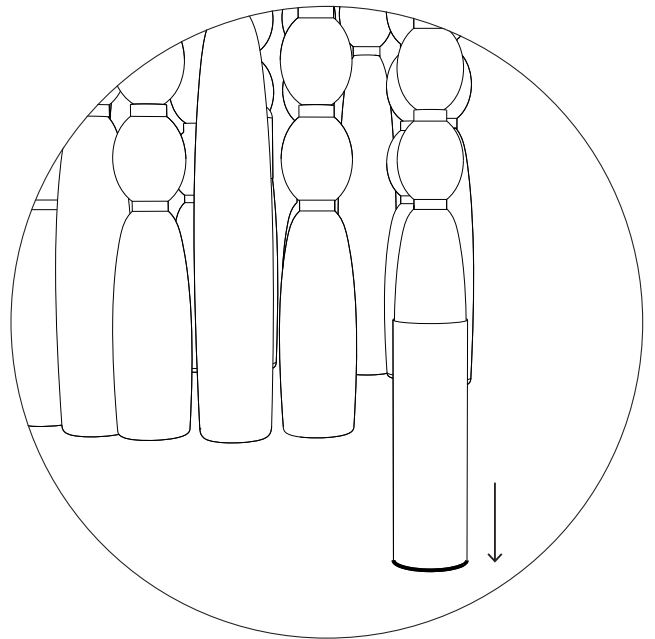


10. Hide the wiring by pushing it as far into the junction box.

Picture 10

11. When the chandelier is well assembled, remove the craft paper tubes from the raw cotton strands one by one.

Then, brush the cotton strands to give volume and you will have your Caralarga Chandelier ready!



Picture 11



Care Recomendations

The Caralarga pieces are made of 100% raw cotton thread, cotton yarn, sansevieria fiber, paper maché spheres, so they require some special care to keep in top condition.

Remove the piece from its box within a maximum period of 5 days after receiving it, since the cotton thread cannot remain stored in humid places, as the humidity damages the quality of the fiber.

Install the piece out of direct sunlight and keep away from exposure to rain and moisture.

Brush the cotton threads with a wide tooth comb or a small brush at least every six months.

To clean the piece, use a clean and dry cloth, in case it gets stained.

Carefully vacuum the piece every four months to remove any dust that may accumulate.



CARALARGA