

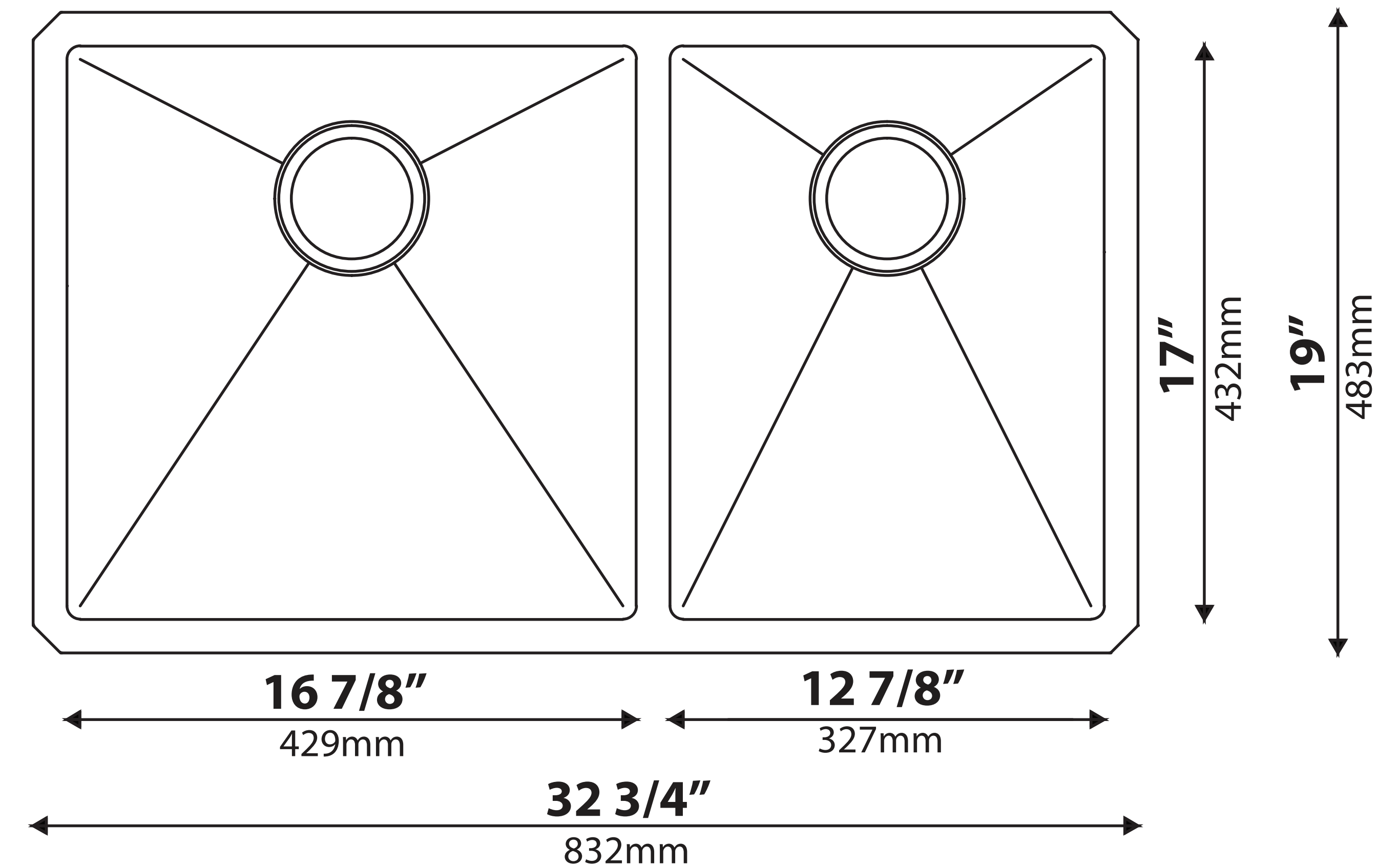
# Kräus®

www.kraususa.com

**Model No.  
KHU103-33**

Pro Hotline: 516.801.8955

Customer Service: 800.775.0703



**NOTE:** Cutout template is provided as a guide **ONLY** and must be checked against actual sink to verify correct fit.

Please cut along inner perforated line for negative reveal  $\frac{1}{8}''$

Please tear solid line for zero / flushed reveal

Please use outer perforated edge for positive reveal  $\frac{3}{8}''$