

PRODUCT SPECIFICATIONS

Elkay 1-15/16" x 2-5/8" x 2-5/8" Soap / Lotion Dispenser. Overall dimensions are 2-5/8" x 2-3/16" x 11-1/2". Made of Brass.

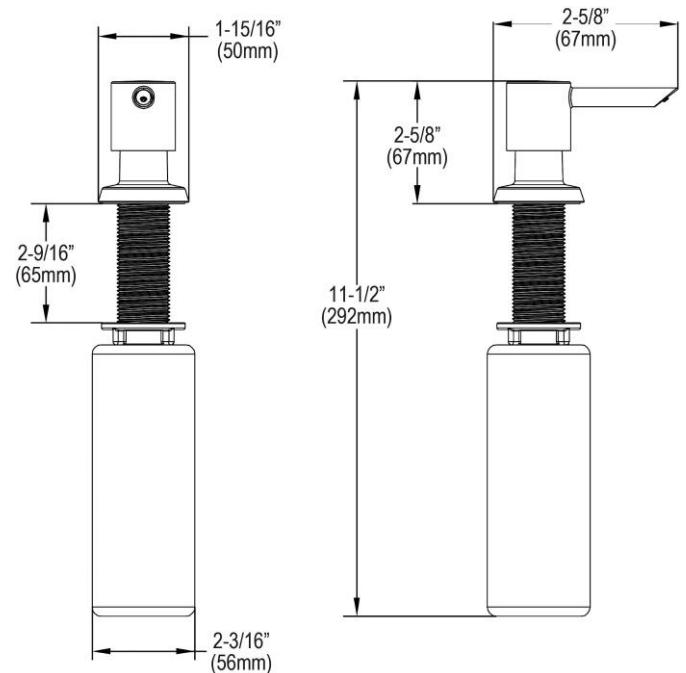
Material:	Brass
Finish:	Black Stainless (BK), Chrome (CR), Lustrous Steel (LS), Matte Black (MB)
Dimensions:	2-5/8" x 2-3/16" x 11-1/2"
Shipping Weight:	1 lbs.

- Deluxe plunger type dispenser for liquid soap or hand lotion.
- Plastic concealed 1/2 liter container fills from top.
- Overall height: 2-5/8", Spout reach: 2-5/8".



AMERICAN PRIDE. A LIFETIME TRADITION.
Like your family, the Elkay family has values and traditions that endure. For almost a century, Elkay has been a family-owned and operated company, providing thousands of jobs that support our families and communities.

[Clean and Care Manual \(PDF\)](#)
[Installation Instructions \(PDF\)](#)
[Warranty \(PDF\)](#)



PART: _____ QTY: _____
 PROJECT: _____
 CONTACT: _____
 DATE: _____
 NOTES: _____
 APPROVAL: _____

In keeping with our policy of continuing product improvement, Elkay reserves the right to change product specifications without notice. Please visit elkay.com for the most current version of Elkay product specification sheets. This specification describes an Elkay product with design, quality, and functional benefits to the user. When making a comparison of other producers' offerings, be certain these features are not overlooked.