

PRODUCT SPECIFICATIONS

Elkay Crosstown® Stainless Steel 32-1/2" x 20-1/2" x 9", Offset Double Bowl Undermount Sink with Water Deck. Sink is manufactured from 18 gauge 304 Stainless Steel with a Polished Satin finish, Rear Center drain placement, and Sound Guard.

| | |
|------------------------------|----------------------------|
| Installation Type: | Undermount |
| Material: | 304 Stainless Steel |
| Special Features: | Water Deck |
| Finish: | Polished Satin |
| Gauge: | 18 |
| Sound Deadening: | Sound Guard |
| Number of Bowls: | 2 |
| Sink Dimensions: | 32-1/2" x 20-1/2" x 9" |
| Bowl 1 Dimensions: | 16" x 19" x 9" |
| Bowl 2 Dimensions: | 14" x 16" x 9" |
| Drain Size: | 3-1/2" (89mm) |
| Drain Location: | Rear Center |
| Minimum Cabinet Size: | 36" |
| Mounting Hardware: | Part # 1000003505 included |
| Template Included: | Yes |
| Cutout Template #: | 1000003458 |

Template is available for download at elkay.com



AMERICAN PRIDE. A LIFETIME TRADITION.
Like your family, the Elkay family has values and traditions that endure. For almost a century, Elkay has been a family-owned and operated company, providing thousands of jobs that support our families and communities.

Product Compliance: ASME A112.19.3/CSA B45.4



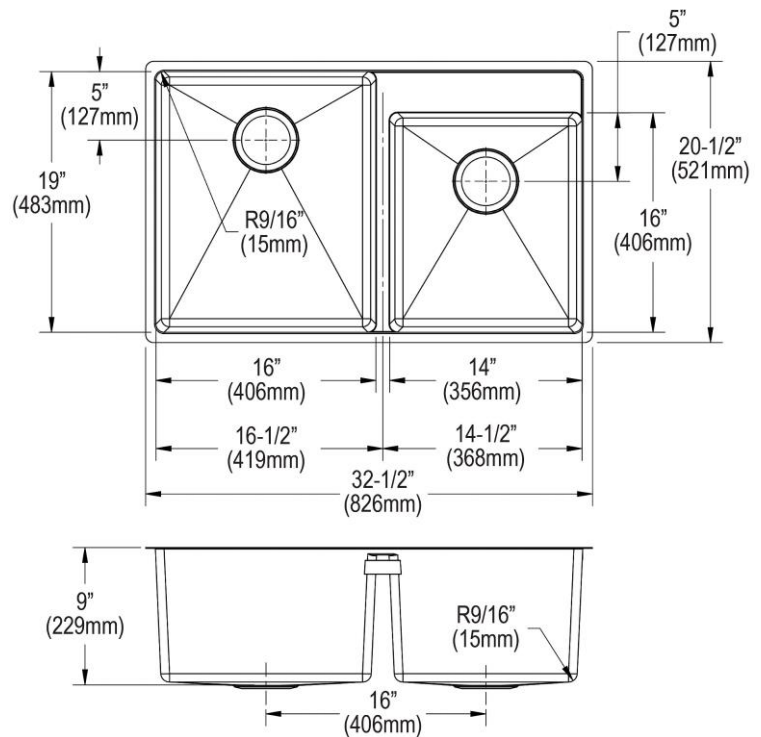
Sinks are listed by IAPMO® as meeting the applicable requirements of the Uniform Plumbing Code®, International Plumbing Code®, and National Plumbing Code of Canada.

[Clean and Care Manual \(PDF\)](#)

[Installation Instructions \(PDF\)](#)

[Limited Lifetime Warranty \(PDF\)](#)

Similar models are available with: bowl on the opposite side, included accessories (kit)



PART: _____ QTY: _____

PROJECT: _____

CONTACT: _____

DATE: _____

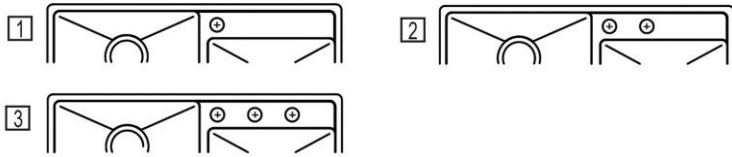
NOTES: _____

APPROVAL: _____

In keeping with our policy of continuing product improvement, Elkay reserves the right to change product specifications without notice. Please visit elkay.com for the most current version of Elkay product specification sheets. This specification describes an Elkay product with design, quality, and functional benefits to the user. When making a comparison of other producers' offerings, be certain these features are not overlooked.

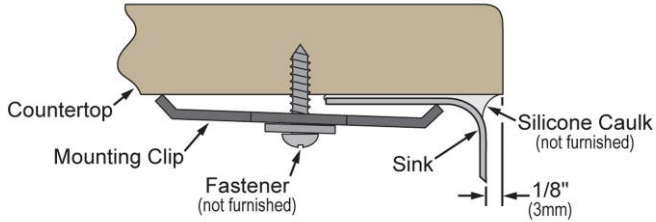
Hole Drilling Configurations:

1-1/2" (38mm) Diameter Faucet Holes



Installation Profile:

1/8" OVERHANG



Designed to affix to the underside of any solid surface countertop.

OPTIONAL ACCESSORIES

| | |
|------------------------|---|
| Bottom Grid: | GFOBG1619SS, GFOBG1416SS |
| Drain: | LKDD, LK35 |
| Faucet: | LK3000CR, LK3001CR, LK5000CR, LK5000LS |
| Sinkmate: | LKSMHSL |
| Soap Dispenser: | LK320 |

In keeping with our policy of continuing product improvement, Elkay reserves the right to change product specifications without notice. Please visit elkay.com for the most current version of Elkay product specification sheets. This specification describes an Elkay product with design, quality, and functional benefits to the user. When making a comparison of other producers' offerings, be certain these features are not overlooked.