



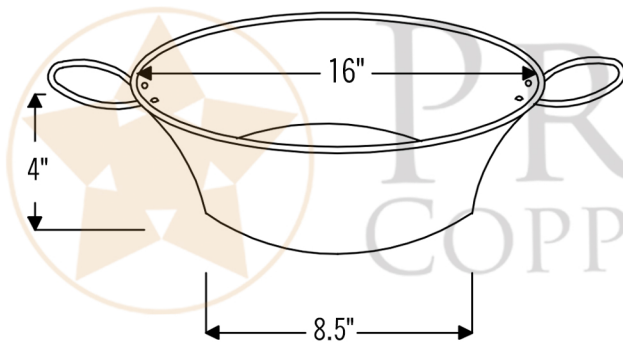
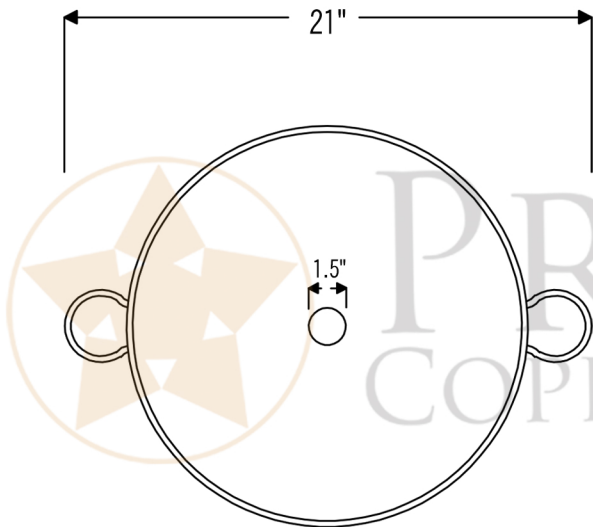
PREMIER
COPPER PRODUCTS

MODEL NUMBER: VR16MPPC

- * Description: Round Minors Pan Vessel Hammered Copper Sink in Polished Copper
- * Outer Dimension: 21" x 16" x 4" (with handles)
- * Outer Dimension: 16" x 4" (without handles)
- * Bottom Dimension: 8.5"
- * Drain Opening: 1.5"
- * Finish: Polished Copper

CODE/STANDARD COMPLIANCE

* IAPMO/cUPC LISTED



THIS PRODUCTS IS HAND CRAFTED, SMALL VARIANCES IN COLOR AND SIZE MAY OCCUR.
DO NOT MAKE ANY INSTALLATION CUTS UNTIL YOU RECEIVE YOUR ITEM(S).