

RVQ6290

OUTDOOR ICE CHEST SINK COMBO

RUVATI®

SPECIFICATION SHEET

MATERIAL

True 16 Gauge Thickness
Marine Grade T-316 Stainless Steel
18/10 Chromium/Nickel Content
Commercial Brushed Finish

FEATURES

- Heavy duty sound guard padding and undercoating
- Slanted bottom with elegant drain grooves for easy draining
- Triple Layer Insulation keeps your ice frozen and your drinks cold



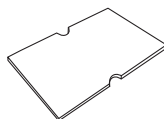
IN THE BOX



Basket Strainer
[RVA1022]



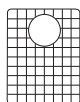
Basket Strainer
[RVA1025]



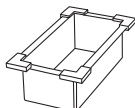
Cutting Board
[RVA1210BLK]



Mounting Clips
[RVA11042]



Rinse Grid
[RVA68210]



Colander
[RVA1310]



Cut-out
Template

NOMINAL DIMENSIONS

Exterior: 29-1/4" (wide) x 20" (front-to-back)
Interior Bowl: 13" x 14-5/8" (left) x 11-5/8" x 16-5/8" (right)
Bowl Depth: 11-7/8"
Minimum Cabinet Size: 33" wide
Drain Hole Size: 3-1/2"

Installation Type:
Topmount

Inside Corners:
Zero Radius

Drain Location:
Rear Center, Center

RUVATI USA

www.ruvati.com

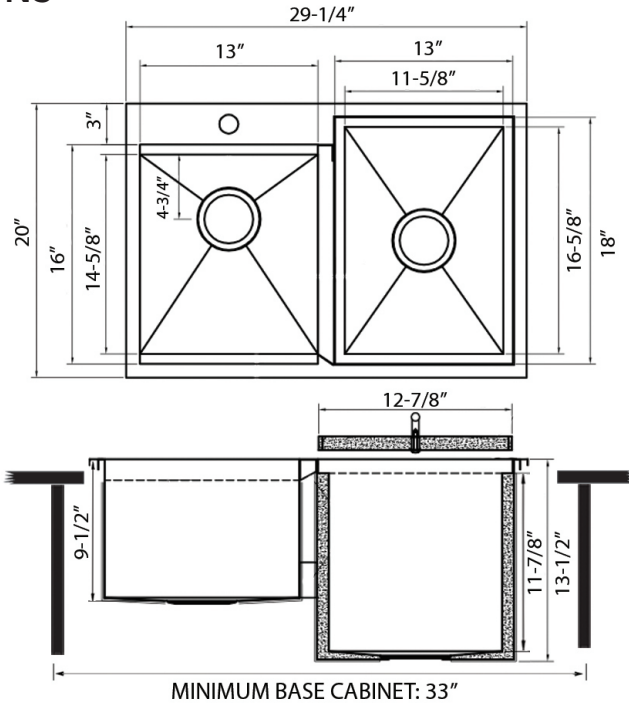
Phone: 1.855.478.8284
Email: support@ruvati.com

OPTIONAL ACCESSORIES (SOLD SEPARATELY)



Drain Cover
[RVA1035]

DIMENSIONS



Register your product at www.ruvati.com/register.