

# RVM5176

TOPMOUNT KITCHEN SINK

**RUVATI**<sup>®</sup>  
SPECIFICATION SHEET

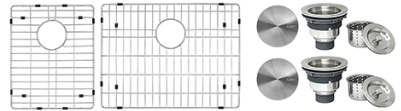
## MATERIAL

True 16 Gauge Thickness  
Premium T304 Grade Stainless Steel  
18/10 Chromium/Nickel Content  
Commercial Brushed Finish



## FEATURES

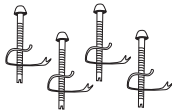
- Heavy duty sound guard padding and undercoating
- Curved bowl and rounded bottom for perfect drainage
- Large deep bowl



## IN THE BOX



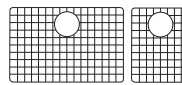
Basket Strainer  
[RVA1025] x 2



Mounting Clips  
[RVA11044]



Cut-out  
Template



Rinse Grid  
[RVA65173]



Drain Cover  
[RVA1035] x 2



cUPC certified by IAPMO to meet US and Canada plumbing standards.  
Codes compliance: ASME A112.19.3/CSA B45.4

## NOMINAL DIMENSIONS

Exterior: 33" (wide) x 22" (front-to-back)  
Interior Bowl: 10" x 15-3/4" (left) x 18-1/2" x 15-3/4" (right)  
Bowl Depth: 7" (left), 9" (right)  
Minimum Cabinet Size: 36" wide  
Drain Hole Size: 3 1/2"

**Installation Type:**  
Topmount  
**Inside Corners:**  
Rounded  
**Drain Location:**  
Rear Center

**RUVATI USA**  
www.ruvati.com

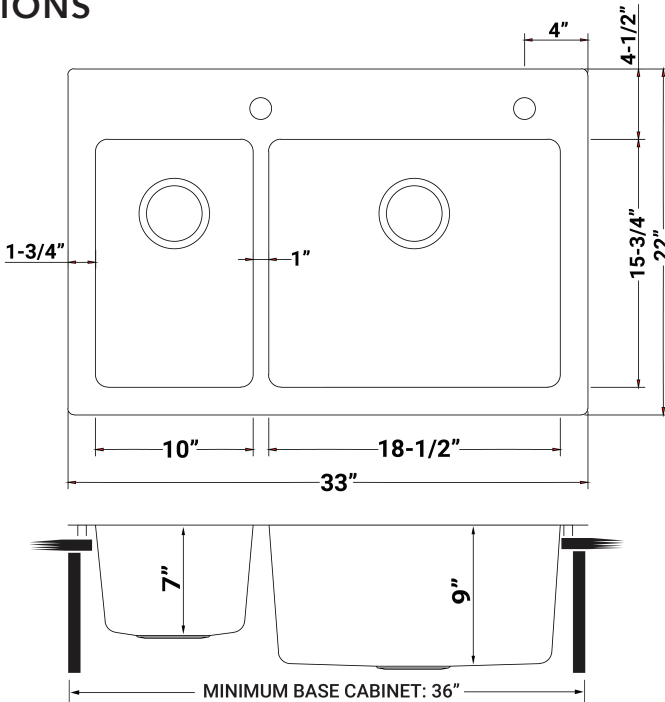
Phone: 1.855.478.8284  
Email: support@ruvati.com

# OPTIONAL ACCESSORIES (SOLD SEPARATELY)



Deep Basket  
Disposal Flange  
[RVA1049ST]

## DIMENSIONS



Register your product at [www.ruvati.com/register](http://www.ruvati.com/register).