

RVG2302

GRANITE UNDERMOUNT KITCHEN SINK

RUVATI®

SPECIFICATION SHEET

MATERIAL

- Solid Granite Composite
- 80% crushed natural granite for extreme strength
- Non-porous and resistant to stains

FEATURES

- Naturally sound proof
- Will never discolor
- Rounded inside corners

COLOR OPTIONS

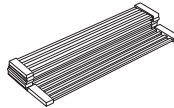
BK: Midnight Black **GR:** Silver Gray
WH: Arctic White **ES:** Espresso Brown **UG:** Urban Gray



IN THE BOX



Cutting Board
[RVA1202CR]



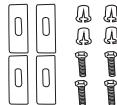
Folding Rack
[RVA1393]



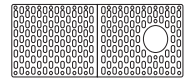
Cut-out
Template



Basket Strainer
[RVA1038]



Mounting Clips
[RVA11059]



Rinse Grid
[RVA41302 (BK / GR)]

NOMINAL DIMENSIONS

Exterior: 32-1/4" (wide) x 19" (front-to-back)
Interior Bowl: 30-5/8" (wide) x 16-1/2" (front-to-back)
Bowl Depth: 9"
Minimum Cabinet Size: 36" wide
Drain Hole Size: 3 1/2"

Installation Type:
Undermount
Inside Corners:
Rounded
Drain Location:
Offset

RUVATI USA

www.ruvati.com

Phone: 1.855.478.8284
Email: support@ruvati.com

OPTIONAL ACCESSORIES (SOLD SEPARATELY)



Deep Basket
Disposal Flange
[RVA1049ST]

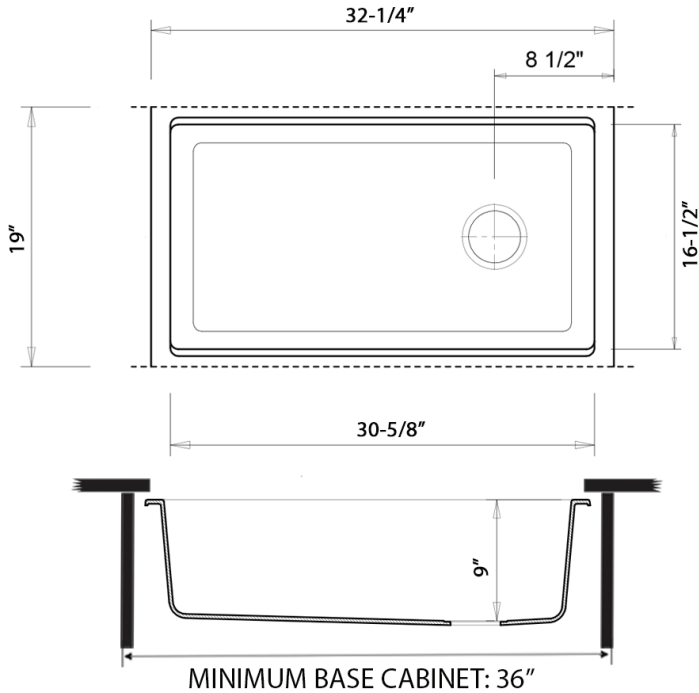


Drain Cover
[RVA1035]



UPC compliant. Certified by CSA to meet US and Canada plumbing codes.
Codes compliance: ASME A112.19.3/CSA B45.4

DIMENSIONS



Register your product at www.ruvati.com/register.