

RVA5005

Luxury Bathroom Accessory Towel Ring

RUVATI®

Features

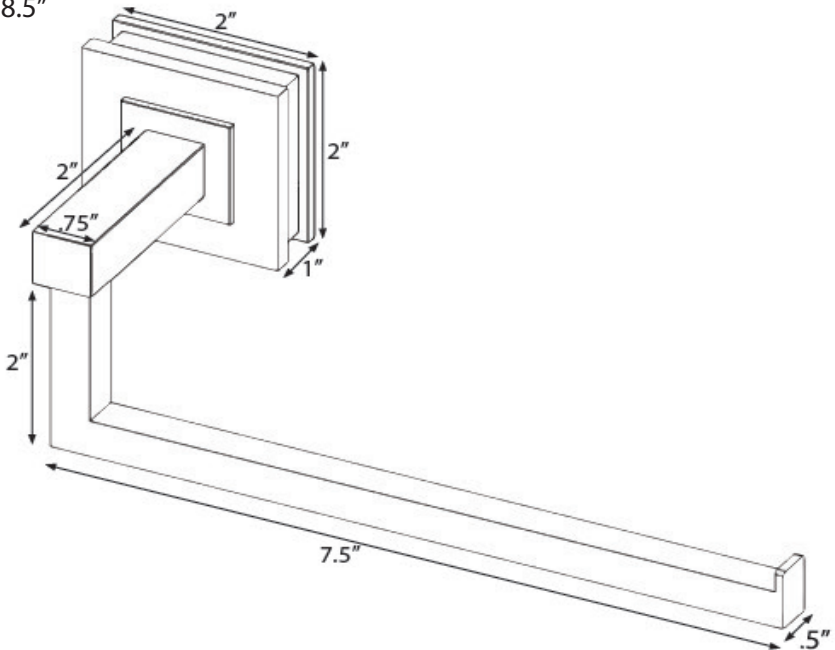
- Solid brass construction
- Matching collection available: robe hook, towel bar, towel ring and toilet paper holder (sold separately)
- Polished chrome finish with a Swarovski crystal inlay
- Mounting hardware included
- Made in Spain



Model: RVA5005
Luxury Bathroom
Accessory Towel Ring

Dimensions

- Height: 3"
- Width: 8.5"

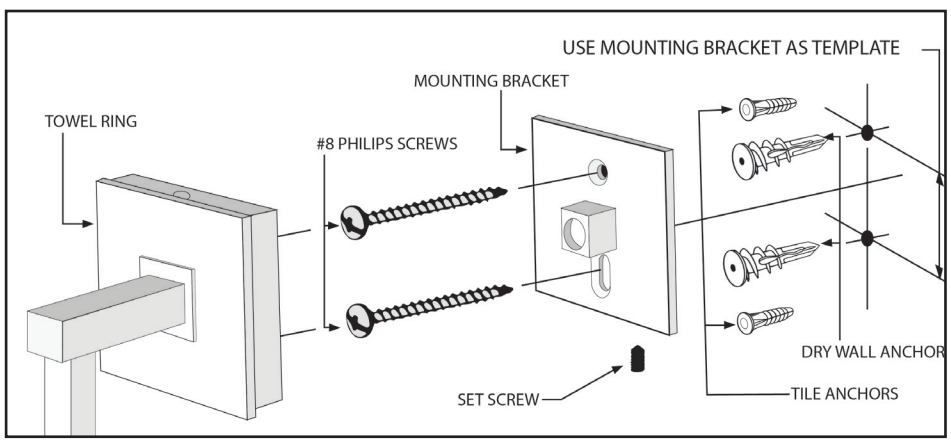


Tools Needed

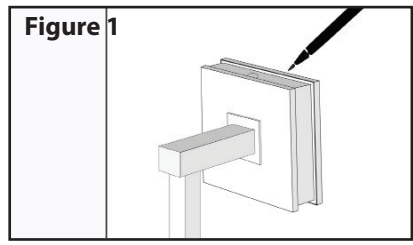
- Pencil
- Hammer
- Tape Measure
- 3/16 in. drill bit
- Screw gun with #2 Phillips bit
[or #2 Phillips screwdriver]



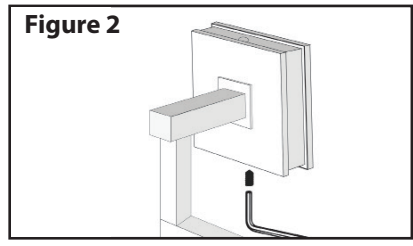
Installation



1. Hold assembled item up against desired position on wall, and outline the back plates of end pieces with a pencil (Fig. 1). Use a measuring tape and a level for accuracy.



2. Loosen SET SCREW using allen wrench, and separate ROBE HOOK from TOWEL RING. (Fig. 2)



3. Position MOUNTING BRACKET in the center of outlined back plate. Use a pencil to mark positioning of the screw holes. (Fig. 3)

4. Drill $\frac{3}{16}$ in. pilot holes into the wall where the DRYWALL ANCHORS will be inserted. (Fig 4)

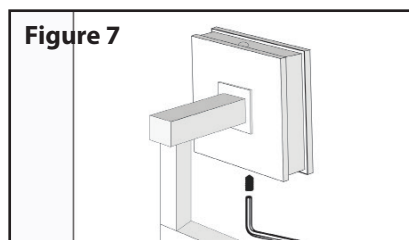
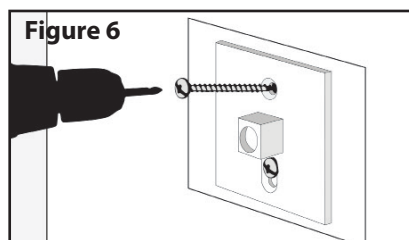
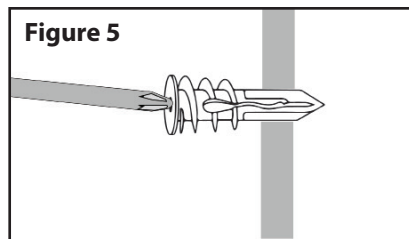
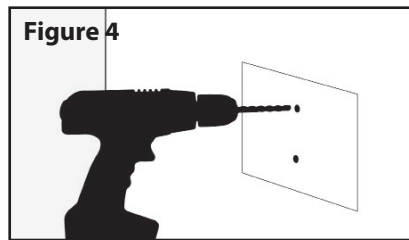
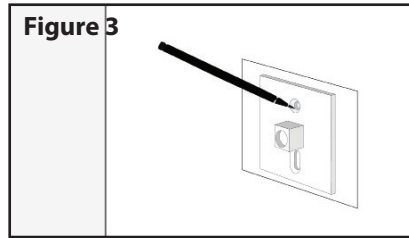
5. For installation on drywall: Push tip of DRYWALL ANCHOR firmly into the pilot hole you just drilled. Drive anchor clockwise into the drywall using #2 Phillips screwdriver or screw gun until anchor stops flush with the outer wall surface (Fig. 5). **NOTE: Do not overtighten Drywall Anchor. If using screw gun, stop slightly before Anchor is fully in, and then tighten the last bit with hand screwdriver until anchor is perfectly flush with wall.**

For installation on tiled walls: Use TILE ANCHOR and SCREWS for securing MOUNTING BRACKETS to wall. Instead of the $\frac{3}{16}$ " pilot holes in Step 3, drill two $\frac{1}{4}$ " diameter holes a minimum of 1- $\frac{1}{4}$ " deep. Insert the two TILE ANCHORS flush with face of the finished wall.

6. Place the MOUNTING BRACKET over the DRYWALL ANCHORS. Insert MOUNTING SCREWS through the bracket and anchors, and then tighten firmly with Philips head screwdriver. (Fig. 6)

7. Place TOWEL RING on top of MOUNTING BRACKET, and secure it with Allen wrench and SET SCREW. (Fig. 7)

8. Place TOWEL RING on top of MOUNTING BRACKET, and secure it with Allen wrench and SET SCREW. (Fig. 7)



RUVATI LIMITED LIFETIME WARRANTY

At RUVATI, we stand behind our products with a limited lifetime warranty on all accessories. We want every RUVATI customer to be a satisfied customer.

REGISTER YOUR PRODUCT. By taking just a few minutes to register, you can improve your experience with Ruvati and enjoy more efficient Warranty Support. Visit www.ruvati.com

Should you experience any defects in materials or workmanship within the warranty period, Ruvati will repair or replace the defective product, subject to the following conditions:

- Any claim made under this warranty must include a copy of a valid proof of purchase showing the date and place of purchase.
- Our obligation under this warranty is to the original purchaser only, and may not be transferred.
- Product replacement does not include shipping costs or labor installation costs.
- This warranty applies to residential installations only.
- Ruvati reserves the right to examine product in question and its installation prior to replacement.
- If an identical replacement product is not available, Ruvati reserves the right to replace the defective product with a similar product.

This warranty relates to defects in manufacture, materials or workmanship in a Ruvati faucet supplied for installation into domestic premises in the United States. It does not extend to:

- Damage resulting from failure to maintain the product in accordance with the Care and Maintenance instructions provided with the product.
- Normal wear and tear, scratches or accidental damage.
- Faults arising from improper use and/or installation.

All incidental or consequential damages are specifically excluded. No additional warranties, express or implied are given, including but not limited to, any implied warranty of merchantability or fitness for a particular purpose. Some states do not allow the exclusion or limitation of incidental or consequential damages or limitations on how long an implied warranty lasts, so the above limitations or exclusions may not apply to you.

1-855-4-RUVATI

www.ruvati.com

support@ruvati.com

Ruvati USA, Inc.

404 W Powell Ln. Ste 505

Austin, TX 78753