

RVQ6221

OUTDOOR ICE CHEST SINK

RUVATI[®]
SPECIFICATION SHEET

MATERIAL

True 16 Gauge Thickness
Marine Grade T-316 Stainless Steel
18/10 Chromium/Nickel Content
Commercial Brushed Finish



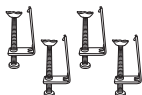
FEATURES

- Heavy duty sound guard padding and undercoating
- Slanted bottom with elegant drain grooves for easy draining
- Triple Layer Insulation keeps your ice frozen and your drinks cold

IN THE BOX



Basket Strainer
[RVA1022ST]



Mounting Clips
[RVA11042]



Cut-out
Template

NOMINAL DIMENSIONS

Exterior: 21" (wide) x 20" (front-to-back)
Interior Bowl: 17-5/8" (wide) x 16-5/8" (front-to-back)
Bowl Depth: 13-1/2"
Minimum Cabinet Size: 24" wide
Drain Hole Size: 3-1/2"

Installation Type:
Topmount
Inside Corners:
Zero Radius
Drain Location:
Center

RUVATI USA
www.ruvati.com

Phone: 1.855.478.8284
Email: support@ruvati.com

OPTIONAL ACCESSORIES (SOLD SEPARATELY)

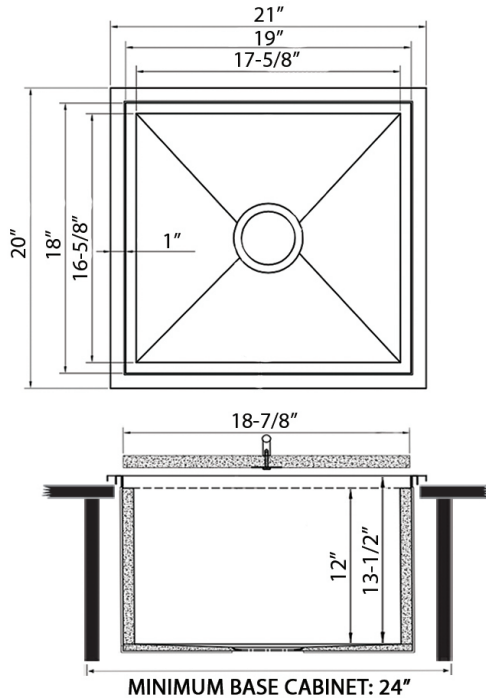


Deep Basket
Disposal Flange
[RVA1049ST]



Drain Cover
[RVA1035]

DIMENSIONS



Register your product at www.ruvati.com/register.