

# RVQ6215

## OUTDOOR ICE CHEST SINK

**RUVATI**<sup>®</sup>  
SPECIFICATION SHEET

### MATERIAL

True 16 Gauge Thickness  
Marine Grade T-316 Stainless Steel  
18/10 Chromium/Nickel Content  
Commercial Brushed Finish

### FEATURES

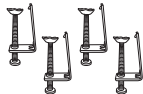
- Heavy duty sound guard padding and undercoating
- Slanted bottom with elegant drain grooves for easy draining
- Triple Layer Insulation keeps your ice frozen and your drinks cold



### IN THE BOX



Basket Strainer  
[RVA1022]



Mounting Clips  
[RVA11042]



Cut-out  
Template

### NOMINAL DIMENSIONS

Exterior: 15" (wide) x 20" (front-to-back)  
Interior Bowl: 11-5/8" (wide) x 16-5/8" (front-to-back)  
Bowl Depth: 13-1/2"  
Minimum Cabinet Size: 24" wide  
Drain Hole Size: 3-1/2"

Installation Type:  
Topmount  
Inside Corners:  
Zero Radius  
Drain Location:  
Center

**RUVATI USA**  
www.ruvati.com

Phone: 1.855.478.8284  
Email: support@ruvati.com

## OPTIONAL ACCESSORIES (SOLD SEPARATELY)

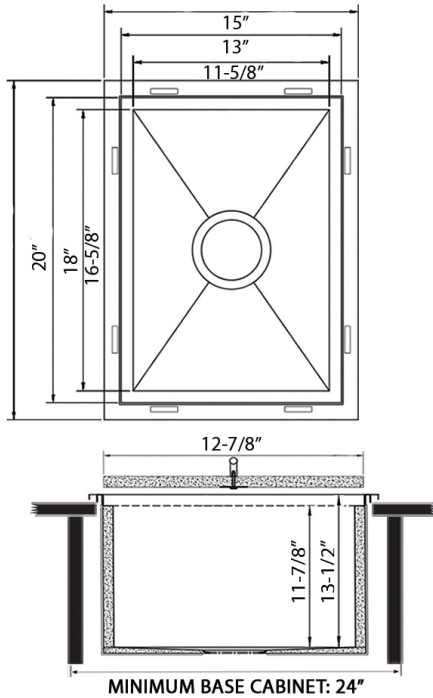


Deep Basket  
Disposal Flange  
[RVA1049ST]



Drain Cover  
[RVA1035]

## DIMENSIONS



Register your product at [www.ruvati.com/register](http://www.ruvati.com/register).