

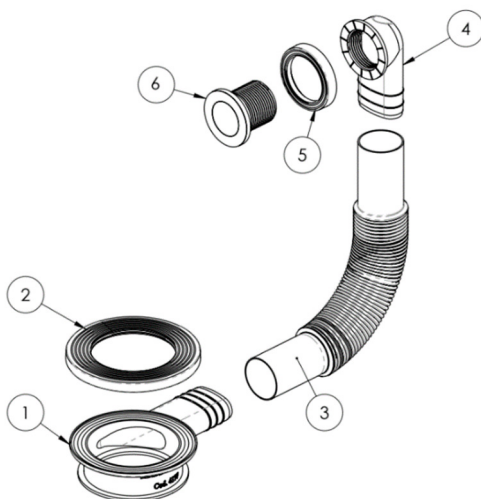
LEXICON™

Q U A R T Z C O M P O S I T E S I N K S
P L A T I N U M C O L L E C T I O N

Lexicon Vanity Bowl Overflow Installation Instructions

- 1) Measure and locate the proper position for the overflow hole.
- 2) Using a 1" diamond core bit attached to a suitable angle grinder (ie Makita 9564CV) drill a 1" inch hole into the sink bowl wall. For best results and minimize chipping, drill from the inside of the bowl being careful that the core bit does not slip and mar the sink surface.
- 3) Push the decorative overflow fitting (part 6) into the hole. Seal with 100% RTV silicone.
- 4) From the backside of the sink bowl wall, secure the overflow gasket (part 5) to the 90-degree overflow connector, tightening by hand.
- 5) Next, use the provided hexagon shaped 'installation key' to tightly screw the decorative overflow fitting (part 7) into the 90-degree overflow connector (part 4). Wipe up any excess silicone squeeze out.
- 6) Attach the compression hose (part 3) to the 90-degree overflow connector (part 4) and to the drain waste fitting (part 1).
- 7) Extend the flexible compression overflow hose (part 3) as needed so that the drain waste fitting (part 1) and drain waste gasket (part 2) are positioned properly with the sink drain hole.
- 8) Install the sink drain (not included) into the sink drain hole. Next place the sink drain through the drain waste fitting (part 1). Then attached the rubber gasket provided with the sink drain. Finally, tighten the sink drain so the drain waste fitting (part 1) and drain waste gasket (part 2) are secure and tight.

Part List



- (part 1) - Drain Waste Fitting
- (part 2) - Drain Waste Gasket
- (part 3) - Compression Hose
- (part 4) - 90-Degree Overflow Connector
- (part 5) - Overflow Gasket
- (part 6) - Decorative Overflow Fitting

Installation Overview

