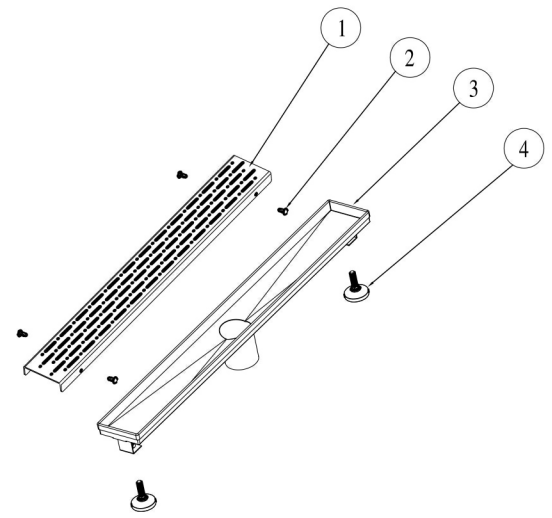
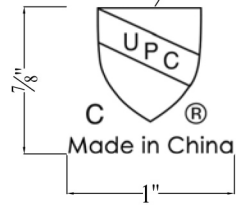


SECTION A-A



- 12": 5036mm<sup>2</sup>
- 24": 10072mm<sup>2</sup>
- 32": 13675mm<sup>2</sup>
- 36": 15108mm<sup>2</sup>
- 47": 20290mm<sup>2</sup>

\*\* stand for the length 12",24",32",36",47"and so on

NO	DESCRIPTION	QTY	MATERIAL	SIZE
1	Linear drain cover	1	SUS304	**X2 <sup>3</sup> / <sub>4</sub> "X3 <sup>1</sup> / <sub>4</sub> "(14G)
2	plastic connectors	4	PP	∅ <sup>3</sup> / <sub>8</sub> "X <sup>9</sup> / <sub>16</sub> "
3	Linear drain stand	1	SUS304	**X3"X3 <sup>3</sup> / <sub>8</sub> "(18G)
4	mounting brackets	2	composite material	∅1 <sup>1</sup> / <sub>16</sub> "X1 <sup>1</sup> / <sub>16</sub> "

**Kaiping Dawn Plumbing Products,Inc**

Type:	Shower Linear drain	Material:	SUS304
Model:	LRO**0304	Feature:	18/8 Chrome-Nickel
Size/Overall:			Polished, Stain Finish
Scale:			
Design:	Ming		
Drawn:	Yang		
Date:	2015-12-07	Logo:	<i>Dawn</i> - laser-etching
Manufacture Date:		Approved:	