



PREMIER
COPPER PRODUCTS

MODEL NUMBER: L019FSBDB

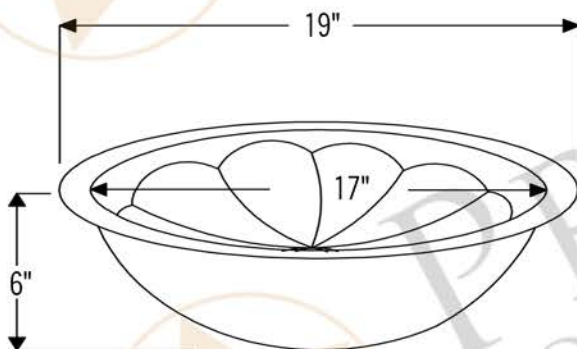
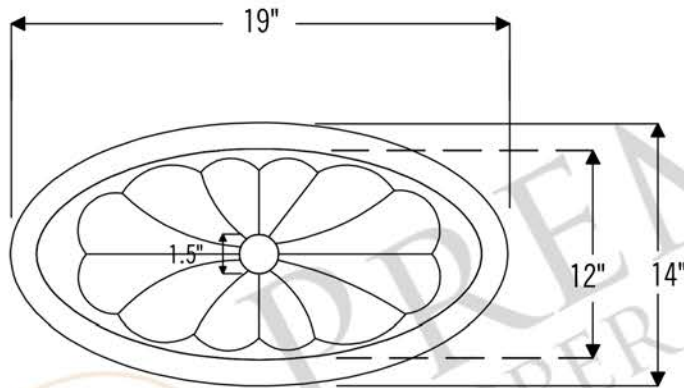
- * Description: Oval Sunburst Under Counter Hammered Copper Sink
- * Outer Dimension: 19" x 14" x 6"
- * Inner Dimension: 17" x 12" x 6"
- * Rim: 1"
- * Drain Opening: 1.5"
- * Finish: Oil Rubbed Bronze
- * Design: Sunburst

CODE/STANDARD COMPLIANCE

* IAPMO/cUPC LISTED



* ORB: Oil Rubbed Bronze



THIS PRODUCT IS HAND CRAFTED, SMALL VARIANCES IN COLOR AND SIZE MAY OCCUR.
DO NOT MAKE ANY INSTALLATION CUTS UNTIL YOU RECEIVE YOUR ITEM(S).