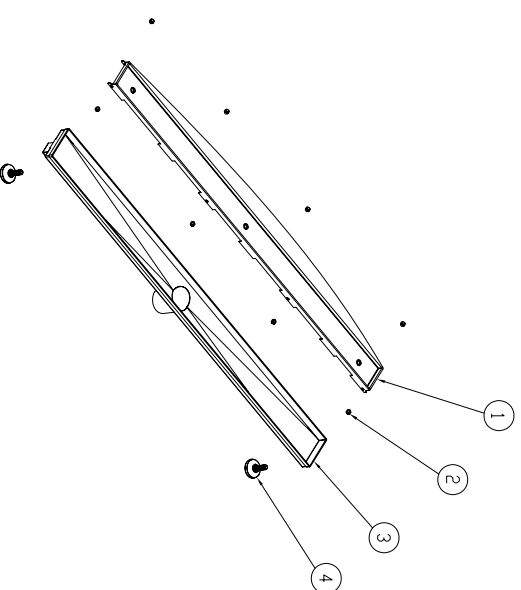
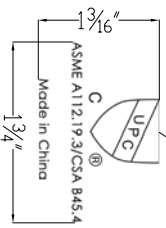


SECTION A-A



Colorado River serie

NO	DESCRIPTION	QTY	MATERIAL	SIZE
1	Linear drain cover	1	SUS304	36 $\frac{1}{4}$ "x2 $\frac{3}{4}$ "x3 $\frac{1}{4}$ "(18G)
2	plastic connectors	8	PP	ϕ 3 $\frac{1}{8}$ "x3 $\frac{1}{16}$ "
3	Linear drain stand	1	SUS304	36"x3"x3 $\frac{1}{8}$ "(18G)
4	mounting brackets	2	composite material	ϕ 1 $\frac{1}{16}$ "x1 $\frac{1}{16}$ "

Kaiping Dawn Plumbing Products, Inc

Type:	Linear drain	Material:	SUS304
Model:	LC0360304	Feature:	1/8" Chrome-Nickel
Size/Overall:			Polished, Stain Finish
Scale:			
Design:	Ming		
Drawn:	Pu		
Date:	2014-03-27	Logo:	<i>Dawn</i> _ laser-etching
Manufacture Date:		Approved:	