

# KWS101-24

## 24 Inch Scullery Workstation Single Bowl Stainless Steel Sink

# Kräus®

SPECIFICATION SHEET

### Sink Dimensions

Overall Dimensions: 24" x 25" x 12 1/2"

Bowl Dimensions: 20 1/2" x 19 5/8" x 12"

### Features

- Designed to withstand the heavy-duty requirements of hotel, restaurant, cafeteria and other commercial kitchens
- 18 Gauge Stainless Steel Construction
- Standard 3 1/2" drain opening to fit standard strainers
- Adjustable stainless steel tubular legs, with rubber skid resistant feet
- Additional base shelf for added support and storage
- Workstation ledge allows you to work directly over the sink when prepping, straining, or serving

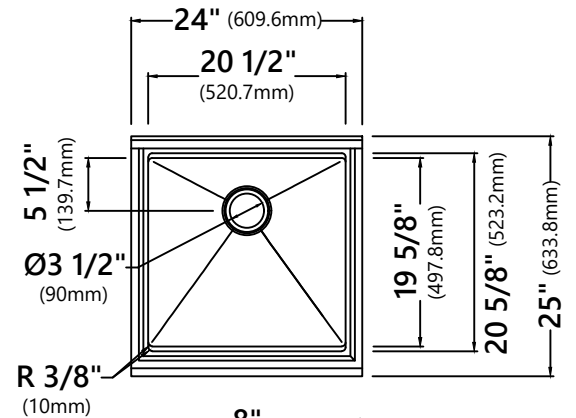
### Included Accessories

- Sink Strainer ST-1

### CODES/STANDARDS:

#### Product Certification

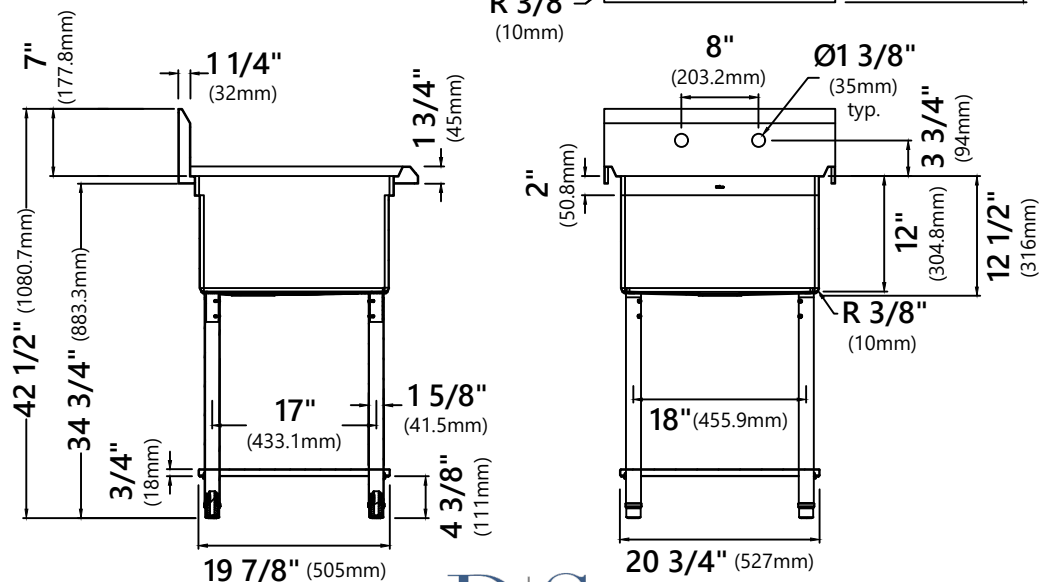
cUPC (ASME A112.19.3/CSA B45.4)



### Warranty

Kraus Limited Lifetime Warranty

see website for details [www.kraususa.com](http://www.kraususa.com)



Kraus USA Plumbing LLC Customer Service  
1.800.775.0703 | [customerservice@kraususa.com](mailto:customerservice@kraususa.com)

D|S  
DIRECT SINKS

REV. August 16, 2022