

KWD100-100

Garbage Disposal

Garbage Disposal Dimensions

Overall Dimensions: 8 5/8" x 10 3/4" x 16 1/8"

Features

- 1 Horsepower
- 3800RPM Motor Speed
- Permanent Magnet Motor Type
- 40.6 oz. Grind Chamber Capacity
- Stainless Steel Jam Resistant Grinding System
- Continuous Feed
- Sound Insulated
- Splash Guard
- Sink Stopper
- Anti-Vibration Mount
- Easy Mount System
- Manual Reset Overload
- Connection to Dishwasher
- 1 1/2" Drain Connection

Specifications

- Voltage 120V 60Hz
- Amperage 7A
- On/Off Control Wall Switch

Available Colors

- Black

CODES/STANDARDS:

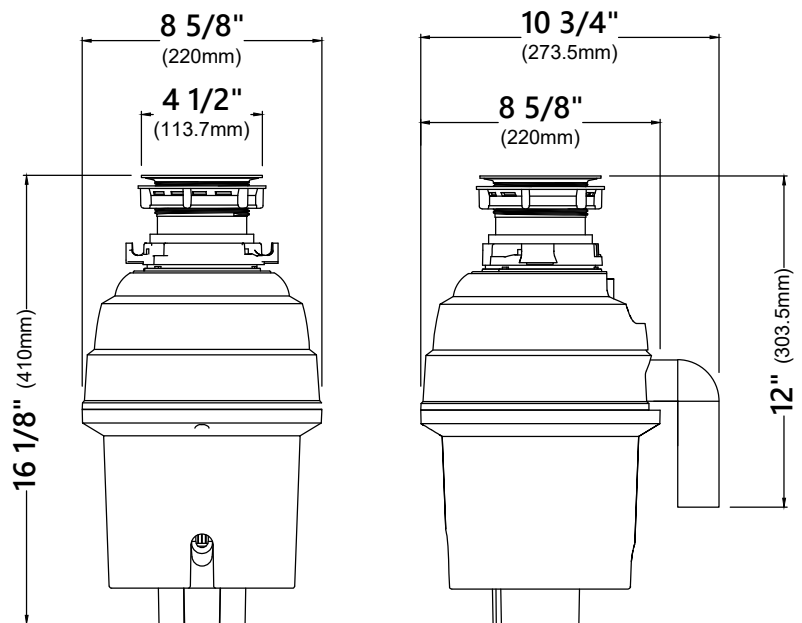
Product Certification

cUPC, ETL and ISTA certified

Warranty

Kraus Limited 5 Year Warranty

see website for details www.kraususa.com



D|S
DIRECT SINKS