

KHT302-33

33 Inch Dual Mount Double Bowl Stainless Steel Kitchen Sink

Kräus®

SPECIFICATION SHEET

Sink Dimensions

Overall Dimensions: 33" x 22"

Bowl Dimensions: 15 1/2" x 18"

Sink Depth: 10"

Features

- 16 Gauge Stainless Steel Construction
- Dual Mount Double Bowl 50/50 Sink
- Required Minimum Cabinet Size: 36" Left to Right
24" Front to Back
- Rear Center Set Drains
- 3 1/2" Drain Openings
- NoiseDefend Undercoating and Sound
Dampening Pads

Accessories Included

- Strainer ST-1 x2
- Cover Cap STC-2 x2
- Bottom Grid KBG-302-33 x2
- Cut-Out Template
- Mounting Hardware

CODES/STANDARDS:

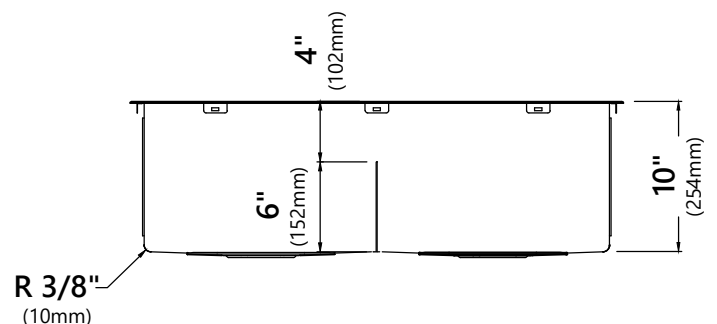
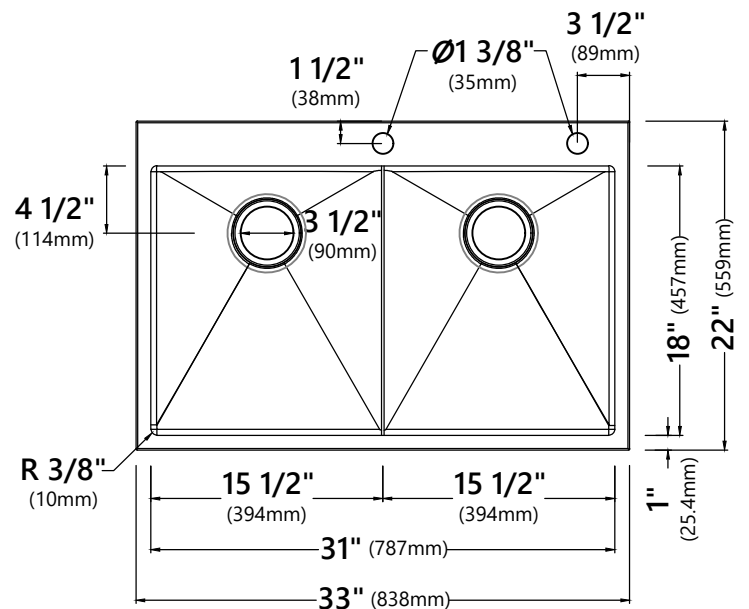
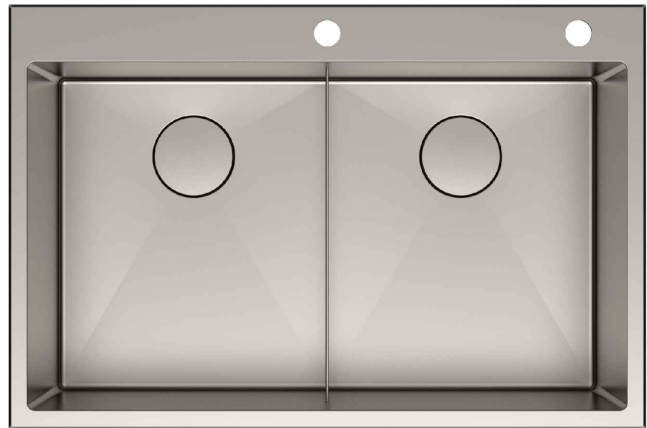
Product Certification

cUPC (ASME A112.19.3/CSA B45.4)

NOTE: Maximum countertop thickness for
Top Mount installation is 1 1/2".

Warranty

Kraus Limited Lifetime Warranty
see website for details www.kraususa.com



D|S
DIRECT SINKS

Kraus USA Plumbing LLC Customer Service
1.800.775.0703 | customerservice@kraususa.com

REV. November 12, 2021