

## BST-1

### Stainless Steel Basket Strainer

---

#### Basket Strainer Dimensions

Overall Dimensions: 4 1/2" x 4 1/2"

#### Features

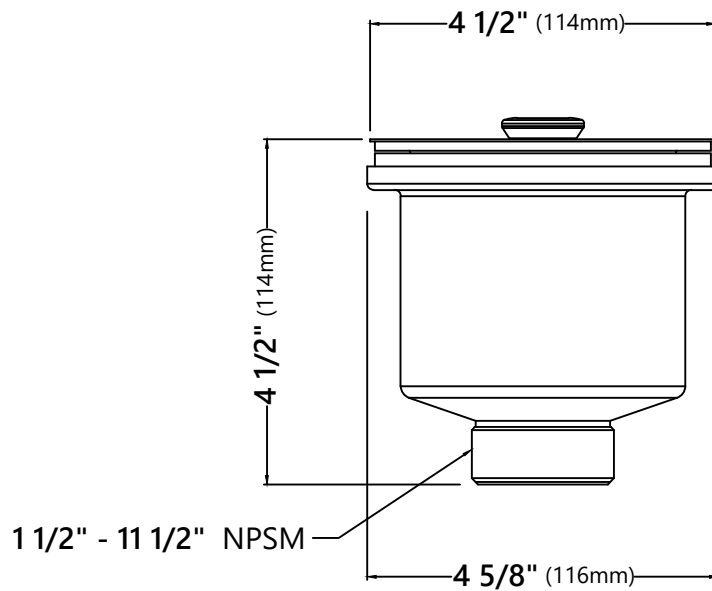
- Premium Stainless Steel Construction
- Fits Standard 3 1/2" or 4" Drain Openings
- Removable Basket Prevents Debris from Clogging Drain Pipe



#### Warranty

Kraus 1 Year Limited Warranty

see website for details [www.kraususa.com](http://www.kraususa.com)



## KBG-200-33

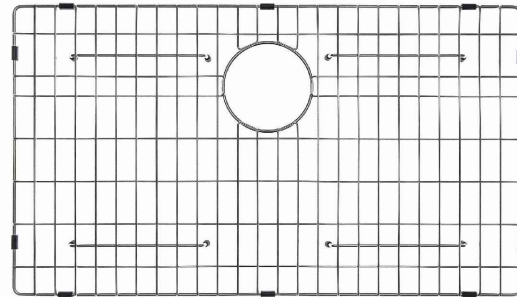
### Stainless Steel Kitchen Sink Bottom Grid

#### Grid Dimensions

Overall Dimensions: 29 1/2" x 15 5/8" x 1 1/8"

#### Features

- Commercial grade stainless steel construction
- For Use with the KHF200-33 kitchen sink
- Protects bottom of sink from daily wear and tear
- Rubber feet provide additional protection



#### Warranty

Kraus One Year Limited Warranty

see website for details [www.kraususa.com](http://www.kraususa.com)

