

KBG-22

Stainless Steel Kitchen Sink Bottom Grid

Grid Dimensions

Overall Dimensions: 14 1/2" x 12 3/8" x 1 1/4"

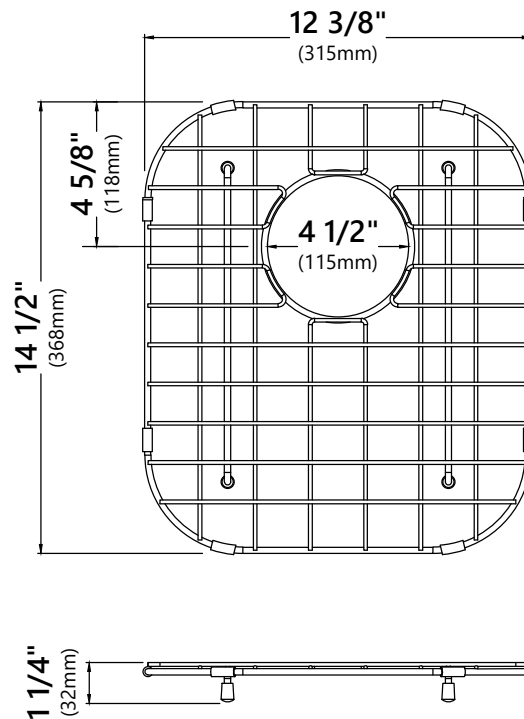
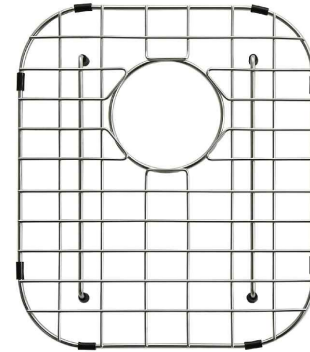
Features

- Commercial grade stainless steel construction
- For Use with the KBU-22 and KBU22E kitchen sinks
- Protects bottom of sink from daily wear and tear
- Rubber feet provide additional protection

Warranty

Kraus One Year Limited Warranty

see website for details www.kraususa.com



BST-1

Stainless Steel Basket Strainer

Basket Strainer Dimensions

Overall Dimensions: 4 1/2" x 4 1/2"

Features

- Premium Stainless Steel Construction
- Fits Standard 3 1/2" or 4" Drain Openings
- Removable Basket Prevents Debris from Clogging Drain Pipe



Warranty

Kraus 1 Year Limited Warranty

see website for details www.kraususa.com

