

TRÜ Faucets

BY PREMIER COPPER PRODUCTS

MODEL NUMBER: K-PD01ORB

- * Description: Single Handle Kitchen Faucet with Pullout Spray
- * Finish: Oil Rubbed Bronze
- * Installation: Single Hole
- * Overall Height: 16.687"
- * Spout Reach: 8.5"
- * Flow Rate: 1.8 GPM
- * Certifications: ASME A112.18.1/CSA B125.1, NSF/ANSI 61, California Lead Plumbing Law, ADA Compliant



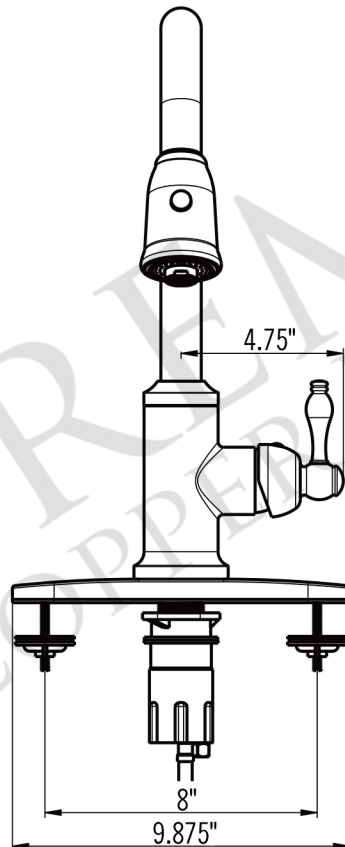
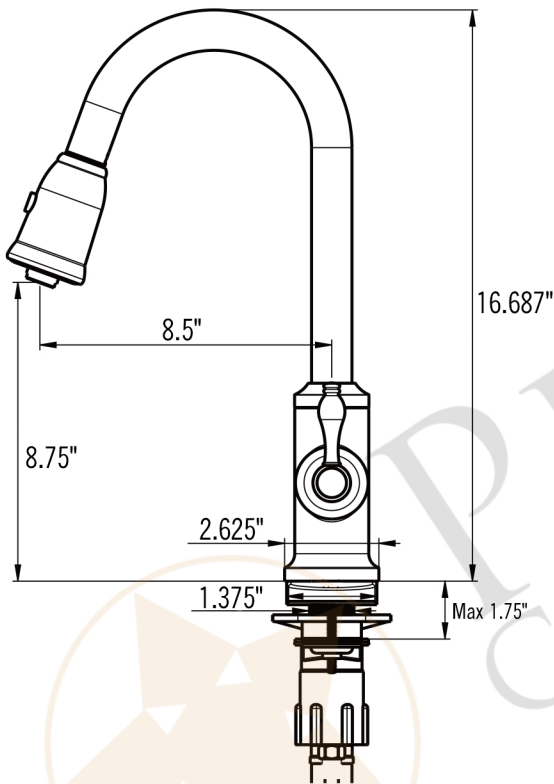
* ORB: Oil Rubbed Bronze

Features:

- * Solid Brass Construction
- * Drip Free Ceramic Disc Cartridges
- * Retractable Hose
- * Two Function Spray Head - Toggle Between Stream and Spray
- * Solid Brass Spray Head

Models:

- * K-PD01ORB-G Faucet w/ D-130ORB Garbage Disposal Drain
- * K-PD01ORB-D Faucet w/ D-132ORB Strainer Drain
- * K-PD01ORB-DG Faucet w/ D-130ORB Disposal and D-132ORB Strainer Drains
- * K-PD01ORB-DD Faucet w/ (2) D-132ORB Strainer Drains



TRÜ Faucets

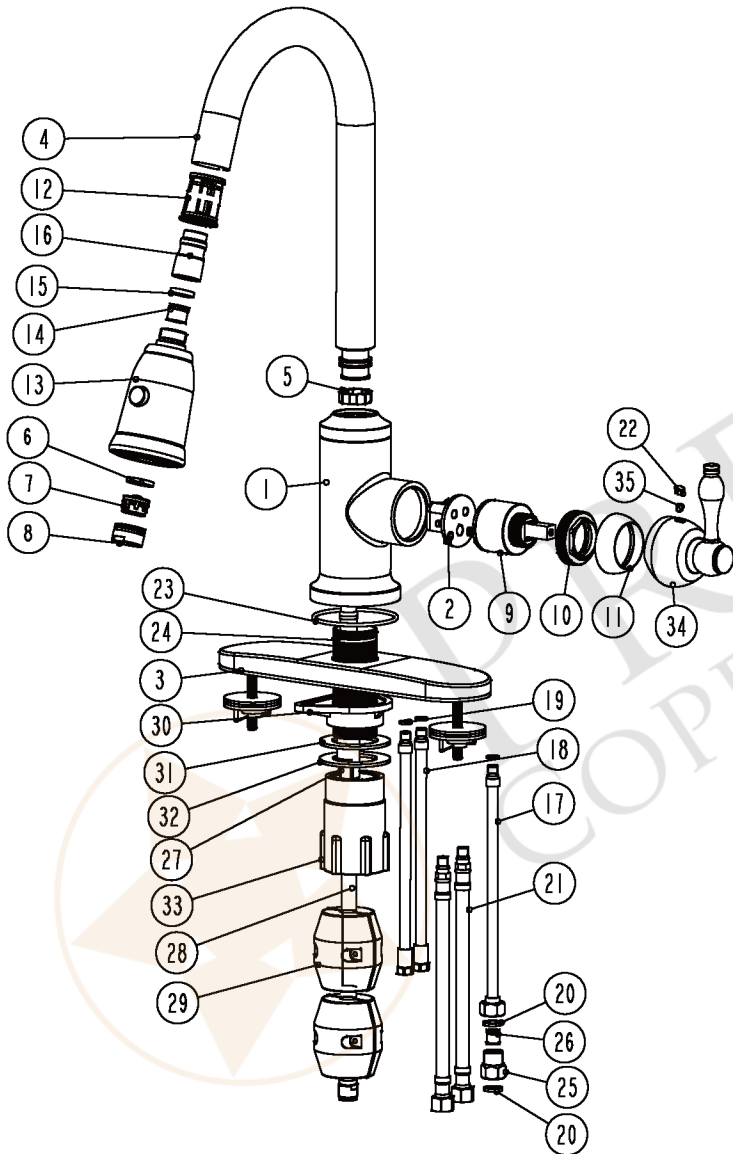
BY PREMIER COPPER PRODUCTS

MODEL NUMBER: K-PD01ORB

- * Description: Single Handle Kitchen Faucet with Pullout Spray
- * Finish: Oil Rubbed Bronze
- * Installation: Single Hole
- * Overall Height: 16.687"
- * Spout Reach: 8.5"
- * Flow Rate: 1.8 GPM
- * Certifications: ASME A112.18.1/CSA B125.1, NSF/ANSI 61,
California Lead Plumbing Law, ADA Compliant



Exploded Parts View:



Parts Listing:

35	0902000	Handle Screw	1	SUS304
34	01106XX	Handle	1	BRASS
33	1200113	Lock Nut	1	POM/BRASS
32	1801210	Steel Gasket	1	Q235
31	0550500	Washer	1	NBR
30	1601411	Angle Stand	1	PA-66
29	0000413	Weight	2	A3/ABS/SUS304
28	N8602313	Nylon Flex	1	BRASS
27	1501411	Tube	1	POM
26	N7300411	Check Valve	1	COMBINATION
25	X0402304	Adapter	1	BRASS
24	0302300	Thread Pipe	1	SUS304
23	0502600	O-ring	1	NBR
22	10002XX	Handle Screw Cover	1	ABS
21	N8601400	SS Flex	2	BRASS
20	N0551600	Washer	2	EP7118F
19	N0504300	O-ring	3	N7118F
18	0307200	Inlet Tube Weldment	2	BRASS
17	0317100	Outlet Tube Weldment	1	BRASS
16	15070XX	Cone Nut	1	BRASS
15	N0553100	Washer	1	EP7118F
14	N7300516	Check Valve	1	COMBINATION
13	X80203XX	Sprayer	1	COMBINATION
12	1505713	Sprayer Ferrule	1	POM
11	11013XX	Cartridge Cover	1	H62
10	1100700	Cartridge Lock Nut	1	BRASS
9	N7140898	Cartridge	1	COMBINATION
8	15002XX	Aerator Body	1	BRASS
7	N0601498	Aerator	1	PLASTIC
6	N0550200	Washer	1	N7118F
5	1804111	Friction Ring	1	POM
4	14048XX	Outlet Pipe Weldment	1	H62
3	11028XX	Deck Plate	1	ZINC ALLOY
2	X1604600	Cartridge Base	1	BRASS
1	08486XX	Body	1	BRASS
NO.	MATERIAL	MODEL	QTY	PART NAME