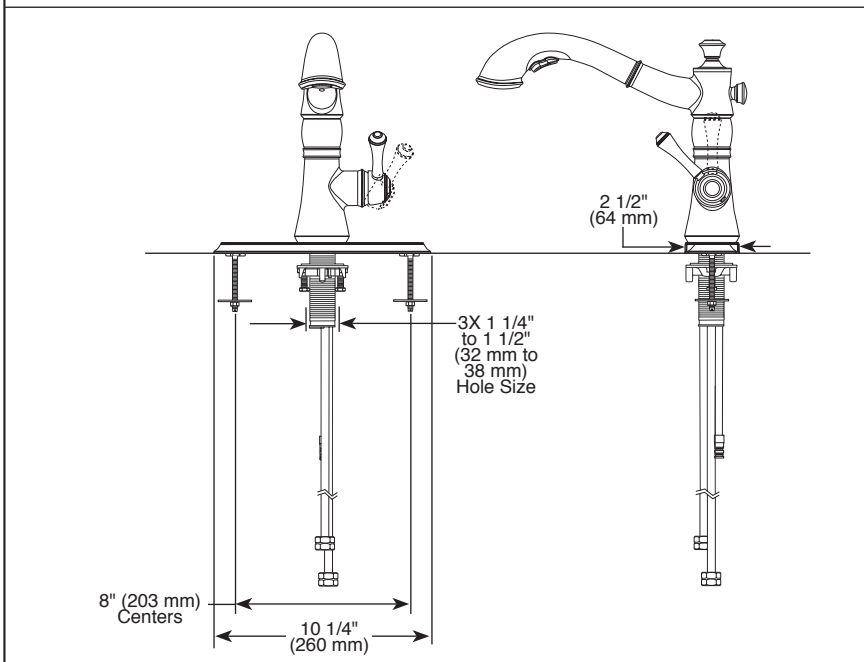
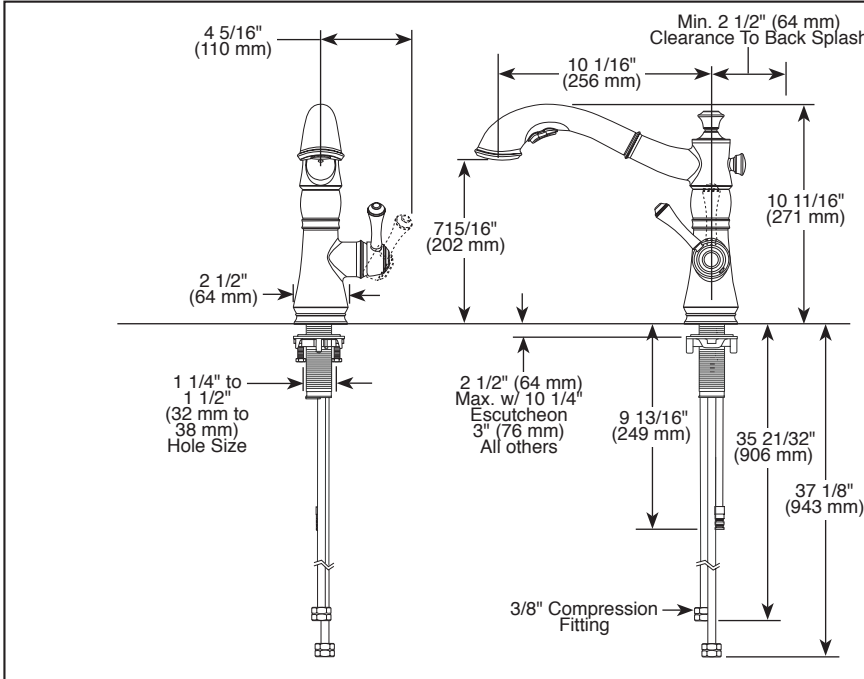


4197-▲-DST 

With Optional
Escutcheon RP71545▲ 

Submitted Model No.: _____

Specific Features: _____



▲ Designate proper finish suffix

Delta reserves the right (1) to make changes in specifications and materials, and (2) to change or discontinue models, both without notice or obligation. Dimensions are for reference only. See current full-line price book or www.deltafaucet.com for finish options and product availability.

DSP-K-4197-DST Rev. C



KITCHEN FAUCETS

- Cassidy™ Collection
- Single Handle Pull-Out

FEATURES:

- DIAMOND Seal® Technology
- Integrated Innoflex® Supply Lines
- Touch-Clean® sprayhead


STANDARD SPECIFICATIONS:

- Maximum 1.8 gpm @ 60 PSI, 6.8 L/Min @ 414 kPa
- One or three hole mount (escutcheon optional)
- Diamond coated ceramic cartridge
- Rotating spout
- Red/blue indicator markings
- Two-function wand; Aerated stream or spray
- Euro-Motion handle only rotates forward to eliminate backsplash interference
- 54" braided hose ensures smooth operation
- Free-moving hose weight provides maximum reach
- Order RP61607 for 1.5 gpm hose adapter
- Order RP71545 for optional escutcheon
- Order RP71543 for optional coordinating soap dispenser

WARRANTY

- Lifetime limited warranty on parts (other than electronic parts and batteries) and finishes: or, for commercial users, for 5 years from date of purchase.
- 5 year limited warranty on electronic parts (other than batteries); or, for commercial users, for 1 year from the date of purchase. No warranty is provided on batteries.

COMPLIES WITH:

- ASME A112.18.1 / CSA B125.1
- ASME A112.18.6
-  Indicates compliance to ICC/ANSI A117.1
- Verified compliant with .25% weighted average Pb content regulations.



55 E 111th Street, Indianapolis, Indiana 46280
350 South Edgeware Road, St. Thomas, ON N5P 4L1
© 2015 Masco Corporation of Indiana