



see what Delta can do™

KITCHEN FAUCETS

- Trinsic® Series
- Single Handle Deck Mount
- 1 Hole Sink Applications

STANDARD SPECIFICATIONS:

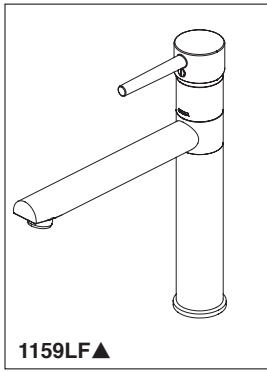
- Maximum flow rate 1.8 gpm @ 60 psi, 6.8 L/min @ 414 kPa
- Ceramic cartridge
- 1 hole installation
- Spout rotates 360°
- Maximum 1 7/8" (48 mm) deck thickness
- Color coded plug button on handle for hot/cold identification

WARRANTY

- Parts and Finish - Lifetime limited warranty; or for commercial purchasers, 10 years for multi-family residential (apartments and condominiums) and 5 years for all other commercial uses, in each case from the date of purchase.
- Electronic Parts and Batteries (if applicable) - 5 years from the date of purchase; or for commercial purchasers, 1 year from the date of purchase. No warranty is provided on batteries.

COMPLIES WITH:

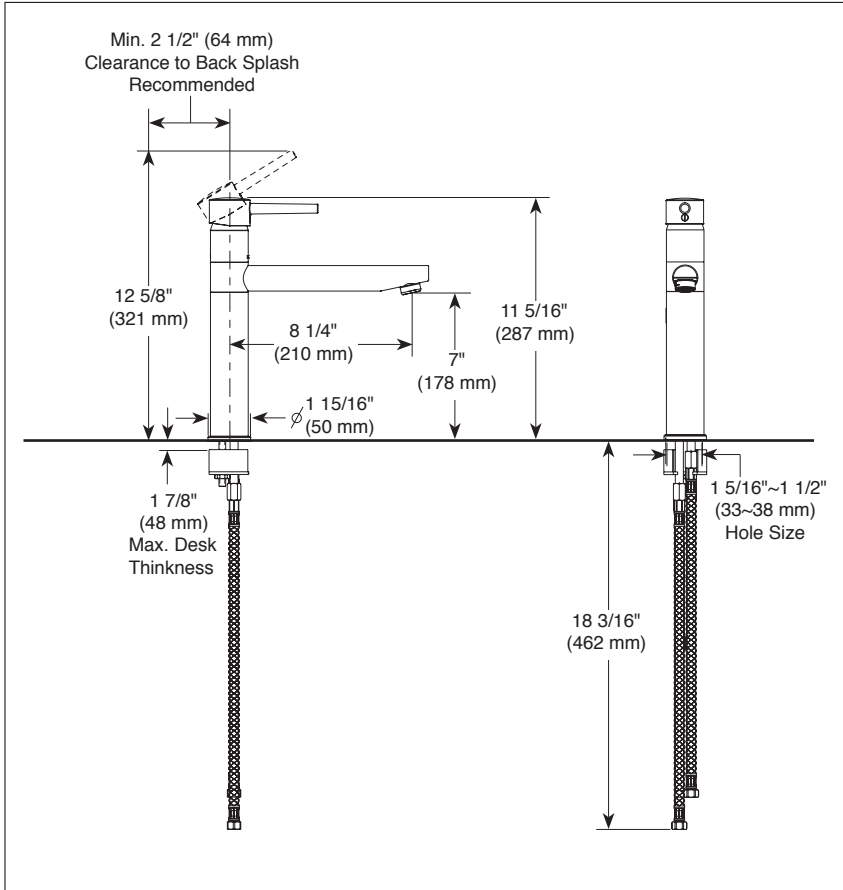
- ASME A112.18.1 / CSA B125.1
- ♿ Indicates compliance to ICC/ANSI A117.1
- Verified compliant with .25% weighted average Pb content regulations.



1159LF▲

Submitted Model No.: _____

Specific Features: _____



▲ Designate proper finish suffix

Delta reserves the right (1) to make changes in specifications and materials, and (2) to change or discontinue models, both without notice or obligation. Dimensions are for reference only. See current full-line price book or www.deltafaucet.com for finish options and product availability.

DSP-K-1159LF Rev. E

Delta Faucet Company

55 E. 111th Street, Indianapolis, IN 46280
 350 South Edgeware Road, St. Thomas, ON N5P 4L1
 © 2021 Delta Faucet Company