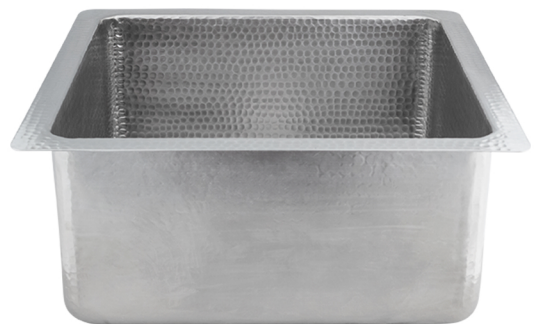
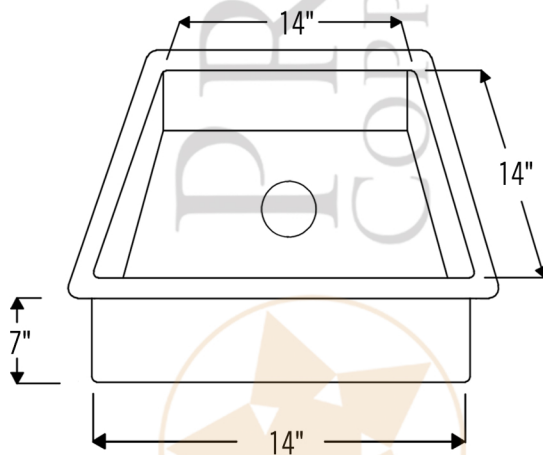
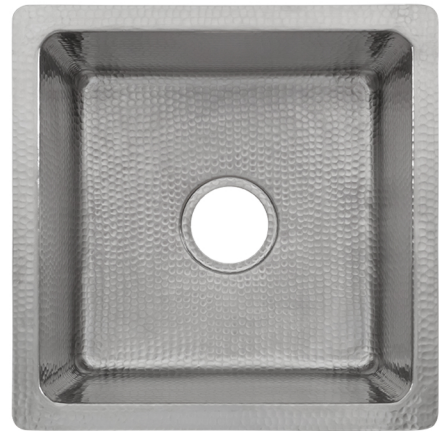
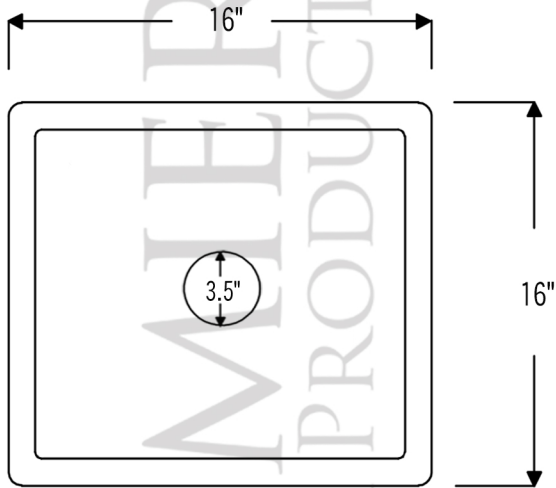




PREMIER
COPPER PRODUCTS

MODEL NUMBER: BS16EN3

- * Description: 16" Square Hammered Copper Bar/Prep Sink in Nickel with 3.5" Drain Opening
- * Outer Dimension: 16" x 16" x 7"
- * Inner Dimension: 14" x 14" x 7"
- * Gauge: 14
- * Rim: 1"
- * Drain Opening: 3.5"
- * Finish: Nickel



THIS PRODUCT IS HAND CRAFTED, SMALL VARIANCES IN COLOR AND SIZE MAY OCCUR.
DO NOT MAKE ANY INSTALLATION CUTS UNTIL YOU RECEIVE YOUR ITEM(S).