

# BLANCO

## Faucet Specifications

Color	SKU
stainless steel	402043

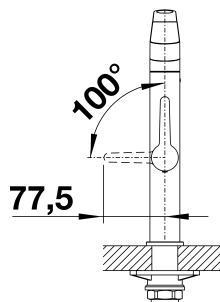
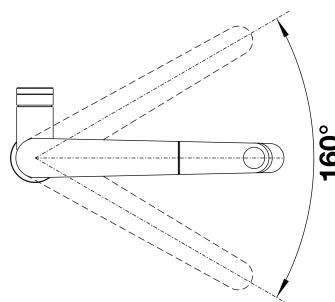
## Product Features

- Solid stainless steel construction
- Premium insulated stainless steel handspray
- 160° swivel for controlled range of motion
- Pull-out, insulated handspray with dual selectable spray patterns
- Ceramic disc cartridge
- 1.5 GPM (Gallons Per Minute) flow rate

## Planning information

All faucet parts required for installation are included.  
ASME A112.18.1/CSA B125.1, NSF/ANSI/CAN 61,  
NSF/ANSI 372 listed  
AB 1953, CEC, CalGreen, George SB 370  
compliant

## PANERA solid



### Warranty

BLANCO offers a limited lifetime warranty on all sinks and faucets, as well as a one-year warranty on all custom accessories.

### Code/Standards Compliance

BLANCO sinks and faucets are third-party tested and certified to standards and listed by applicable certification bodies. For more information on individual product listings, contact our office or listing organization.



View our how-to videos to learn more about installing and caring for BLANCO products:  
<https://www.blanco.com/us-en/service/how-to-videos/how-to-videos-for-sinks/>

Questions? Contact us today



BLANCO America, Inc.  
110 Mount Holly By-Pass  
Lumberton, NJ 08048

Phone & Fax  
Phone: 888-668-6201  
Fax: 609-668-6211

While BLANCO endeavors to provide accurate information, all dimensions are nominal, cannot be guaranteed, and are subject to change or cancellation. BLANCO assumes no responsibility for use of superseded or voided specifications.

