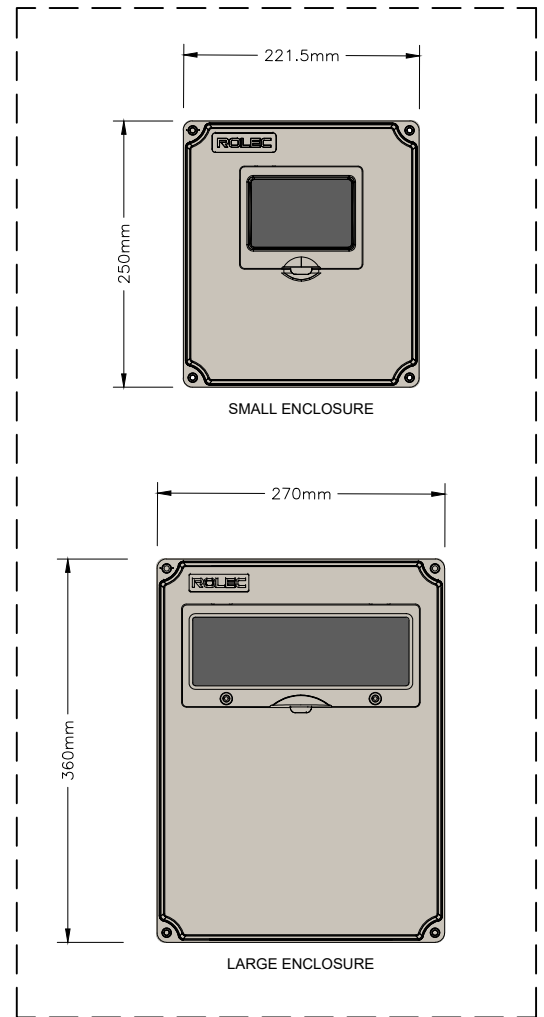
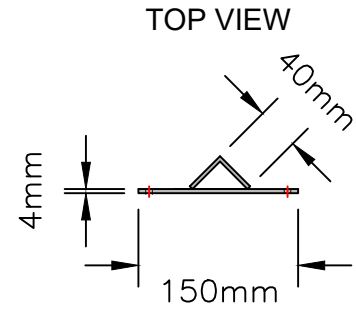



FRONT VIEW

SIDE VIEW



1350mm GALVANISED POST TO SUIT NEW SMALL & LARGE ENCLOSURES 2020

DWG NO: LSAF0060		REVISION:	PROJECT:		
DRAWN: IR	DATE: 28/07/2020				
SCALE: NTS	SIZE: A4		CLIENT:		
 RALPHS LANE, FRAMPTON WEST, BOSTON, LINCOLNSHIRE, ENGLAND, PE20 1QU WWW.ROLECSERV.COM T: +44 (0)1205 724754		TITLE: 1350MM GALVANISED POST TO SUIT NEW SMALL & LARGE ENCLOSURES 2020			
		POST REVISED TO SUIT NEW BULLET SAMPLE	A	14/08/2020	
REVISION DETAILS:		REV:	DATE:		