

INSTRUCTION FOR REMOVING BAFFLES FROM SHARKROAD 4.0" / 4.5" SLIP-ON MUFFLERS

Thank you for your order and support of SHARKROAD 4.0" & 4.5" mufflers

Make sure that THE BIKE is completely cooled down before ANY OPERATION.

Wearing a glove is recommended.

Please be careful, you might get hurt while operating.

1. Get the pipes out of the protective box. Put the muffler on a soft, thick carpet or some sort of anti-impact place without scratching the surface.
2. End caps are only fixed with 2*M6 Bolts on the top and bottom. Use a 4MM Allen Wrench to off the bolts. **(Figure 1)** Save the bolts aside, we also need to reuse them later.
3. Next, get the end cap off the pipe. If they are too tight, then you need to wrap the end cap with a thick towel. And use a rubber hammer to knock the end cap wiggling. **(Figure 2)**
4. Get the end caps off. And put them aside without scratching the surface. We will install them back after we get the baffle out.
5. Now, look into the pipe from the end of the muffler. You will see a louvered-baffle pipe inside. **(Figure 3)**
6. The baffle is not fixed with bolts or any other lock items. They were only hammered in and tight against the inlet neck. **(Figure 4)** So what we need to do is just use a puller or something get it swiggling away the inlet neck.
7. Or you can use rubber hammer to tap the outside pipe. Then the baffle will also vibrated out. **(Figure 5)**
8. If you have installed the pipe onto the bike, then you can only use a puller to make the baffle swiggling. **(Figure 6)**
9. Once the baffle is swiggling. You can use a plier or some sort of puller to get the baffle out easily. **(Figure 7)**
10. After getting the baffle out, then install the end caps back to the pipe. **(Figure 8)**
11. Insert the end caps back into the pipe. Please be sure the screw holes on the end caps and pipes are aligned.
12. If you cannot use hands to make the end cap insert into the pipe, then you need a rubber hammer to tap it in. Be careful to wrap the end cap with a thick towel from damage first. **(Figure 9)**
13. Finally using a 4MM Allen Wrench to tighten the M6 bolts back. We recommend you use a little LOCTITE to sure they are tightened up. **(Figure 10)**
14. Last, before you start your bike, please sure you already wipe all the fingerprints or saints away. If you leave a fingerprint to it, the chrome or black paint may discolor when it heats up!

Figure 1

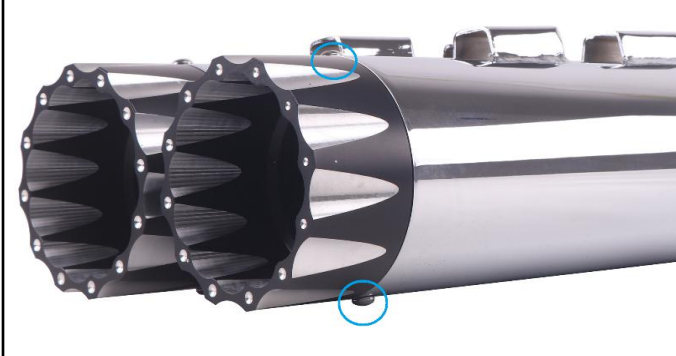


Figure 2



Figure 3



Figure 4

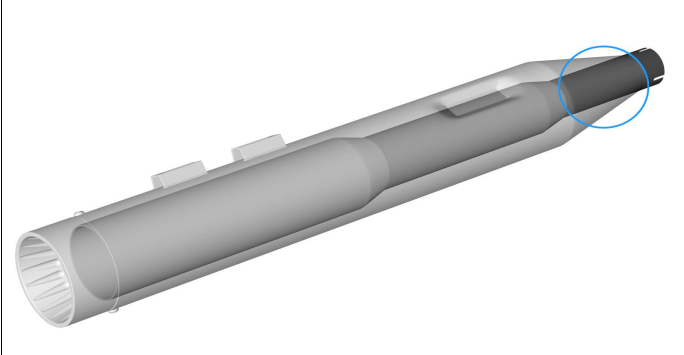


Figure 5

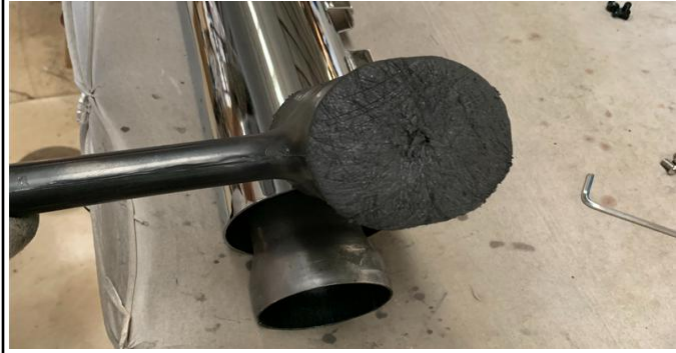


Figure 6



Figure 7



Figure 8



Figure 9



Figure 10

