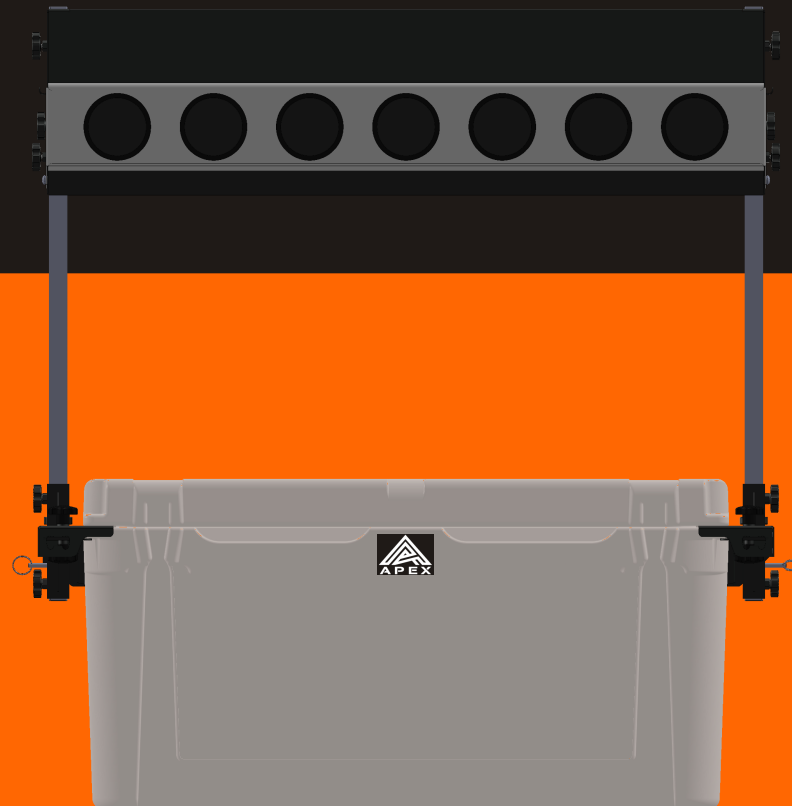




TOP SHELF

INSTALLATION GUIDE



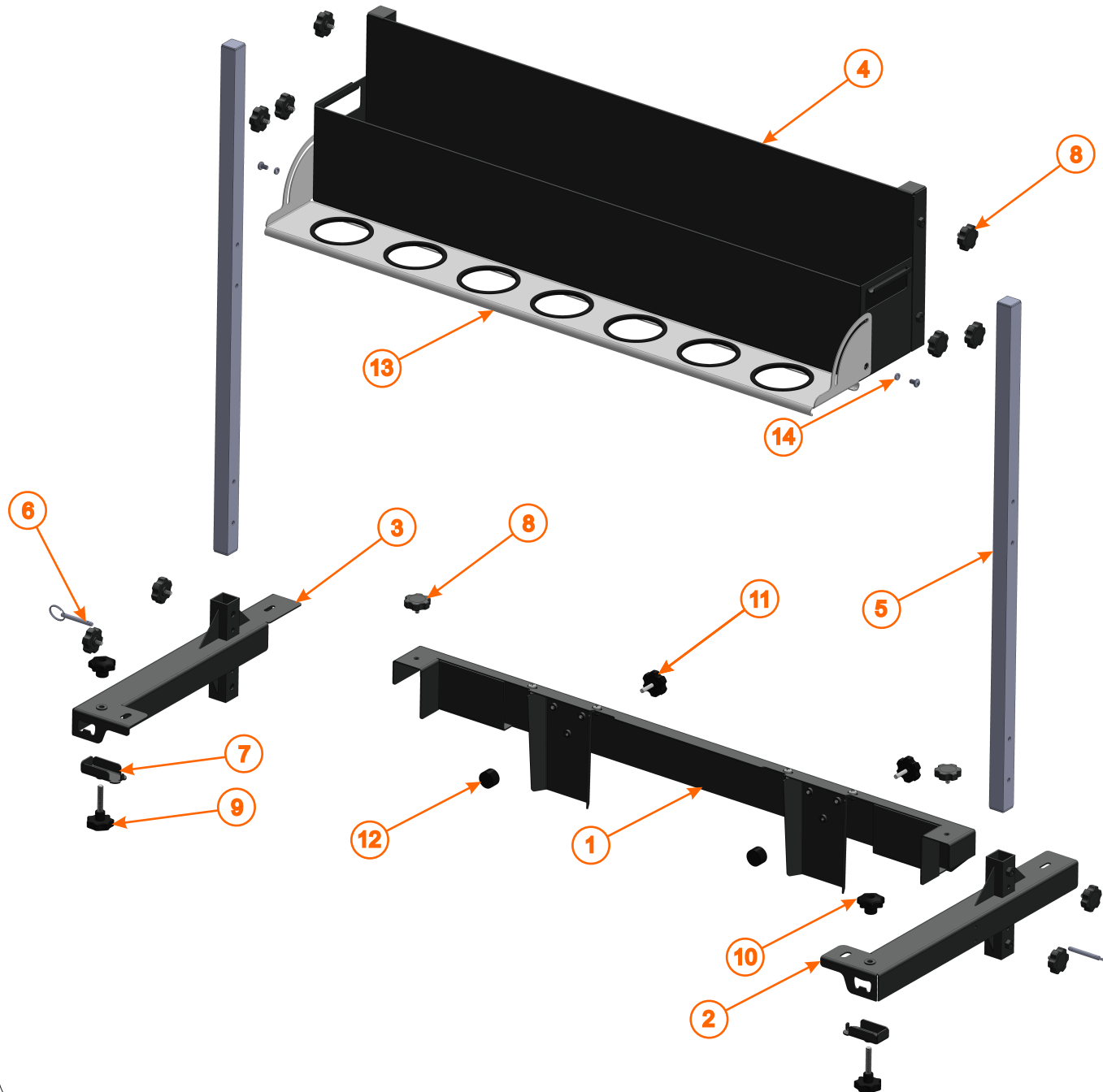
INTRODUCTION

Congratulations on the purchase of your Top Shelf. Keep reading and before you know it your party station will be ready to go. Your Top Shelf can be used with the A75 alone, or if you need the perfect tailgating or pasture party set-up, mount your Top Shelf on your A75 cooler attached to the Apex A75 Hitch Rack (obviously don't drive with your Top Shelf installed). For more information, please check out www.apexcoolers.com

The following is a step by step guide to help you with the installation of your Top Shelf. We strongly recommend that you read this entire guide before beginning the installation process.

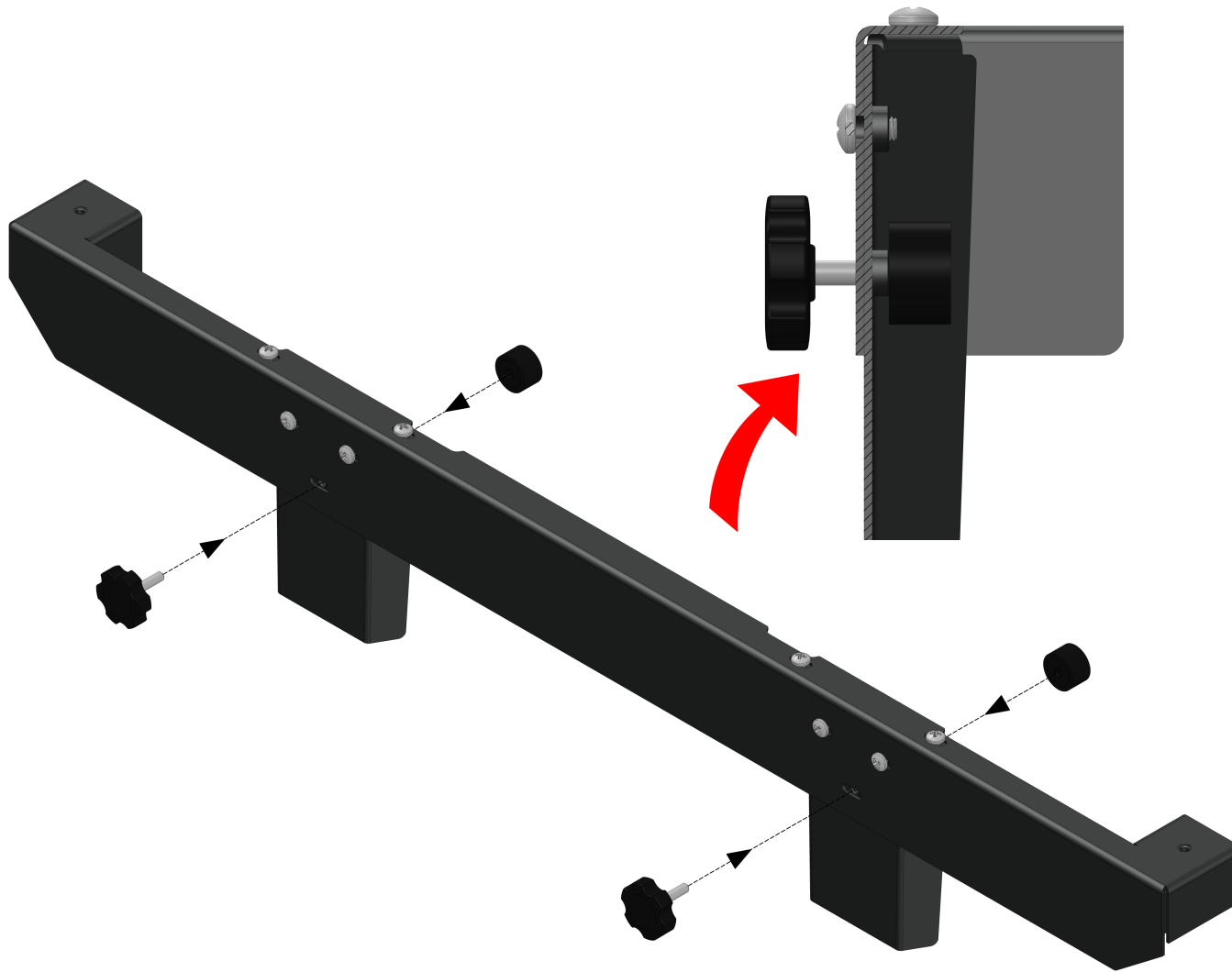
If you have any questions, please reach out to info@apexcoolers.com before going any further in the installation process. Apex cooler system is not responsible for any damage caused during your installation process.

PARTS LIST



Item No.	Description	Qty.
1	Wing Arm	1
2	Right Arm	1
3	Left Arm	1
4	Top Shelf	1
5	Square Post	2
6	Quick Released Pin	2
7	Clamp	2
8	Thumb Screw-M6	12
9	Male Knob-M8	2
10	Female Knob-M8	2
11	Bumper Screws	2
12	Bumpers	2
13	Cup Tray	1
14	Cup Shelf Hinge	2

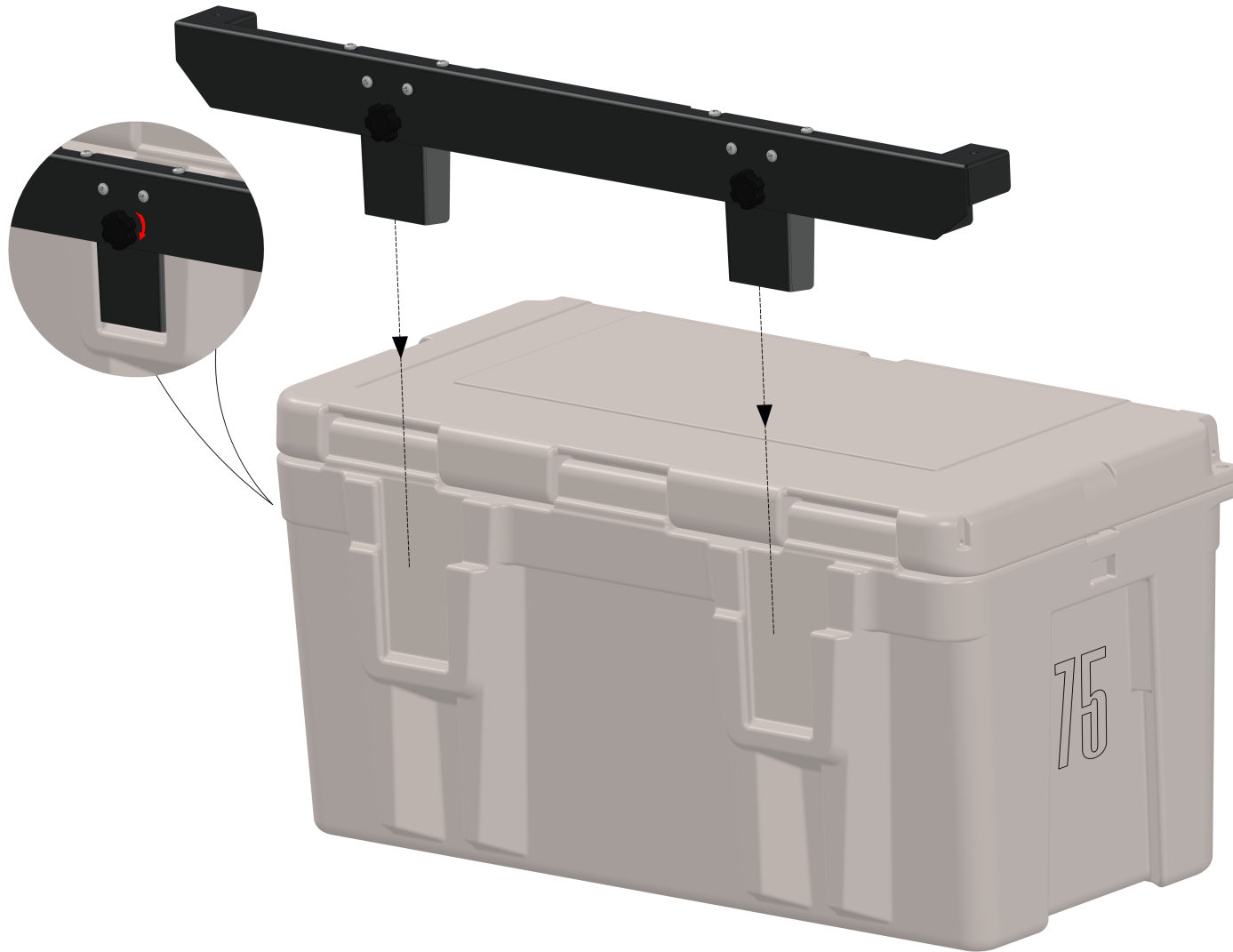
INSTALLATION OF TOP SHELF



STEP 1

Insert the Bumper Screws on the outside of both wings of the Wing Arm just so that the threads of the Bumper Screw emerge on the inside of the Wing. Thread the Bumpers onto the Bumper Screw on the inside of the Wing.

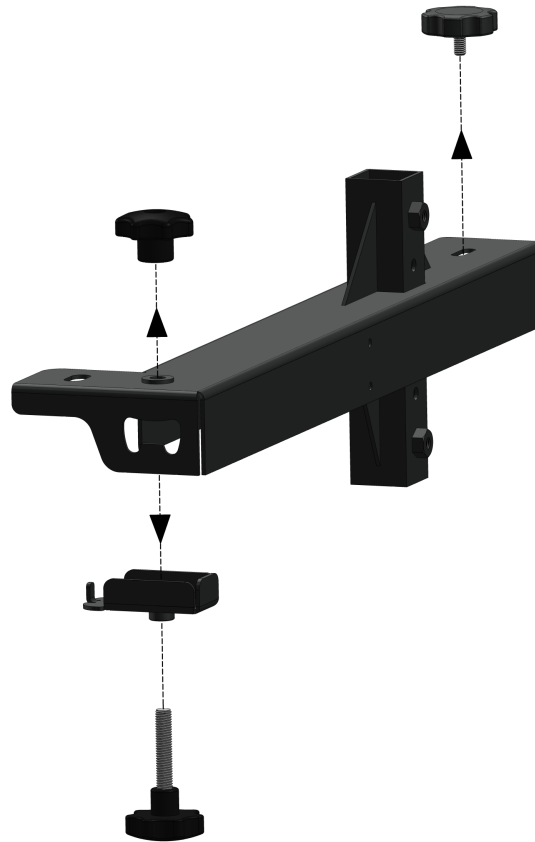
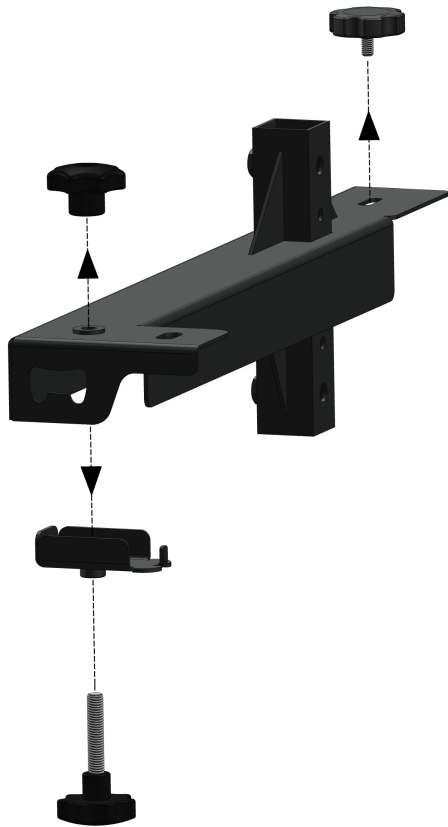
INSTALLATION OF TOP SHELF



STEP 2

Insert the Wing Arm into the rear integration points on the back of the A75 as shown. It may be that you need to adjust your Wing(s) slightly so that it will fit squarely into the rear integration points on the A75. If so, simply loosen the screws in the top of the Wing and slide the Wing in the direction needed so that it fits properly into the rear integration points of the A75. If you have to make this adjustment to the Wing, you will also need to first remove the Bumper Screws and Bumpers before adjusting the Wing. Once the Wing is adjusted, reinstall the Bumper Screw and Bumpers as described above before inserting the Wing Arm into the A75.

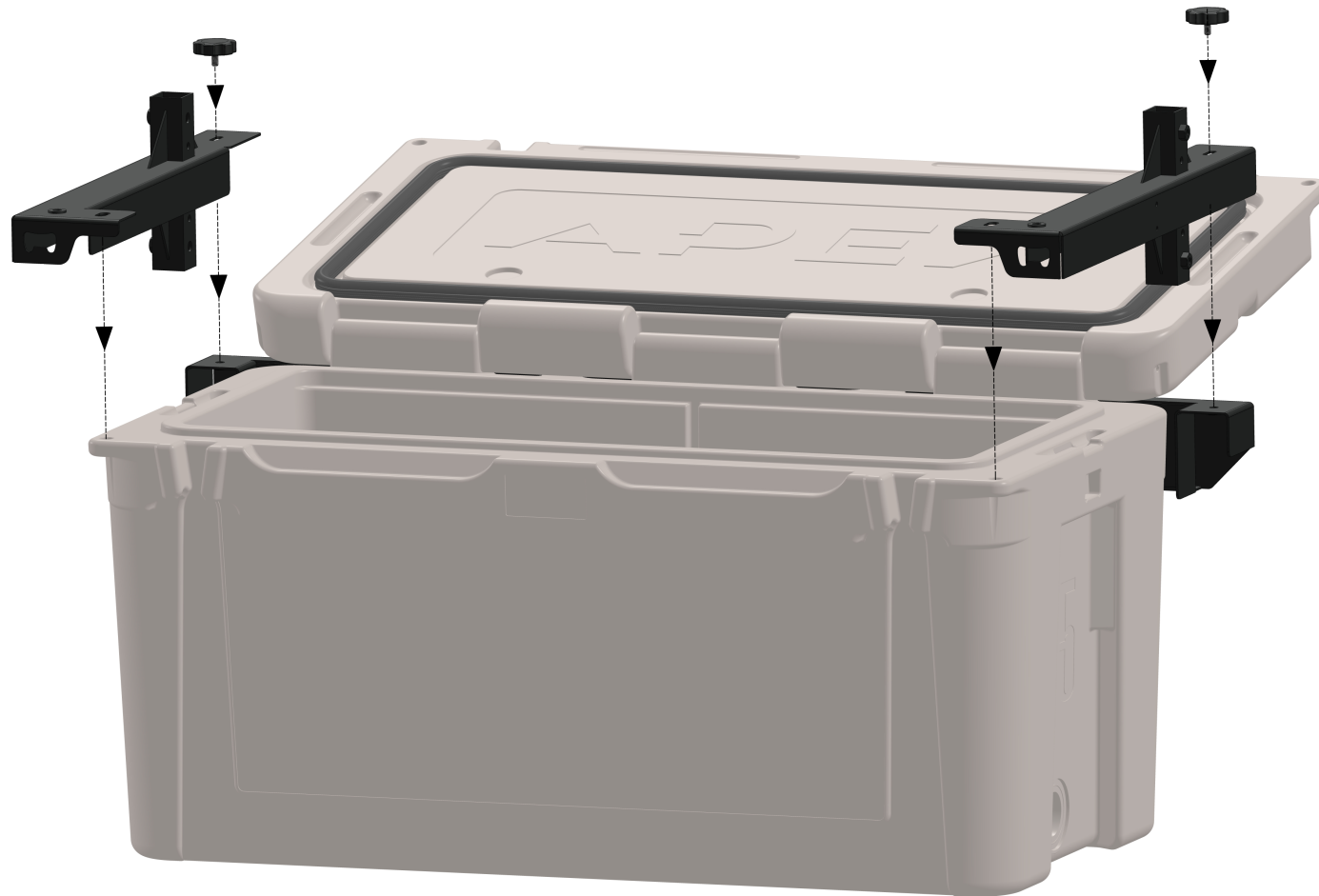
INSTALLATION OF TOP SHELF



STEP 3

Before installing the Right and Left Arms, first remove the Thumb Screw and the Bolt and Female Knob from the end of the Arm by loosening the Female Knob and removing the Bolt and the Clamp.

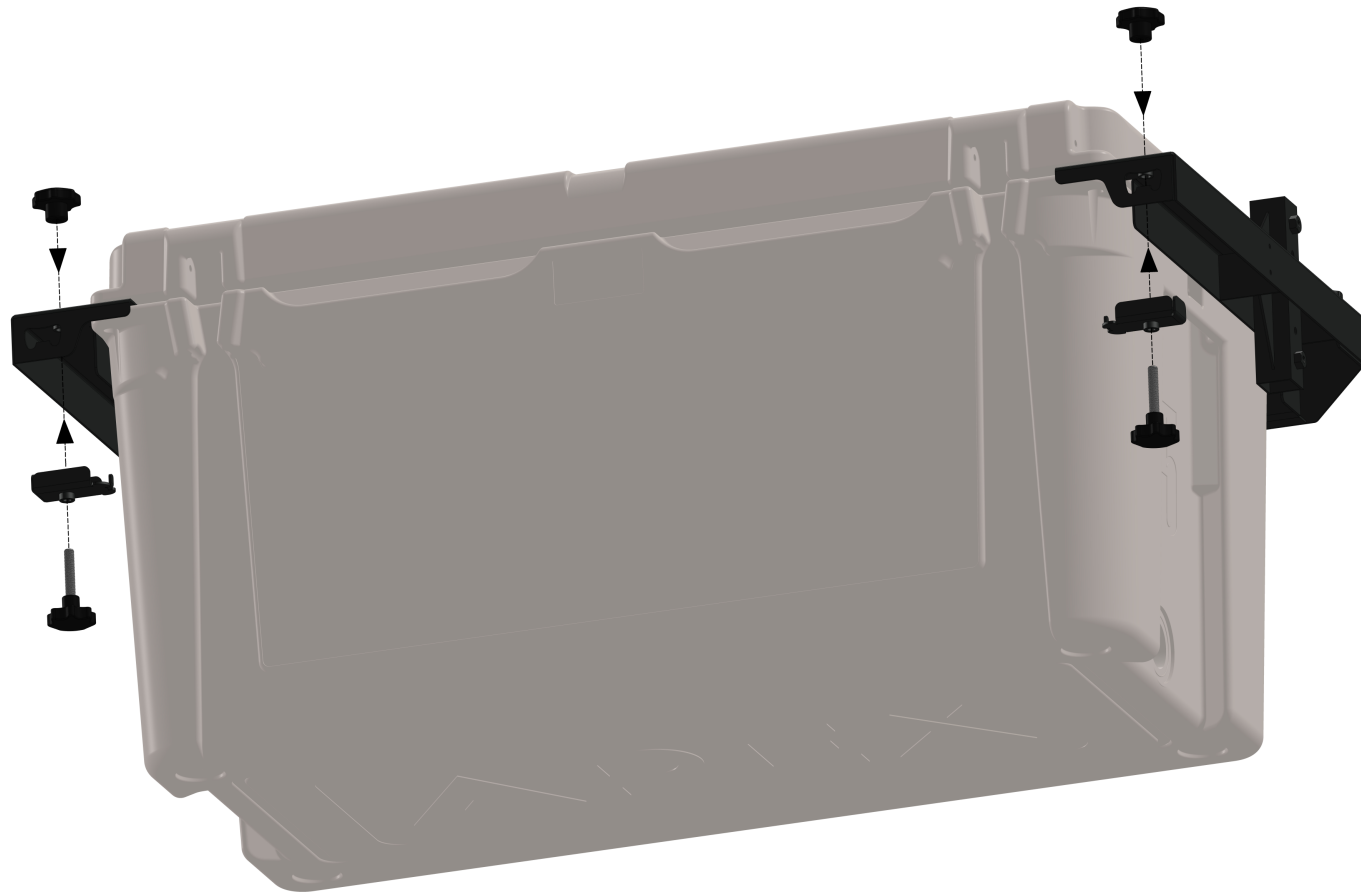
INSTALLATION OF TOP SHELF



STEP 4

Open the lid of the A75 and place the Right and Left Arms on the sides of the base of the A75 as depicted. Now, further secure the Arms by inserting a Thumb Screw in the top of the rear of the Arm so that the Thumb Screw threads into the opening in the Rear Wing.

INSTALLATION OF TOP SHELF



STEP 5

Now, install the Clamp on the underside of the top of the base of the cooler as depicted, by making sure that the Pin on the Clamp passes through the padlock hole in the top base of the A75. Then pass the Bolt through the hole in the Clamp and secure the Bolt with the Female knob so that the Arm fits securely on the base of the A75.

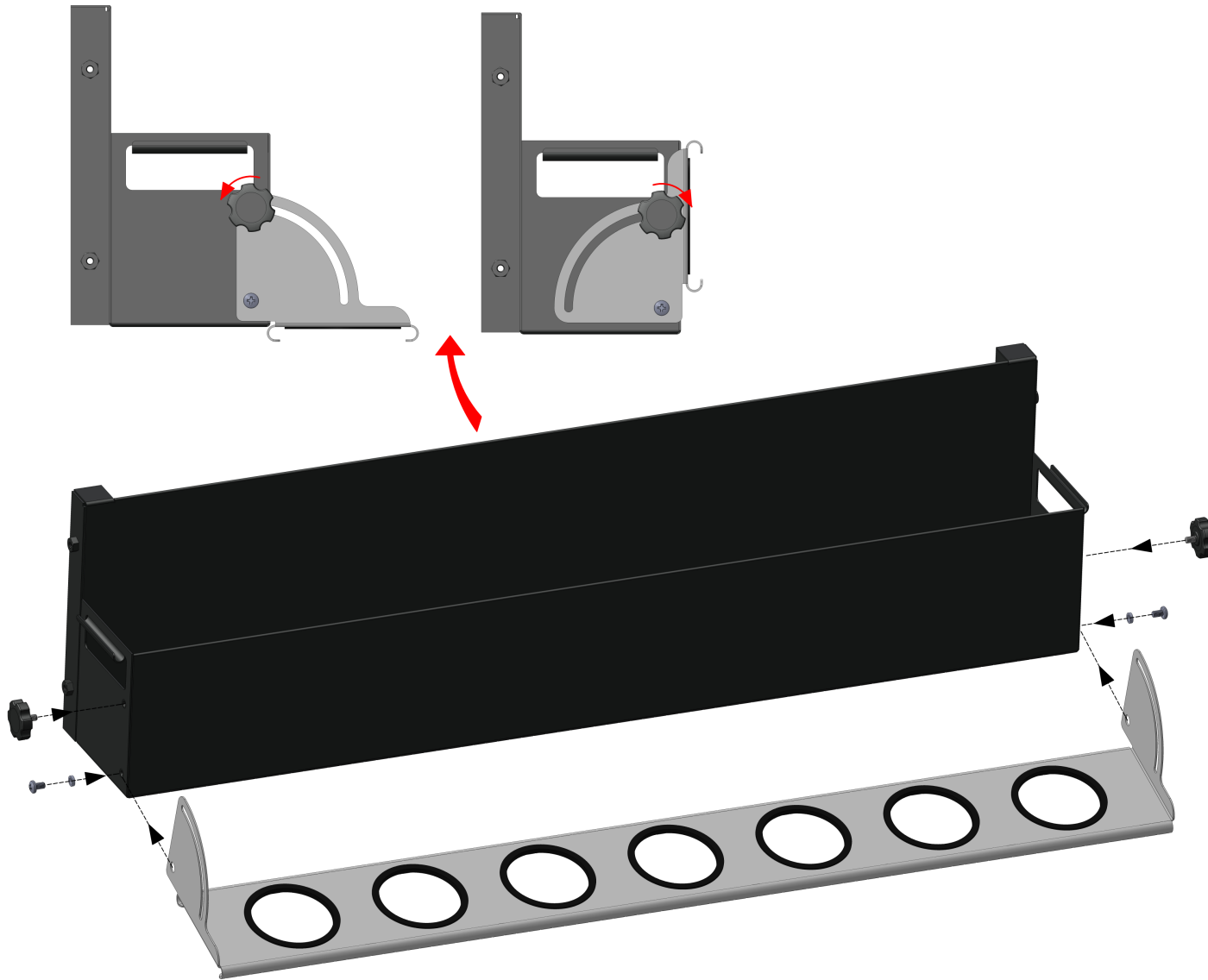
INSTALLATION OF TOP SHELF



STEP 6

Insert the Square Tubes in the vertical square uprights in the middle of the Right and Left arm as depicted. Once the base of the Square Tube is flush with the base of the vertical square upright, then secure the Square Tube using two Thumb Screws and Quick Released Pin on the outside of the vertical square upright as depicted. It is important that both Square Tubes are the same height once installed or the Top Shelf (see Step 8) will not mount easily.

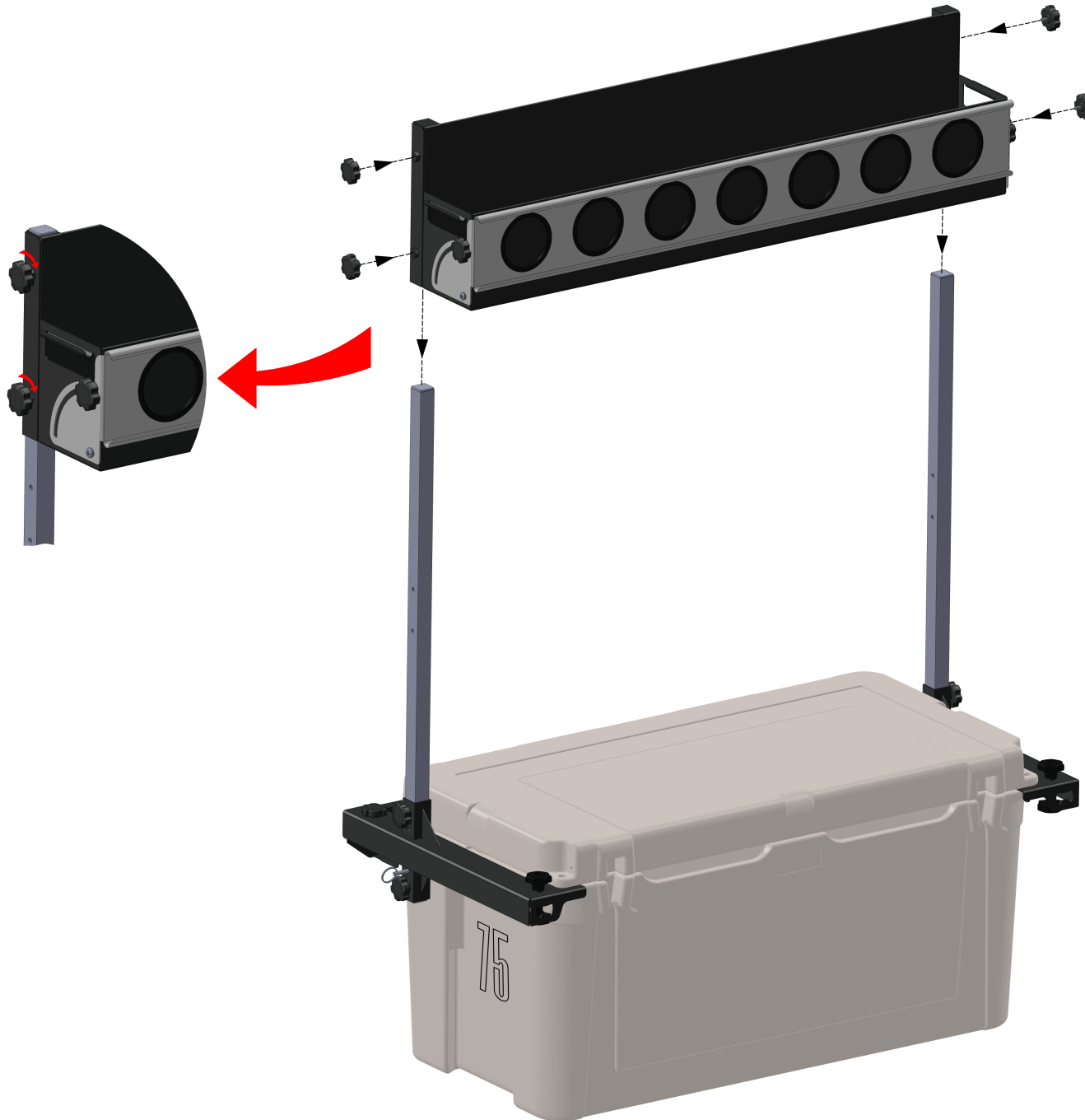
INSTALLATION OF TOP SHELF



STEP 7

Mount the Cup Tray on the Top Shelf with the help of Screw, Cup Shelf Hinge and Thumb Screws. Loosen and tighten the Thumb Screw, to open and close the Cup Tray.

INSTALLATION OF TOP SHELF



STEP 8

Insert the Top Shelf on top of the Square Tubes until the Top Shelf insert spots can not go any further down the Square Tube. Then secure the Top Shelf with Thumb Screws as depicted.



APEX

COOLER SYSTEM

APEXCOOLERS.COM