



# SIDE RACK

## INSTALLATION GUIDE



## **INTRODUCTION**

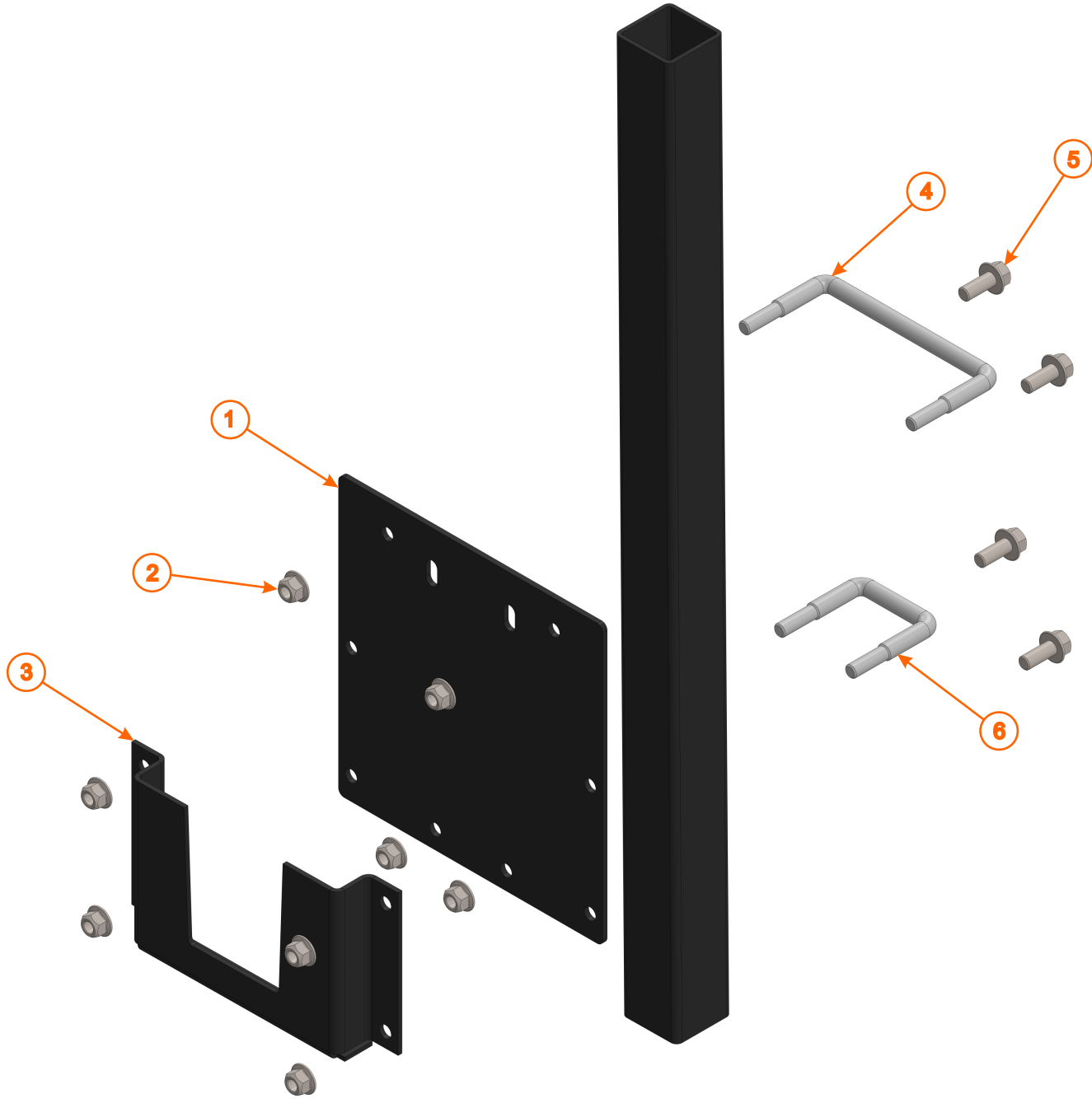
---

**Congratulations on the purchase of your Side Rack. This Attachment is designed to secure your A20 cooler to a vertical pipe of 1", 2" or 3" in outside diameter. So, it is perfect for UTV beds, truck beds, flat beds, service bodies, utility trailers etc.**

**The following is a step by step guide to help you with the installation of your Side Rack. We strongly recommend that you read this entire guide before beginning the installation process. If after reviewing the guide, you are not completely comfortable completing the installation process, please hire a commercial installer to install your Side Rack.**

**Apex Cooler System is not liable for any damage done to your vehicle, trailer or other equipment resulting from the installation of the Side Rack.**

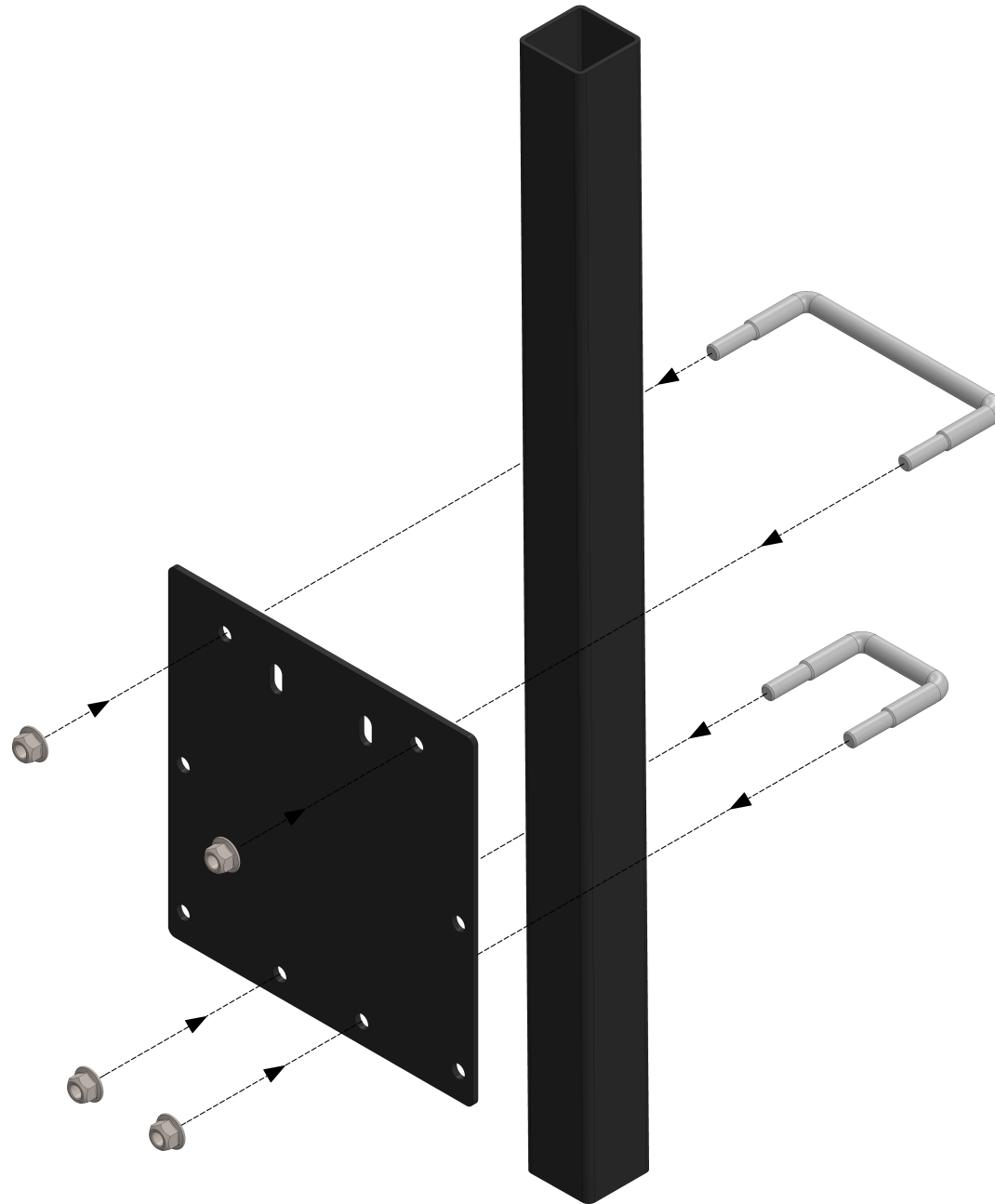
# PARTS LIST



Item No.	Description	Qty.
1	Back Plate	1
2	Flange Hex Nut	8
3	Dovetail Mount	1
4	Top U-Bolt	1
5	Flange Hex Bolt	4
6	Bottom U-Bolt	1

## INSTALLATION OF SIDE RACK

---

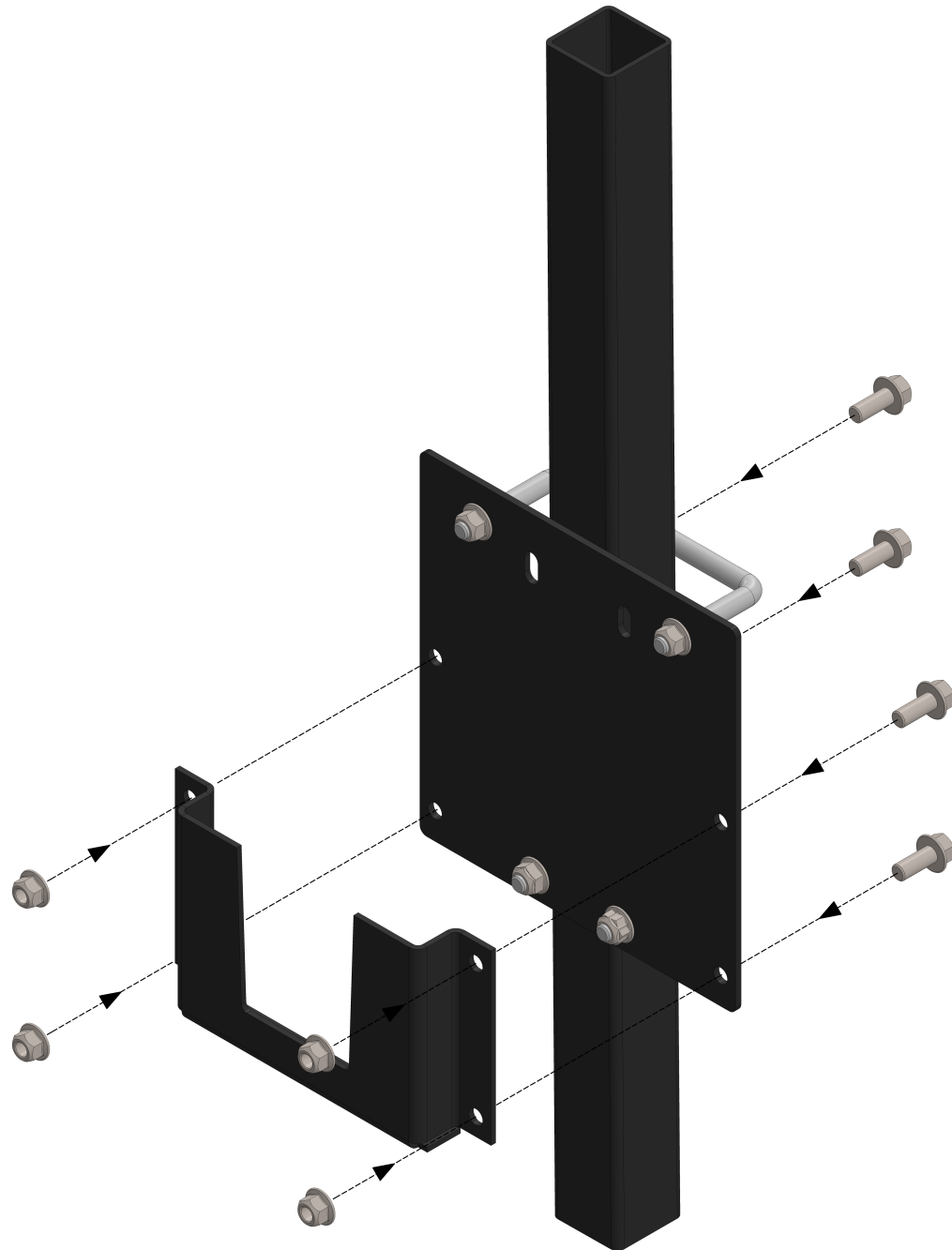


### STEP 1

**Mount the Back Plate on the vertical pipe where you want to mount the Side Rack using the U-Bolts and Flange Hex Nuts as shown in the image.**

## INSTALLATION OF SIDE RACK

---

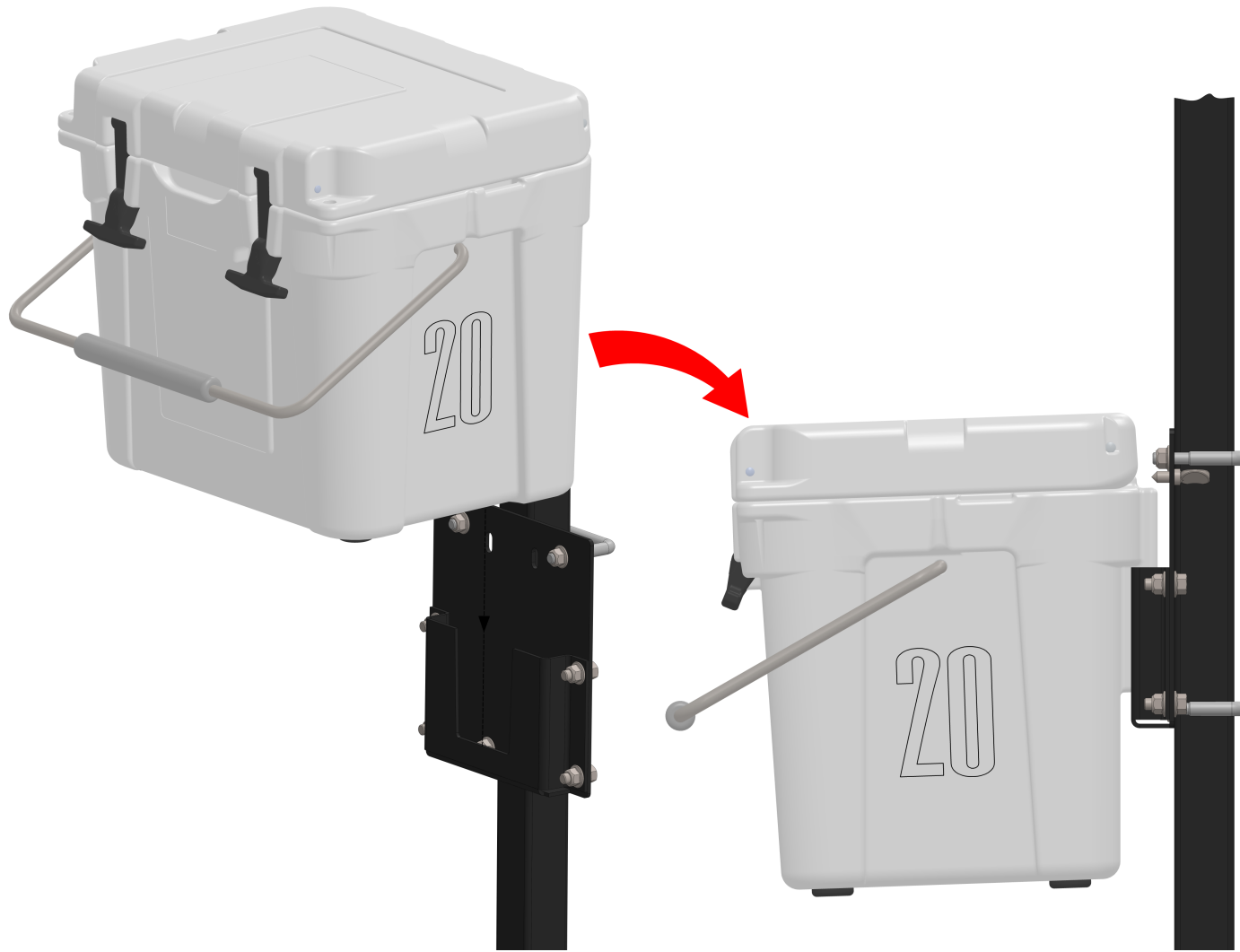


### STEP 2

Mount the Dovetail Mount on the Back Plate using the Flange Hex Bolts and Flange Hex Nuts as shown in the image.

## INSTALLATION OF SIDE RACK

---



### STEP 3

**Position the A20 cooler above the Dovetail Mount. So that the male molded piece of the back of the A20 insert into the female Dovetail Mount. Then finish lowering the A20 onto the base of Dovetail Mount as shown in the image.**



**APEX**

**COOLER SYSTEM**

**[APEXCOOLERS.COM](http://APEXCOOLERS.COM)**