



# 20 RACK PRO

## INSTALLATION GUIDE



## INTRODUCTION

---

**Congratulations on the purchase of your 20 Rack Pro. This attachment is designed to secure your A20 cooler to a flat surface. So, it is perfect for UTV beds, truck beds, flat beds, service bodies, utility trailers etc.**

**The following is a step by step guide to help you with the installation of your 20 Rack Pro. We strongly recommend that you read this entire guide before beginning the installation process. All steps of the installation process are solely your responsibility. If after reviewing the guide, you are not completely comfortable completing the installation process, please hire a commercial installer or garage to install your 20 Rack Pro.**

**The manufacturer's warranty is exclusively limited to the repair or replacement of a defective 20 Rack Pro. Damage to your vehicle, its contents or to any person or property is excluded. Damage or failure due to improper installation, use or general wear is not covered by this warranty.**

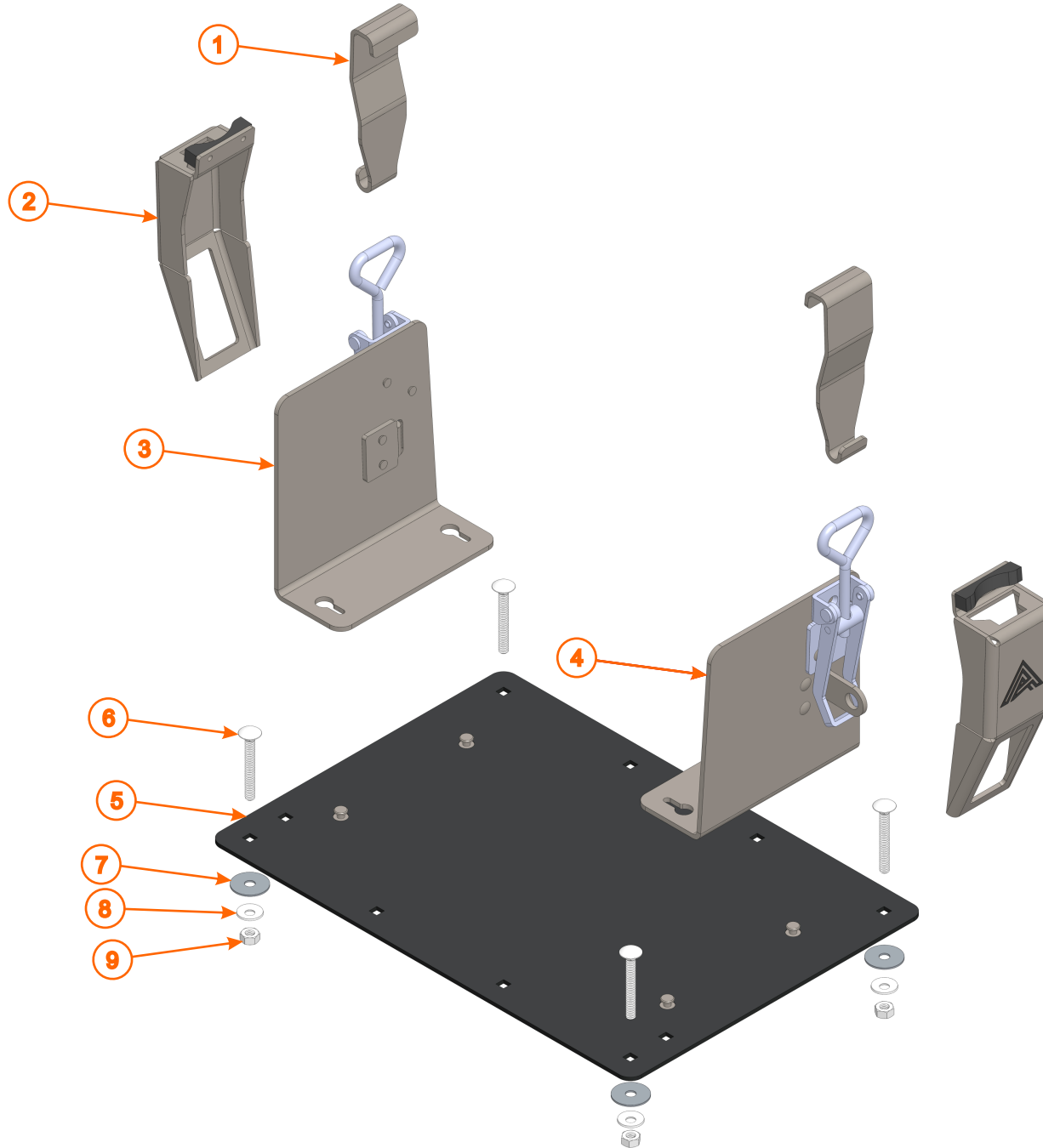
**Because of the size and structural difference between vehicles, we rely upon your discretion in attaching the 20 Rack Pro to your vehicle.**

**Prior to each use, confirm all components are properly attached, tightened and locked. It is also important to check for any signs of wear, corrosion or fatigue. If any of these issues are present, do not use the product. When traveling, periodically inspect the hardware to confirm it is fastened securely.**

**A 2 year limited warranty is included on parts (except for powder coating) that fail due to a manufacturing defect. Please visit [apexcoolers.com](http://apexcoolers.com) for more information.**

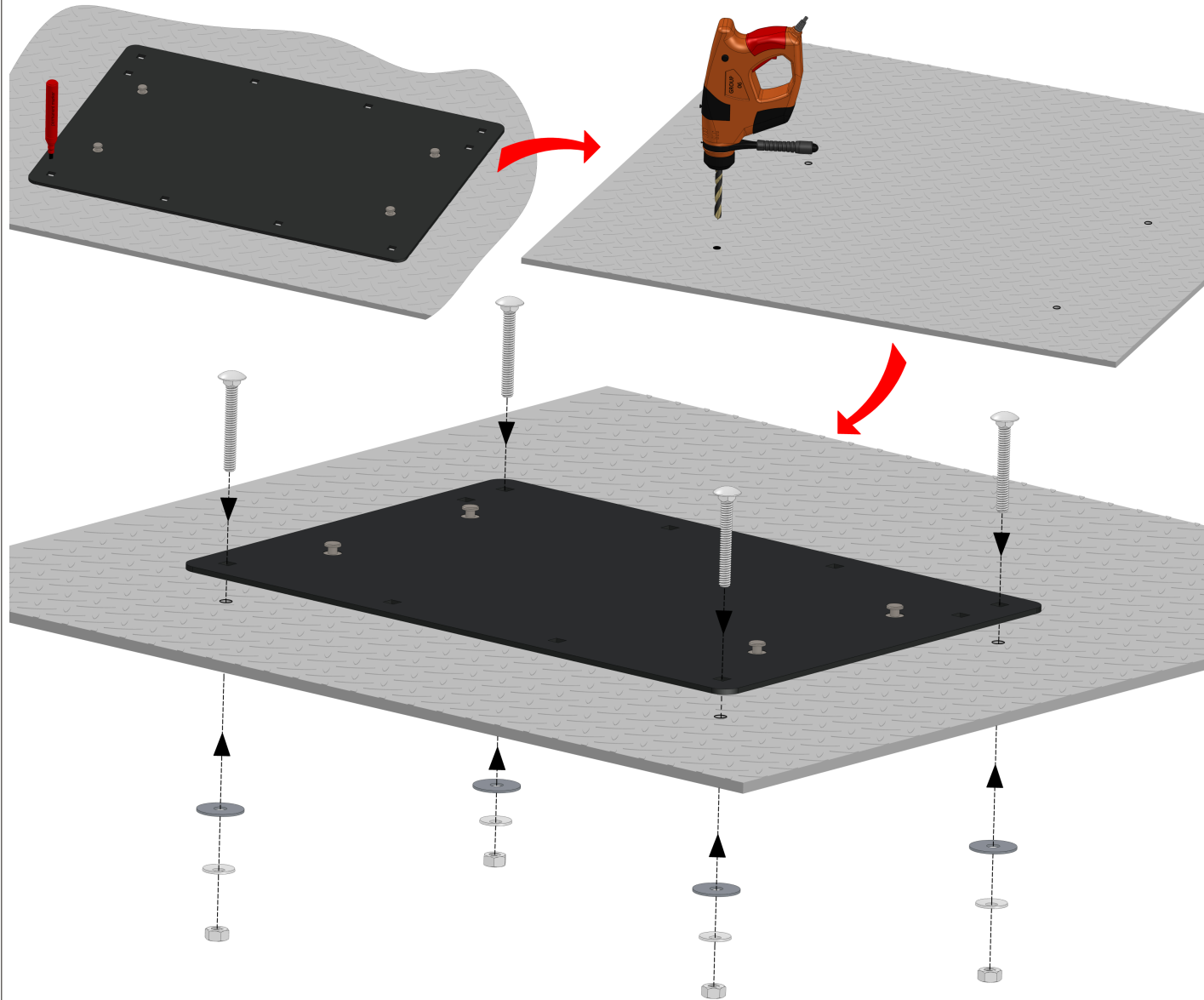
**Apex Cooler System is not liable for any damage done to your vehicle, trailer or other equipment resulting from the installation of the 20 Rack Pro.**

# PARTS LIST



Item No.	Description	Qty.
1	Cooler Strap	2
2	Latch Cover	2
3	Left Wing	1
4	Right Wing	1
5	Base Plate	1
6	Bolt	4
7	Washer	4
8	Lock Washer	4
9	Hex Nut	4

## INSTALLATION OF 20 RACK PRO



### STEP 1

Position the Base Plate on the flat surface where you want to mount the 20 Rack Pro. As mentioned in the **WARNING** below, look underneath the surface where you plan to mount the Base Plate to ensure that the installation hardware will not interfere with any mechanical or structural parts of the vehicle, trailer, etc.

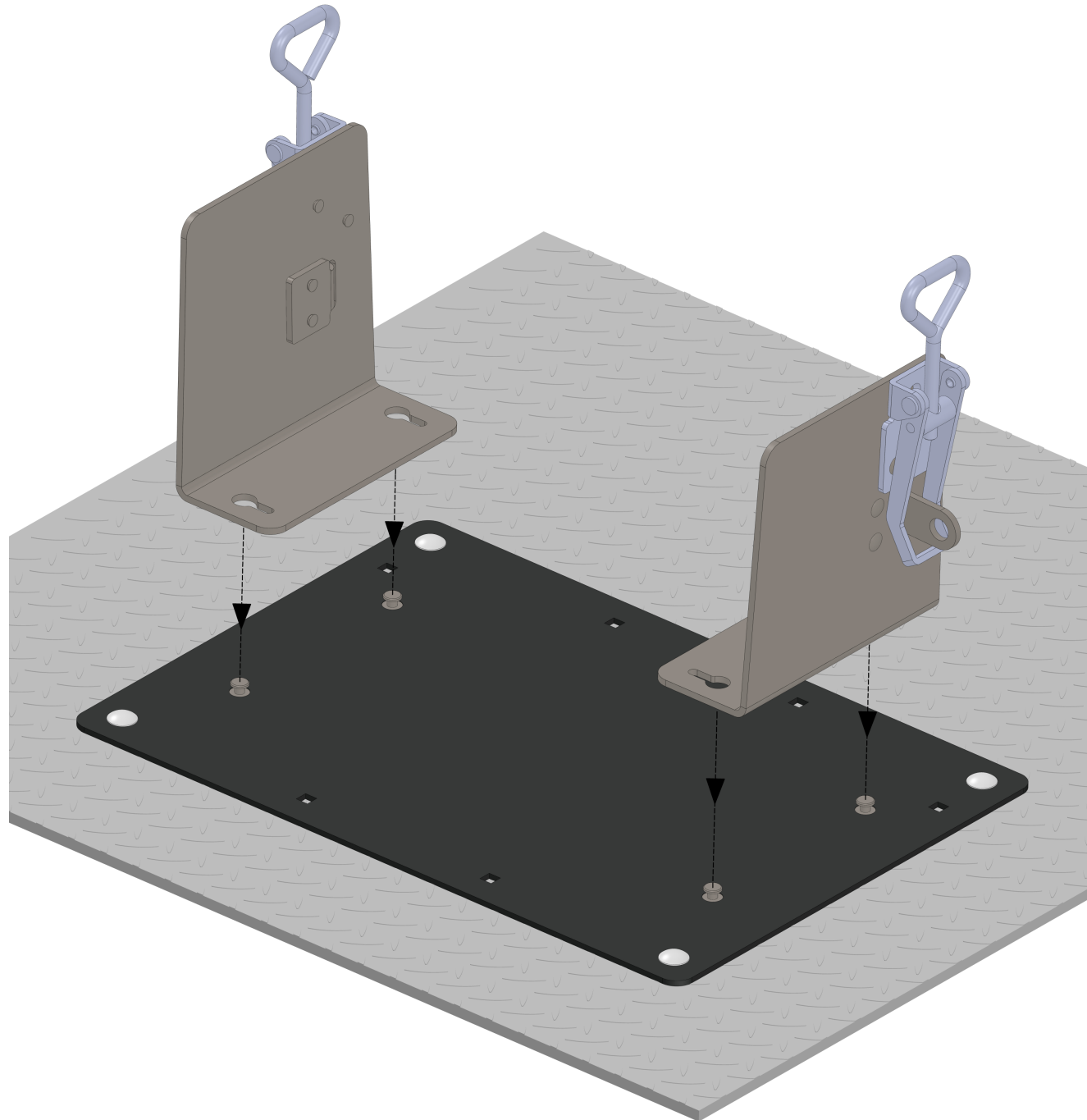
Once you have confirmed the safety of the desired position to mount the Base Plate, place a mark with a pen or chalk in four (4) of the bolt holes of the Base Plate where you want to place your installation hardware to secure the Base Plate to the surface. We recommend using the 4 corner holes as depicted in the Parts List above, if possible.

Using a 1/4" drill bit, drill the hardware installation holes in the spots you have marked. If the surface you are drilling into is metal or thick, then first drill pilot holes in the four installation holes you have marked; then, use the 1/4" drill bit to complete the installation holes for the Base Plate.

Once you have completed drilling your installation holes, then place a bolt in each of the four holes. Next, place a washer and hex nut on the underside of each bolt and tighten firmly.

**WARNING:** Look underneath your vehicle and ensure the chosen location is not near the gas tank, fuel lines, electrical wires, transmission lines, cross members or any other integral vehicle parts. Installation may require that you temporarily remove your spare tire.

## INSTALLATION OF 20 RACK PRO

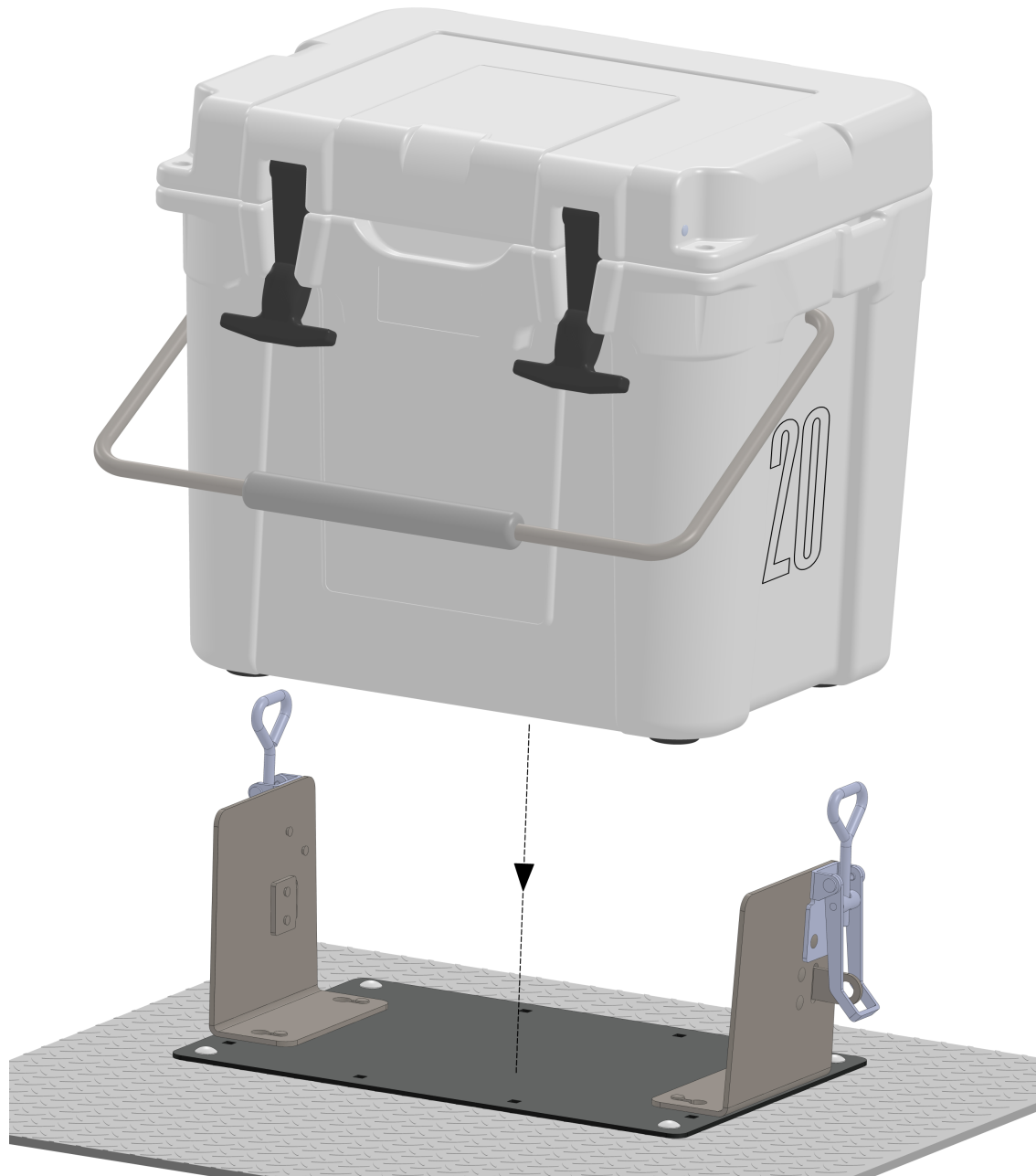


### STEP 2

Position the Left Wing on the left side of the Base Plate and the Right Wing on the right side of the Base Plate. While the Wings are marked "L" and "R" before you first remove the packaging, for future placement, when the Left and Right Wings are installed on the correct side of the Base Plate, the respective I-Bolt Latch on the Wing should be positioned on the Wing towards the back of the Base Plate. To secure the Wing to the Base Plate make sure the two tabs in the Base Plate are aligned with the two holes in the base of the Wing so that the tabs are inserted into the holes in the base of the Wing. Once the tabs pass through the holes in the base of the Wing, push the Wings towards the outside of the Base Plate to secure the Wings in place. To later remove the Wings, push the Wing towards the inside of the Base Plate so that there is enough room in the holes at the base of the Wing to lift the Wing off the tabs in the Base Plate.

## INSTALLATION OF 20 RACK PRO

---

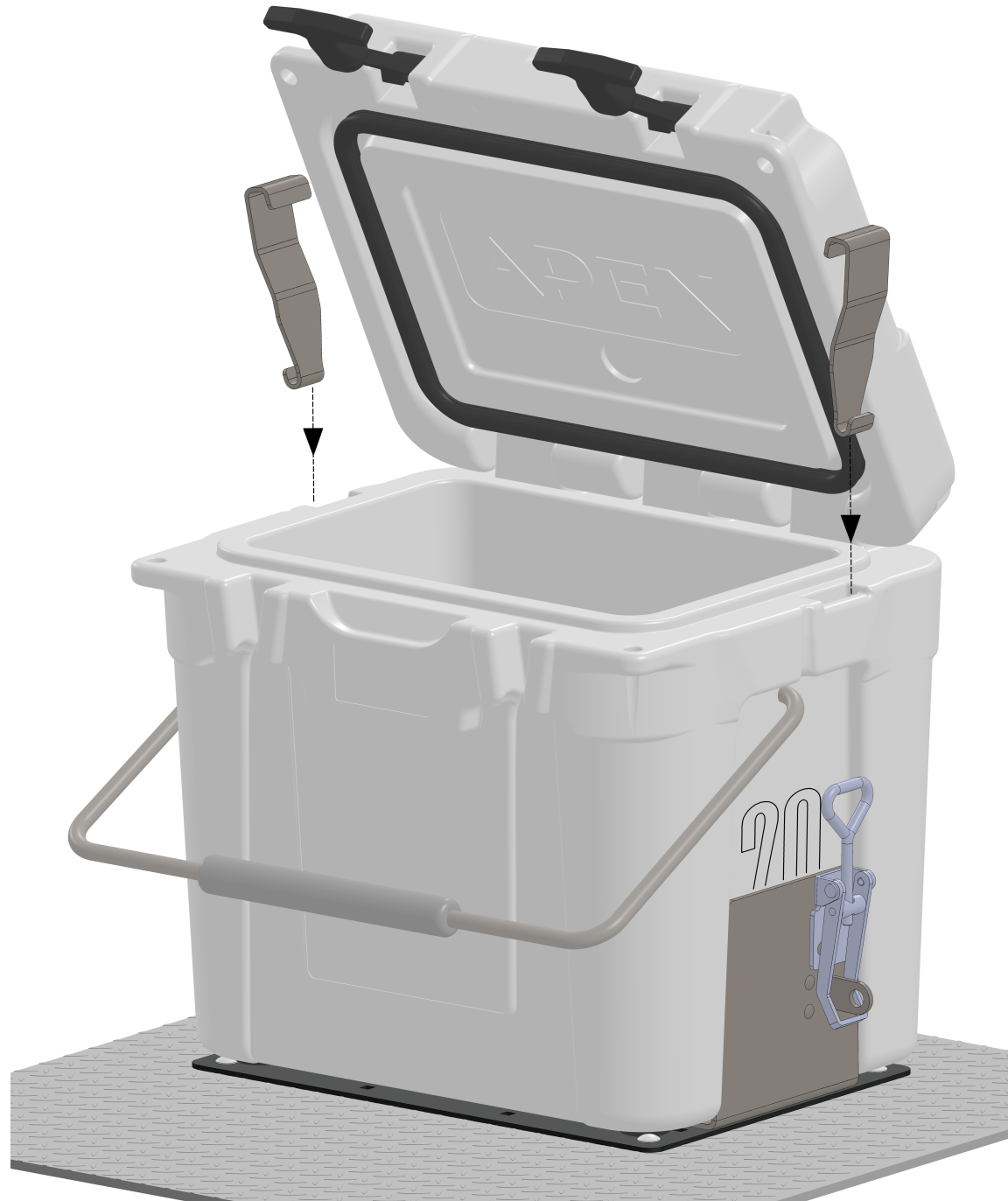


### STEP 3

Place the A20 cooler above the positioned Wings and then lower the A20 onto the Base Plate so that the Wings are on either side of the cooler and the feet of the A20 are rested on the Base Plate.

## INSTALLATION OF 20 RACK PRO

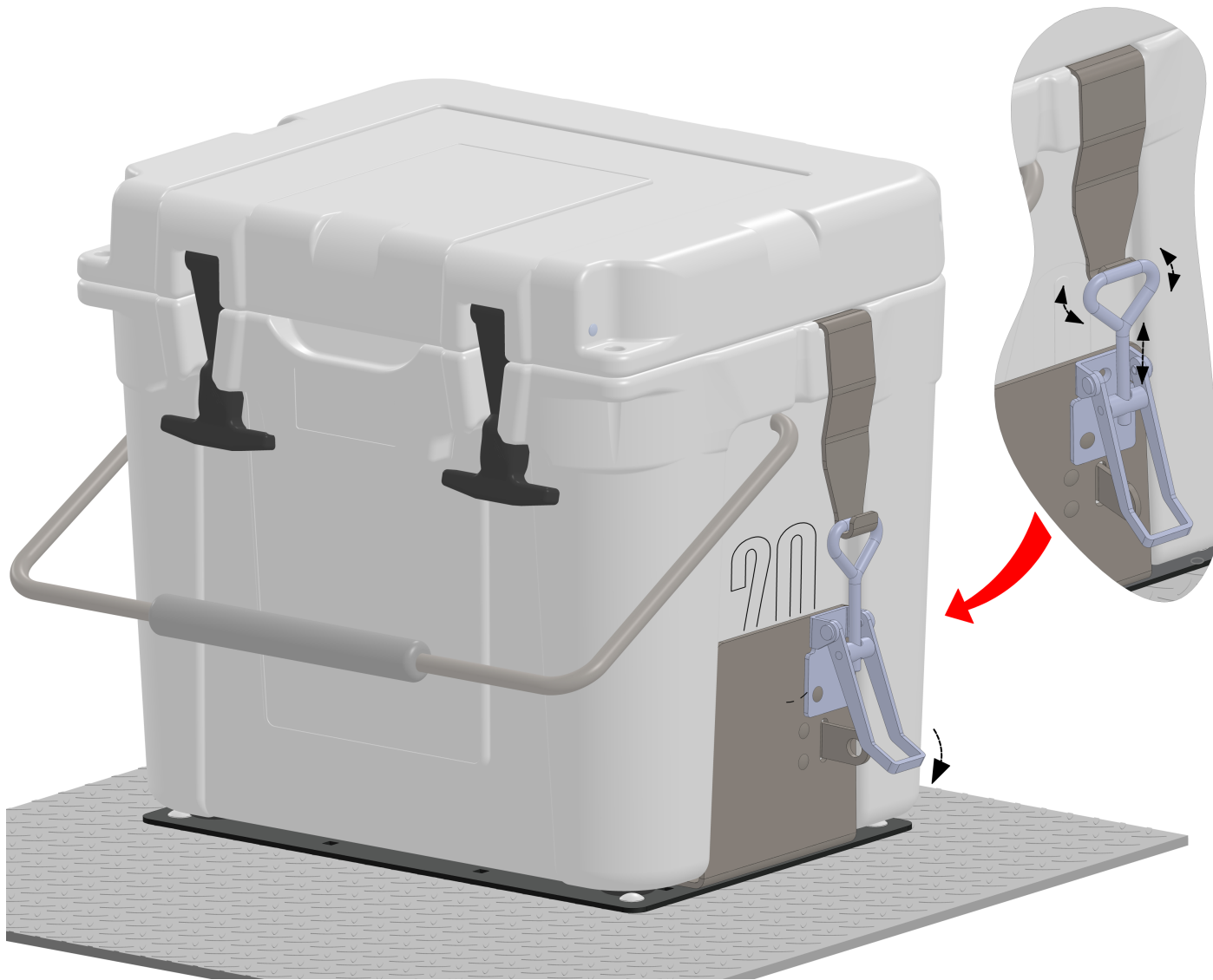
---



### STEP 4

Open the lid of the A20. Then, insert a Cooler Strap on each side of the A20 as depicted. Make sure the formed steel of the top of the Cooler Strap is secured into the formed plastic opening at the top of the base of the A20.

## INSTALLATION OF 20 RACK PRO



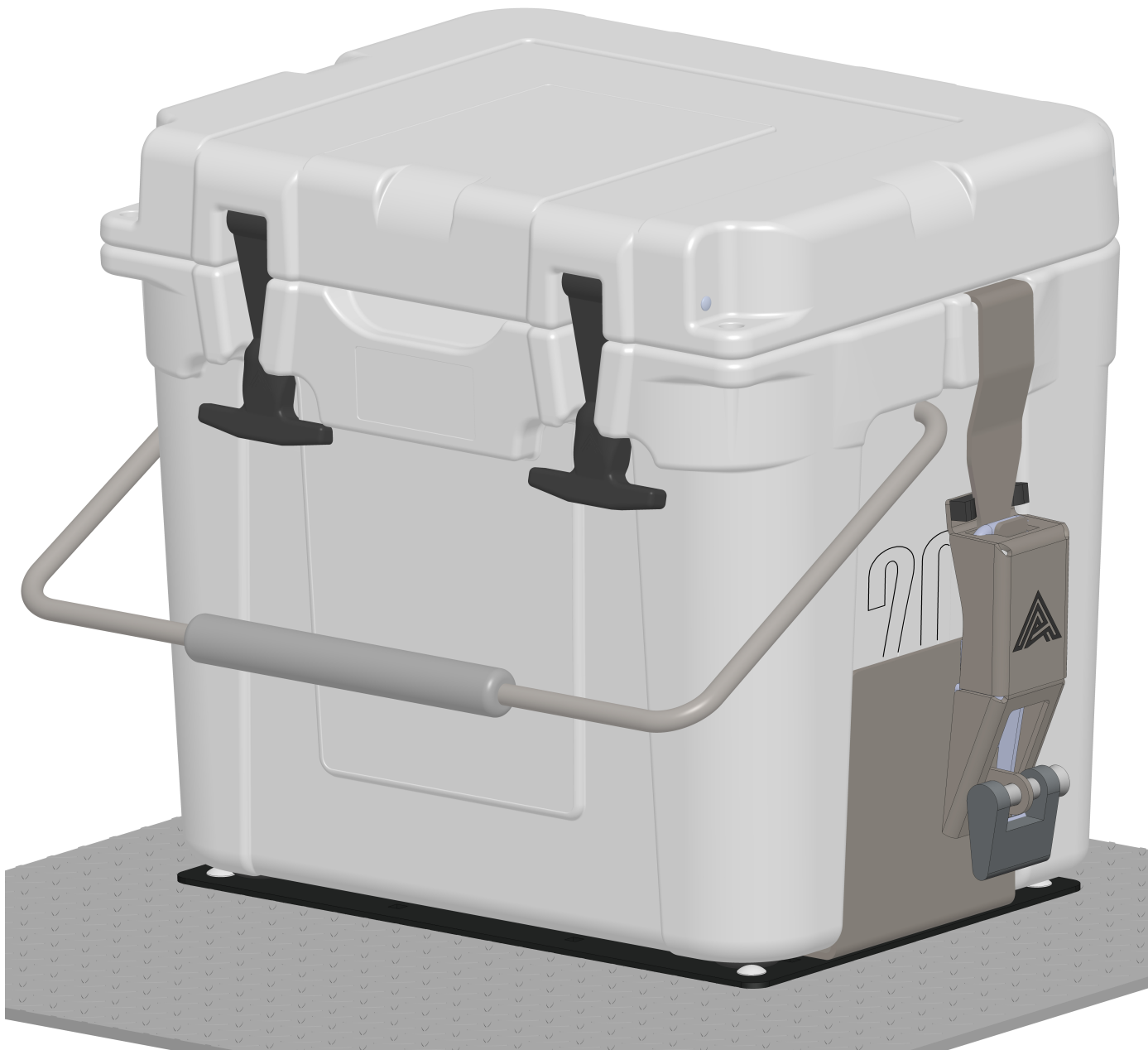
### STEP 5

Because the A20 is made of rotationally molded plastic, you may need to adjust the length of the I-Bolt Latch to ensure that your A20 is secured to the Base Plate. However, you do not want to adjust the I-Bolt such that it is difficult to close once the formed steel bottom of the Cooler Strap is connected to the opening of the I-Bolt as this can cause damaging stress to the rivets that are used to mount the I-Bolt Latch to the Wing. You simply want to adjust the length of the I-Bolt so that the Latch closes securely but is not difficult to close.



## INSTALLATION OF 20 RACK PRO

---



### STEP 6

Each Wing on the 20 Rack Pro has a Padlock Tab so that a padlock can be placed on both sides of the 20 Rack Pro such that the latch can not be opened without removing the lock(s). However, to add an extra layer of protection, we have included the Latch Cover. The Latch Cover is installed by running the top opening of the Latch Cover up the base of the Cooler Strap. The loop the triangle of the I-Bolt latch onto the base formed piece of the Cooler Strap and run the handle of the I-Bolt latch through the rectangular opening in the Latch Cover. Then, close the handle of the I-Bolt Latch. When done, the Latch Cover will completely cover the I-Bolt and the Padlock Tab will be exposed for placement of the Apex Padlock or other padlock.

**NOTE:** The latches are adjustable and can be tightened or loosened as needed by twisting the threaded lever. You may also padlock both sides of your cooler with or without a Latch Cover. If an additional security step is necessary, you may purchase a second Latch Cover. See [www.apexcoolers.com](http://www.apexcoolers.com)



**APEX**

**COOLER SYSTEM**

**[APEXCOOLERS.COM](http://APEXCOOLERS.COM)**