

# NV2021 Breathing Air Tube

INSTRUCTION  
MANUAL

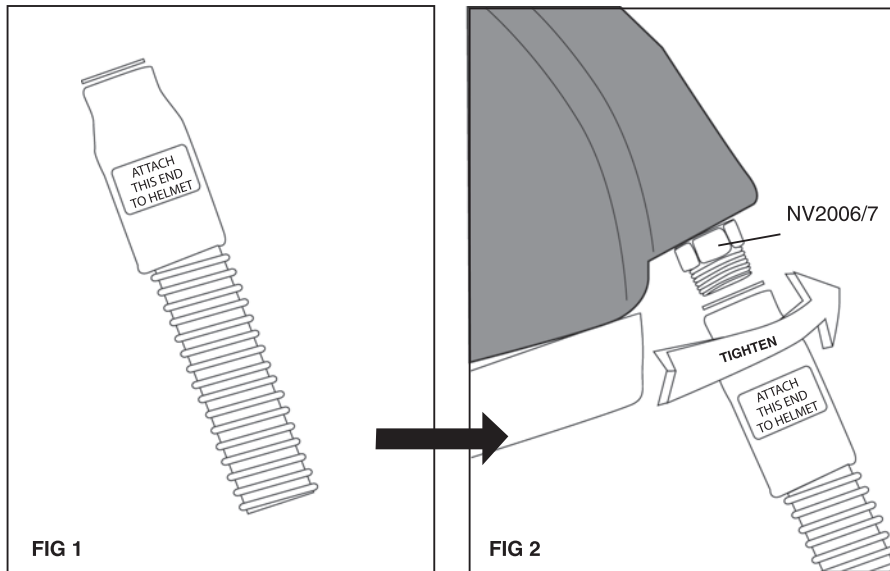
## INSTRUCTIONS

When connecting the NV2021 breathing air tube to the respirator it is important to read these instructions to ensure the NV2021 is correctly attached between the respirator and the NV2016 Flow Control Valve or CCT 4000 Climate Control Tube.

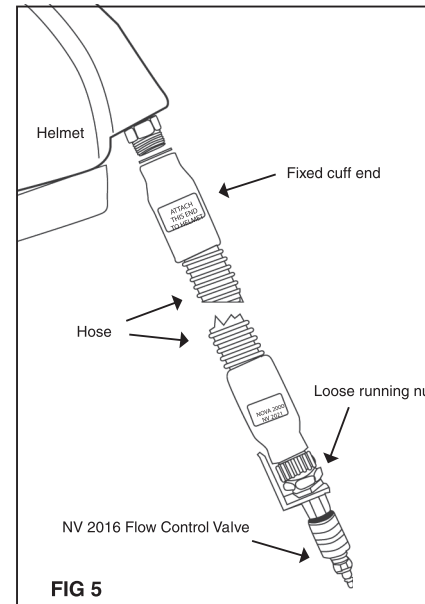
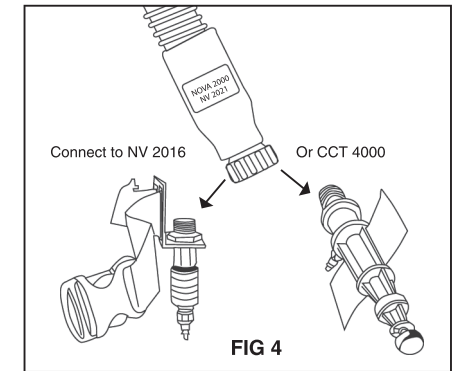
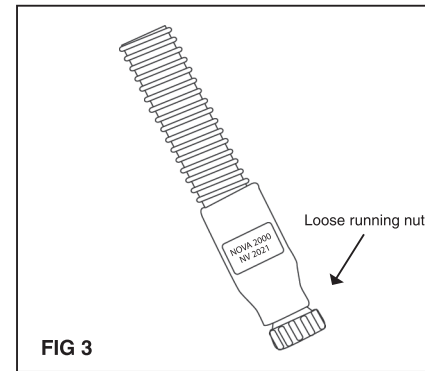
**INCORRECT** attachment can result in the airflow pressurizing against the foam silencer inside the NV2021 breathing air tube, creating back pressure on the NV2021 breathing tube.

## ATTACHING TO THE HELMET

1. When attaching the NV2021 breathing air tube to the respirator, connect the fixed cuff end (Fig 1) of the NV2021 breathing tube, (this end has "ATTACH THIS END TO HELMET") moulded on the cuff to the back fitting NV200617 on the helmet. Ref Fig 2.



2. When attaching the NV2021 breathing air tube to the NV2016 flow control valve or CCT 4000 Climate Control Tube, connect the loose running nut end of the NV2021 breathing air tube (Fig 3) to the thread on the NV2016 or CCT 4000 (Fig 4).



3. When your respirator is assembled correctly it should look like Fig 5
4. If you are unsure about connecting the NV2021 breathing air tube consult your employer and/or sales representative to ensure your helmet is assembled correctly.

**!WARNING!** Read all instructions and warnings before using the respirator. You must be trained in the use, maintenance and limitations by a qualified individual who has extensive knowledge of the respirator.

**RPB® Safety Global Headquarters** 2807 Samoset Rd, Royal Oak, MI 48073, USA.

T: 1-866-494-4599 F: 1-866-494-4509 E: sales.us@rpbsafety.com [www.rpbsafety.com](http://www.rpbsafety.com)

**RPB® Safety Asia Pacific Headquarters** 10 Holt Place, Harewood, Christchurch, New Zealand.

T: +64-3-357-1761 F: +64-3-357-1763 E: sales.nz@rpbsafety.com [www.rpbsafety.com](http://www.rpbsafety.com)

RPB®, advancing your safety and NOVA 3 are registered trademarks of RPB® Safety

For technical assistance contact our Customer Service Department  
on 1-866-494-4599 or email: [customerservice@rpbsafety.com](mailto:customerservice@rpbsafety.com)

Form #: 7.20.504  
Rev: 2