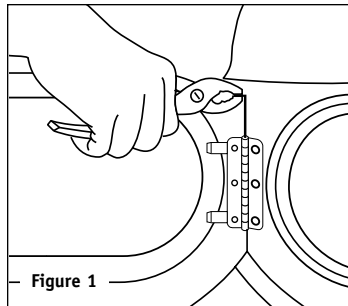


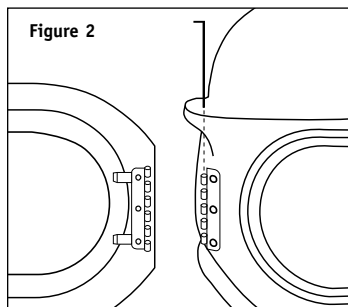
Kit Includes:

- Inner Lens
- Window Frame
- Hinge Pin
- Gasket



Replacing window frame and latch bail:

1. Remove the old window frame by using pliers to pull out the hinge pin (figure 1).
2. Secure the new door frame with a new hinge pin (bent end of pin on top) (figure 2).
3. Check the installation for tightness and proper sealing by visually inspecting the seal around the window frame and gasket.



Replacing window frame gasket:

1. Remove the inner lens by pushing it outward from the inside while at the same time peeling the edge of the gasket away from the helmet shell. Then remove the old gasket from the window frame, and insert the new green gasket by carefully feeding its groove onto the lip of the window. Be sure that the flat side of the gasket is facing the exterior of the helmet and the rounded surface is facing the interior. Keep the gasket centered in the window frame to prevent distortion.
2. Check that the gasket is completely inserted around the window frame.

Replacing inner lens:

1. After replacing the window frame gasket, insert a new inner lens by lifting up on the outside edge of the gasket and feeding the edge of the lens into the inside groove in the gasket. Keep working the lens all the way around the gasket until it is entirely inserted. Be sure to keep the inner lens centered in the gasket to prevent distortion.
2. Check that the inner lens is completely inserted all the way around the gasket.

WARNING

Be sure the plastic 0.040" inner lens fits securely in the window frame gasket. Use only Bullard replacement lenses. Substituting other lenses voids NIOSH approval. Use of non-Bullard lenses may allow contaminants to enter the respirator and expose you to life-threatening conditions. Failure to follow these instructions could result in death or serious injury.