

Iron Bear Multistorage Unit

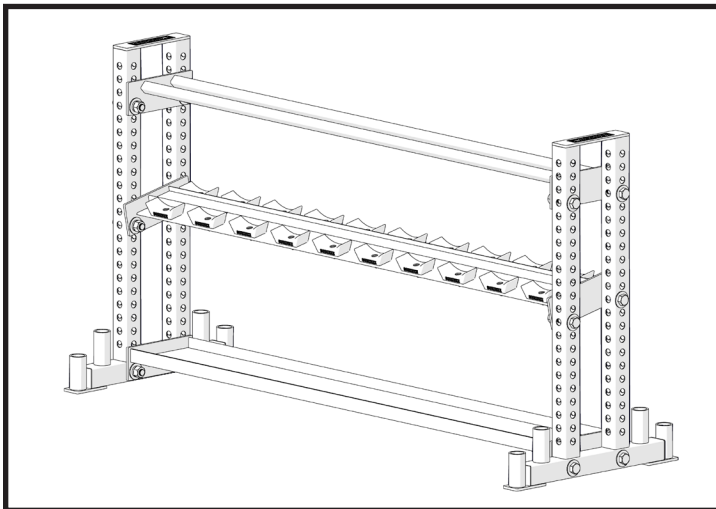
ASSEMBLY INSTRUCTIONS

Tools need:

1 1/2" wrench

DISCLAIMER:

RESISTANCE TRAINING, GYMNASTICS TRAINING, AND ACTIVITIES AT HEIGHT ARE POTENTIALLY DANGEROUS AND MAY LEAD TO SEVERE INJURY OR EVEN DEATH. THIS EQUIPMENT MUST BE USED BY COMPETENT AND RESPONSIBLE PERSONS OR UNDER THE GUIDANCE AND SUPERVISION OF COMPETENT PERSONS. BE SURE YOU ARE VERSED IN PROPER TECHNIQUE AND METHODS BEFORE USING ANY EQUIPMENT. THE USER ASSUMES ALL RISKS AND RESPONSIBILITIES FOR ALL DAMAGE, INJURY OR DEATH WHICH MAY OCCUR DURING INCORRECT USE OF THIS EQUIPMENT. SORINEX BEARS NO LIABILITY ABOVE REPLACEMENT VALUE OF THE EQUIPMENT IN QUESTION.



ITEM NO.	PartNo	Part Name	QTY.
1	000497	Iron Bear - Kettlebell Tray	1
2	000498	Iron Bear - Medicine Ball Tray	1
3	000500	Iron Bear - 3-Tier Side	2
4	000496	Iron Bear - Standard Dumbbell Tray	1

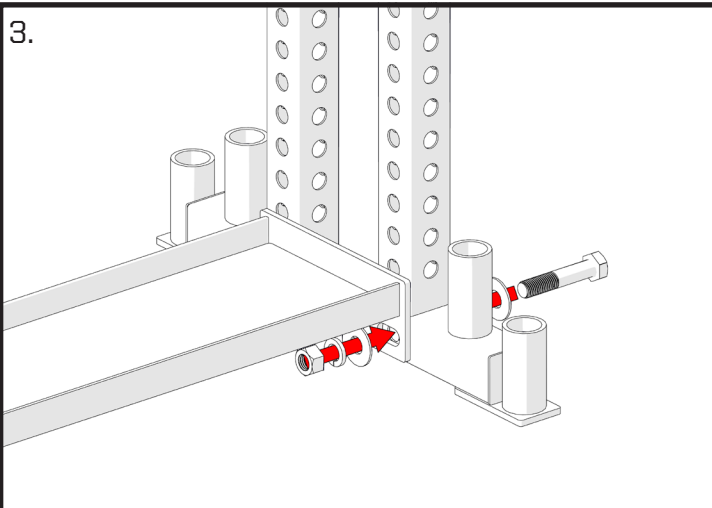
1.

Start by setting Iron Bear Sides in a standing position.
(As shown)

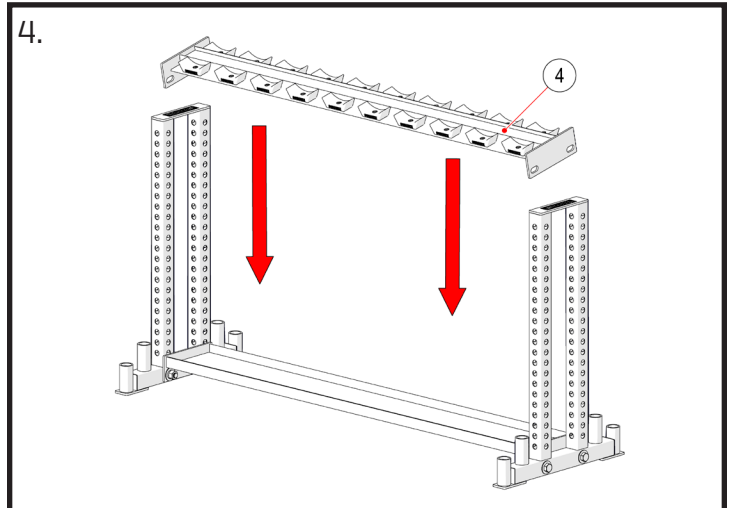
2.

Align one side of Kettlebell Tray to bottom holes of side.
(TWO PEOPLE ARE REQUIRED)

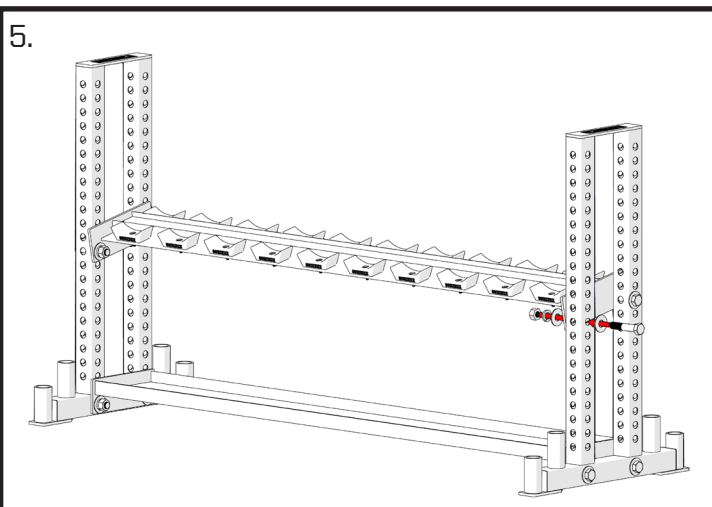
Sorinex Exercise Equipment | 193 Litton Drive | Lexington, SC 29073 | 1-877-SORINEX | info@sorinex.com
 THE INFORMATION CONTAINED IN THIS DRAWING IS THE SOLE PROPERTY OF SORINEX INC.
 ANY REPRODUCTION IN PART OR AS A WHOLE WITHOUT THE WRITTEN PERMISSION OF SORINEX INC. IS PROHIBITED.



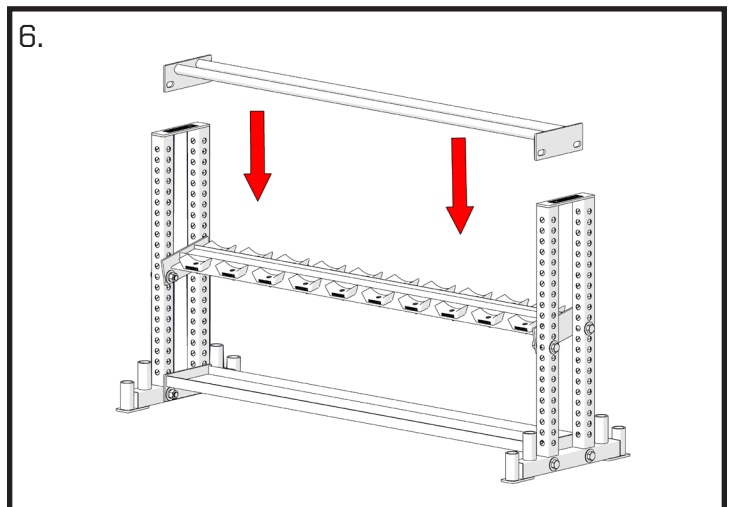
3. Hand tighten 1" hardware. Bolt head should face outward. Repeat steps for other side.



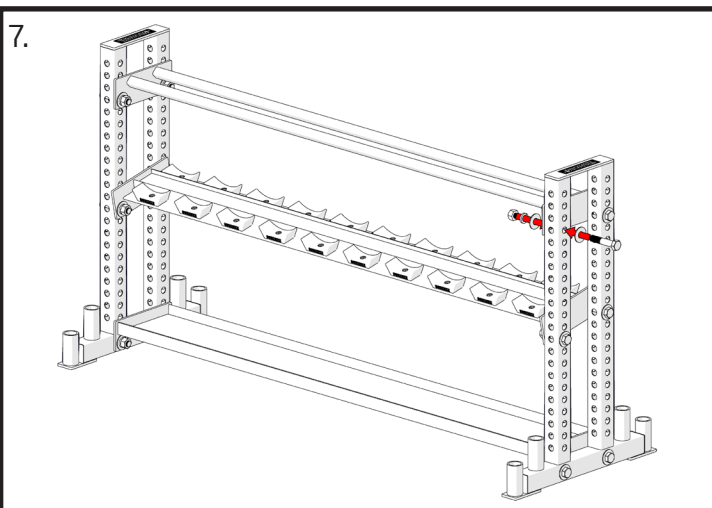
4. Align Dumbbell Tray to desired height. Sorinex recommends aligning at an angle. (TWO PEOPLE ARE REQUIRED)



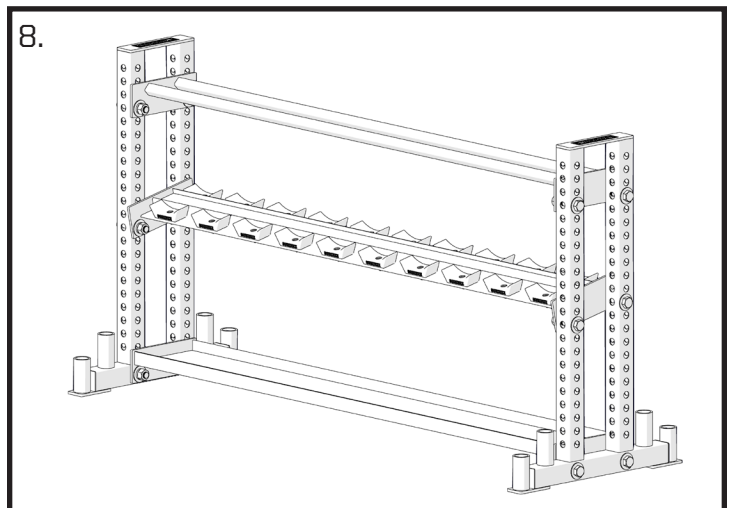
5. Hand tighten 1" hardware. Bolt head should face outward. Repeat steps for other side.



6. Align Medicine Ball Tray to desired height. (TWO PEOPLE ARE REQUIRED)



7. Hand tighten 1" hardware. Bolt head should face outward. Repeat steps for other side.



8. Use 1 1/2" wrench to secure 1" hardware. Iron Bear Multistorage Unit is ready to use.

Sorinex Exercise Equipment | 193 Litton Drive | Lexington, SC 29073 | 1-877-SORINEX | info@sorinex.com
 THE INFORMATION CONTAINED IN THIS DRAWING IS THE SOLE PROPERTY OF SORINEX INC.
 ANY REPRODUCTION IN PART OR AS A WHOLE WITHOUT THE WRITTEN PERMISSION OF SORINEX INC. IS PROHIBITED.