



**FINISH**

Brushed Stainless

**MATERIAL**

316L Stainless Steel

**BOWL SIZE**

18 1/8 in x 22 3/4 in (bowl 1); 18 1/8 in x 9 in (bowl 2)

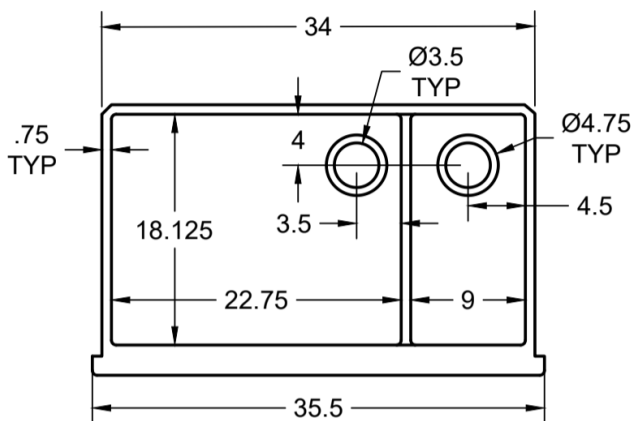
**DRAIN SIZE**

3 1/2 in

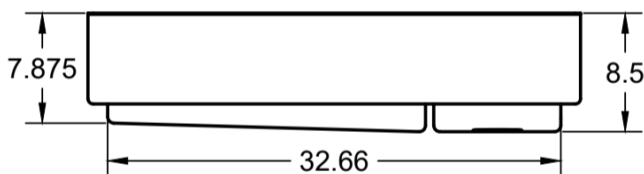
**MINIMUM CABINET SIZE REQUIRED**

36 in

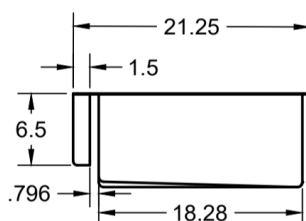
**TOP VIEW\***



**FRONT VIEW\***



**SIDE VIEW\***



**FEATURES**

- Consistent 14-Gauge Thickness
- Offset Corner Drain (large bowl)
- Sloped Basin Floor
- R10 Radius Corners
- 3-millimeter thick foam insulation
- Low divide

**INSTALLATION METHOD**

Undermount installation. Please use installation guide included with product.

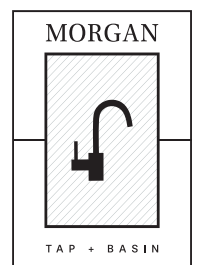
**WARRANTY**

Morgan Tap and Basin Stainless Steel Basin Limited Lifetime Warranty

**CODES AND STANDARDS**

ASME A112.19.3

Please visit [www.morgantapandbasin.com](http://www.morgantapandbasin.com) for product and warranty details. Morgan Tap and Basin reserves the right to make revisions to product specifications without notice.



\*All dimensions are measured in inches.