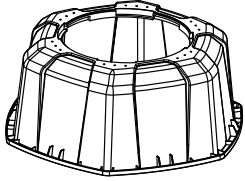
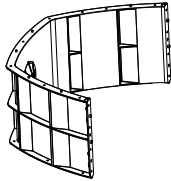
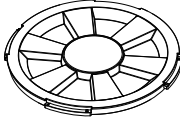




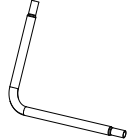

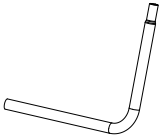


# 170L / 45gal Compost Tumbler

## INSTRUCTION MANUAL

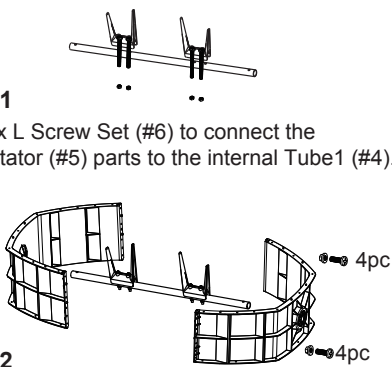
### Parts List

The tools required to assemble: PH2, PH3 Screwdriver

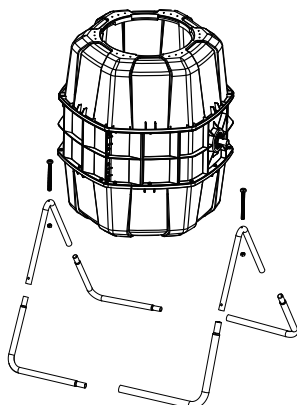
<p><b>#1</b></p>  <p>End cap x 2</p>	<p><b>#2</b></p>  <p>Middle body x 2</p>	<p><b>#3</b></p>  <p>Lid x 2</p>
<p><b>#4</b></p>  <p>Tube1 x 1</p>	<p><b>#5</b></p>  <p>Agitator x 2</p>	<p><b>#6</b></p>  <p>L screw set x 6</p>
<p><b>#8</b></p>  <p>Tube2 x 2</p>	<p><b>#9</b></p>  <p>Tube3 x 2</p>	<p><b>#7</b></p>  <p>S screw set x 36</p>
<p><b>#10</b></p>  <p>Tube4 x 2</p>		

### Assembly

**Step-1**  
Use 4x L Screw Set (#6) to connect the 2x Agitator (#5) parts to the internal Tube1 (#4).

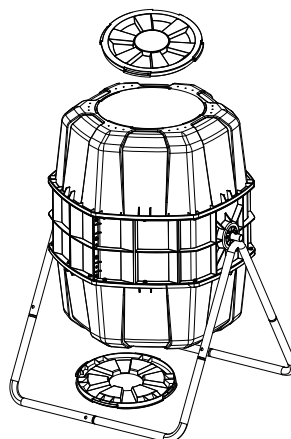
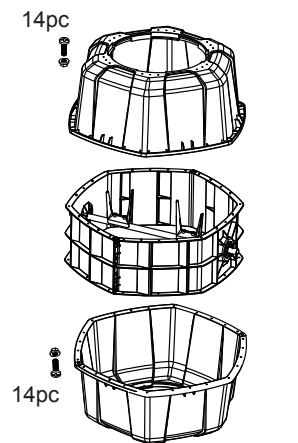


**Step-2**  
Assemble the 2x Middle Body (#2) parts to each other using 8x S Screw Set (#7).

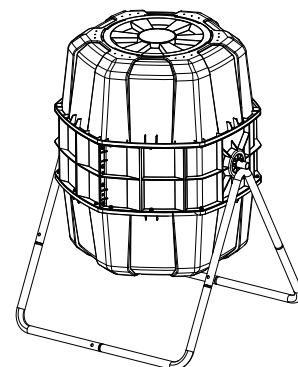


**Step-4**  
Connect Tube2 (#8) to the assembled Compost Tumbler Body with L Screw Set (#6), connect Tube3 (#9) and Tube4 (#10) legs as shown.

**Step-3**  
Placing 1x End Cap (#1) on the ground as shown, place the assembled Middle Body from Step 2 and connect with 14x S Screw Set (#7). Then take the remaining End Cap (#1) and attach to the other side of the Middle Body with 14x S Screw Set (#7).



**Step-5**  
Twist into each end the Lid (#3).



**Final Assembled Product**