



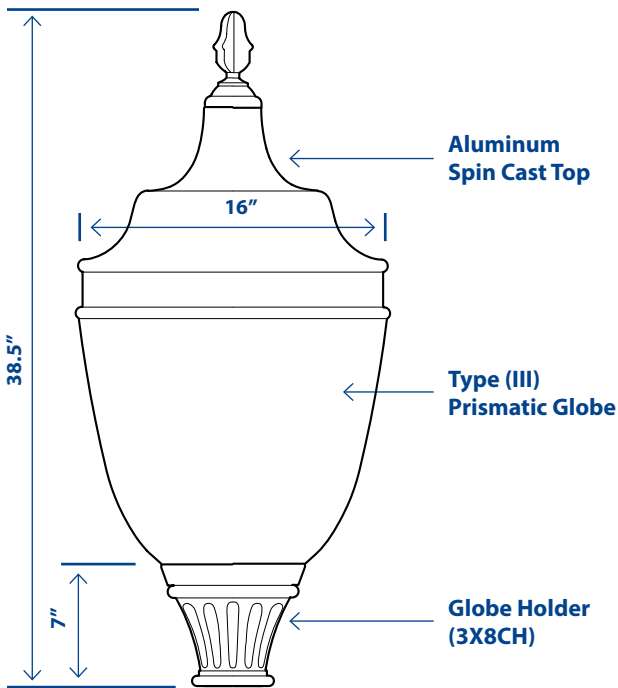
BRANDON INDUSTRIES

Quality Streetscape Solutions

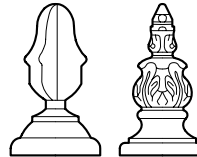
AMD1

LUMINAIRE

TRADITIONAL STYLE



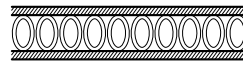
Optional Finials:



*GF-1
(Shown)

GF-2

Optional Oval Band:



Specifications

Holder

Cast Aluminum

Globe

Prismatic

Distribution

Type (III)

*Type (V) available as ANC1

Fasteners

Stainless Steel

Finish

Polyester Powder-Coat
Electrostatically Applied &
Thermocured

Lamp Selector

LED

LED

Incandescent

Incandescent

High Pressure Sodium

35 Watt HPS

50 Watt HPS

70 Watt HPS

100 Watt HPS

150 Watt HPS

250 Watt HPS

Metal Halide

70 Watt MH

100 Watt MH

150 Watt MH

175 Watt MH

250 Watt MH

Additional Options

Finial

None

GF-1

GF-2

Decorative Band

None

Oval Band

