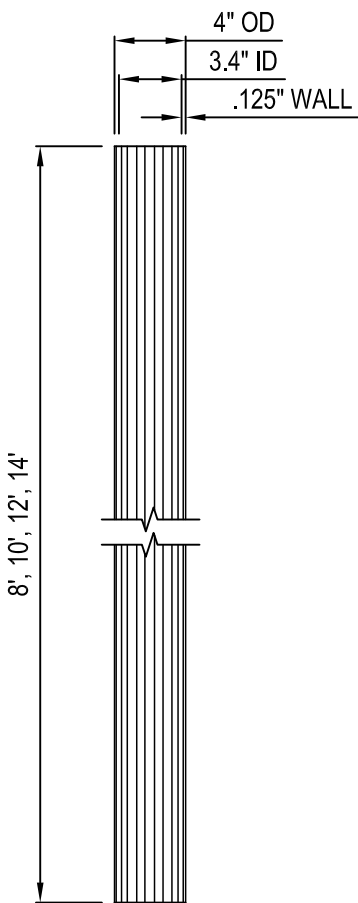
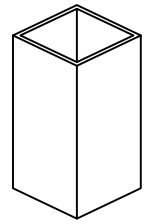
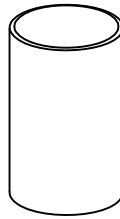
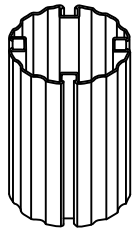
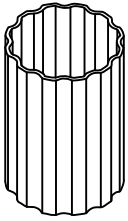




BRANDON®

INDUSTRIES

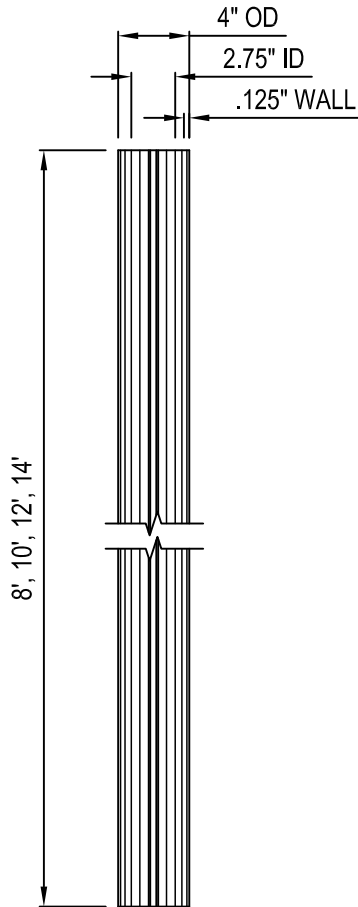
1601 Wilmeth Road
McKinney, Texas 75069
Phone: 972.542.3000
Toll Free: 800.247.1274
brandonindustries.com



4" OD FLUTED POLE
EXTRUDED ALUMINUM ALLOY 6005-T5

SELECT POLE SIZE

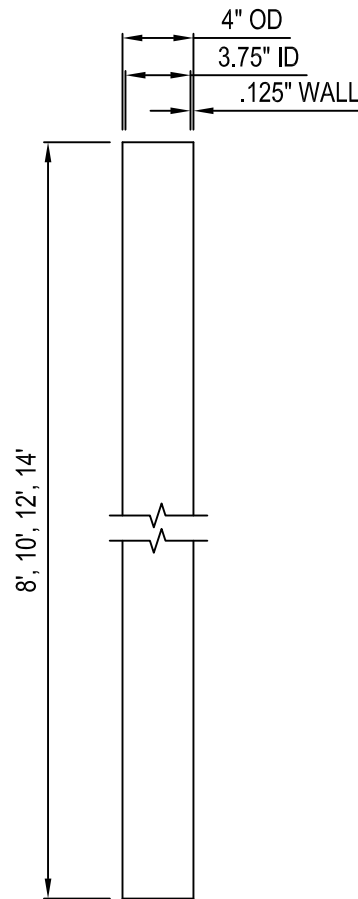
- SP4X8 4" x 8'
- SP4X10 4" x 10'
- SP4X12 4" x 12'
- SP4X14 4" x 14'



4" OD CHANNEL POLE
EXTRUDED ALUMINUM ALLOY 6005-T5

SELECT POLE SIZE

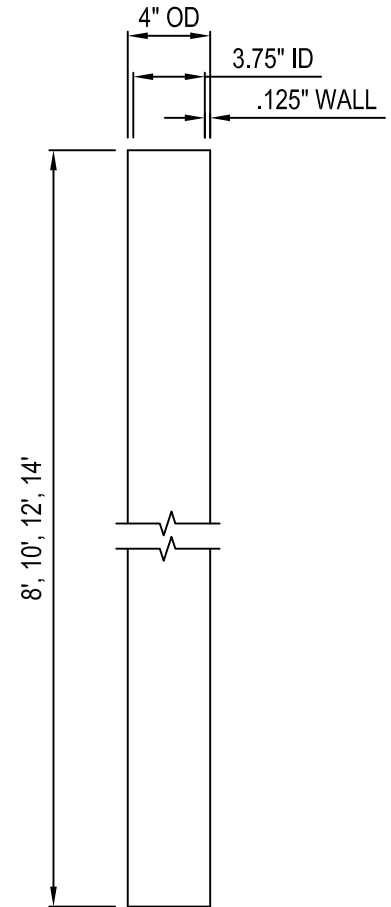
- CP4X8 4" x 8'
- CP4X10 4" x 10'
- CP4X12 4" x 12'
- CP4X14 4" x 14'



4" OD SMOOTH POLE
EXTRUDED ALUMINUM ALLOY 6005-T5

SELECT POLE SIZE

- SPS4X8 4" x 8'
- SPS4X10 4" x 10'
- SPS4X12 4" x 12'
- SPS4X14 4" x 14'



4" OD SQUARE POLE
EXTRUDED ALUMINUM ALLOY 6005-T5

SELECT POLE SIZE

- SPQ4X8 4" x 8'
- SPQ4X10 4" x 10'
- SPQ4X12 4" x 12'
- SPQ4X14 4" x 14'

4-INCH OD SIGN POLES

NOTES:
DRAWING FOR INFORMATION ONLY, NOT INTENDED FOR CONSTRUCTION PURPOSES.

File Name: 4 INCH POLES