

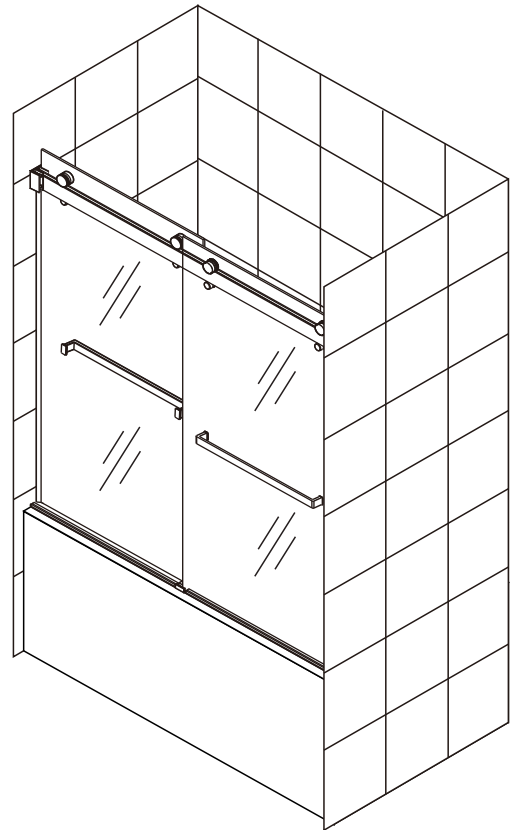
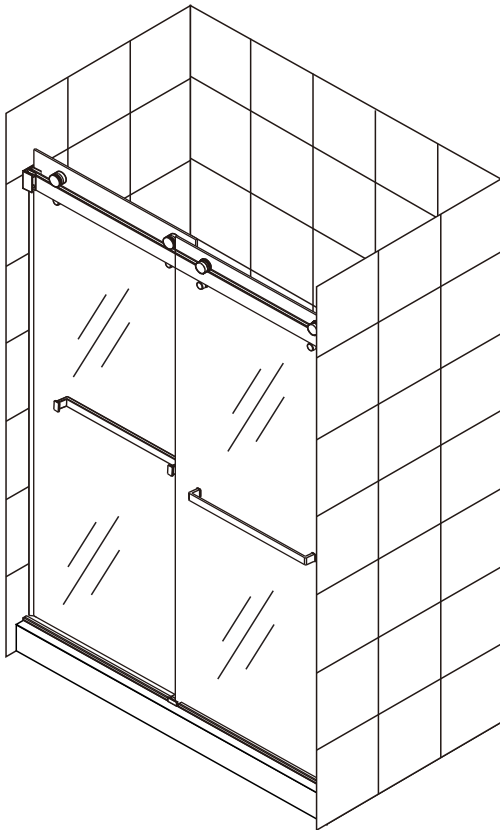


## POMPEI

# INSTALLATION INSTRUCTIONS

---

**SHOWER AND TUB DOOR INSTALLATION INSTRUCTIONS**  
**PLEASE REVIEW THIS ENTIRE MANUAL PRIOR TO INSTALL**



### SHOWER

SDPO-4876CG-CH & SDPO-4876CG-BN  
SDPO-4876CG-MB & SDPO-4876CG-BG  
SDPO-6076CG-CH & SDPO-6076CG-BN  
SDPO-6076CG-MB & SDPO-6076CG-BG

### TUB

TDPO-6066CG-CH & TDPO-6066CG-BN  
TDPO-6066CG-MB & TDPO-6066CG-BG

### FINISH

CH - Chrome    BN - Brushed Nickel    MB - Matte Black    BG - Brushed Nickel

## ◆ General Information

Inspect the product immediately upon receipt for transit damage, missing packs/parts or manufacturing fault. Damage reported later will not be accepted. Handle the product with care avoiding knocks and shock loading to all sides and edges of the glass.

**Notes: Safety glass can not be re-worked.**

Read these instructions carefully before start of installation.

Special care should be taken when drilling walls to avoid hidden pipes or electrical cables.

Note: This product is heavy and may require two people to install.

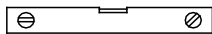
## Aftercare instructions

After use, your shower should be cleaned with soap and water. This is particularly important in hard water districts where insoluble lime salts maybe deposited and allowed to build up. Cleaners of a gritty or abrasive nature should not be used. Care should be taken to avoid contact with strong chemicals, they can be used but with caution, if in doubt contact the manufacturer of the cleaner in question.

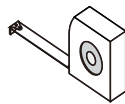
Keep these instructions for aftercare and customer service details.

---

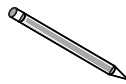
## Tools Required



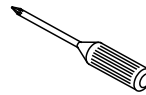
Level



Tape Measure



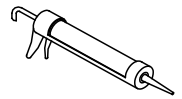
Pencil



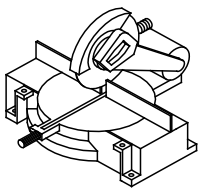
Phillips Screwdriver



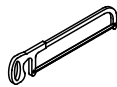
Hammer



Silicone



Miter saw or Hacksaw



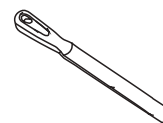
Power Drill



Drill bit  
(Ø=5/16")  
(Ø=8mm)



Drill bit  
(Ø=1/8")  
(Ø=3mm)



Metal File



Painter's Tape



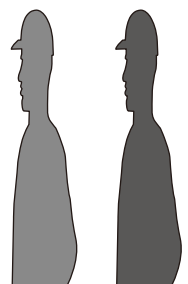
Threshold must be level; Walls must be plumb.



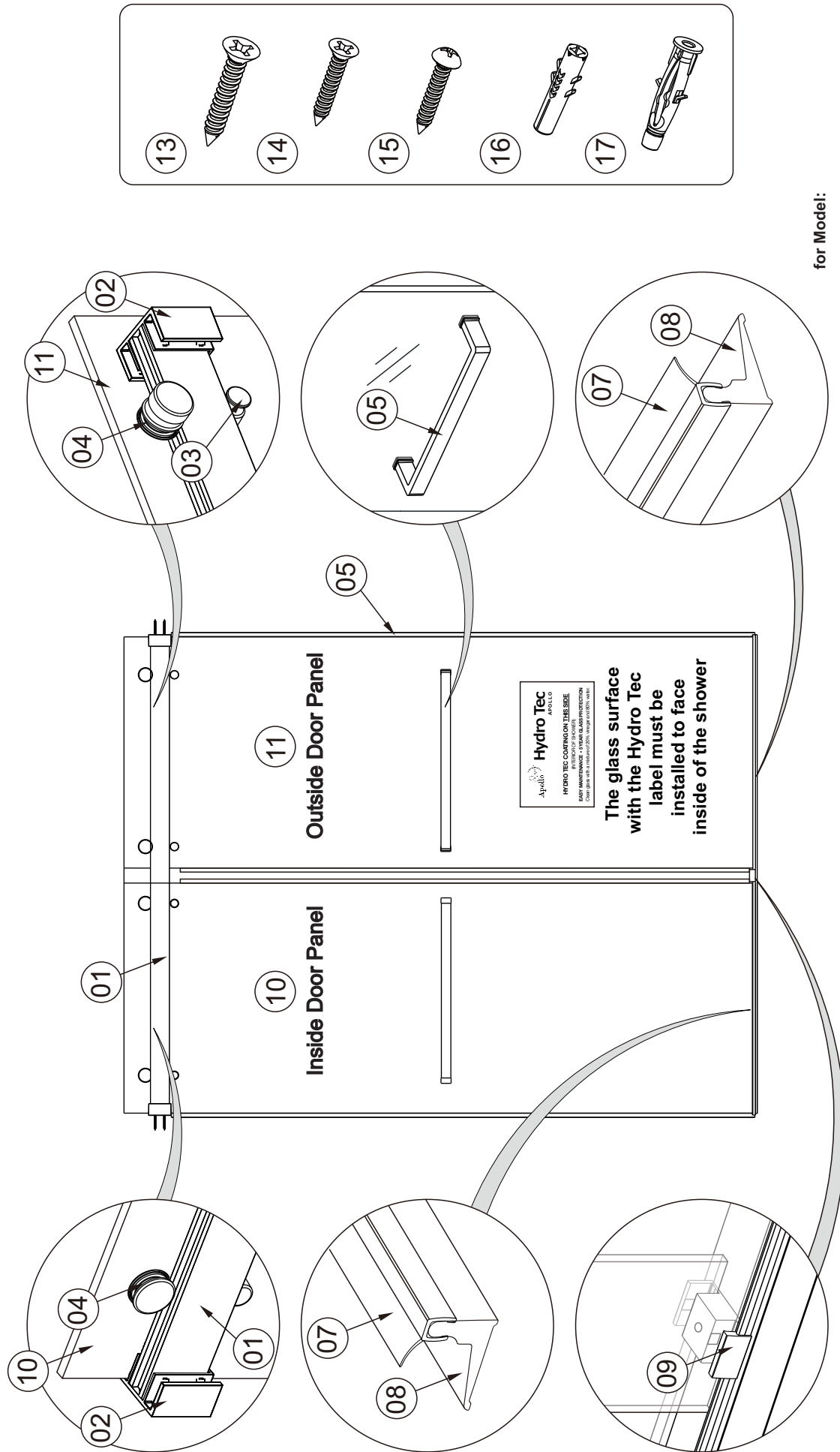
Measure the finished opening before proceeding with the installation to be sure that the correct model size has been ordered.



These instructions will show the installation of the shower door. Please follow the same steps for the installation of the tub door.



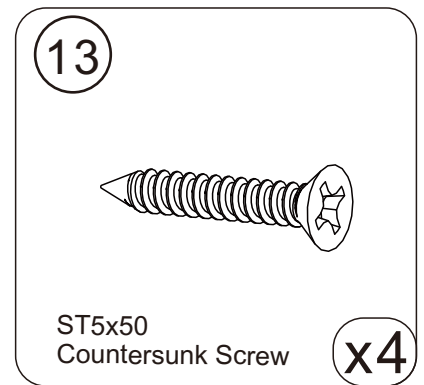
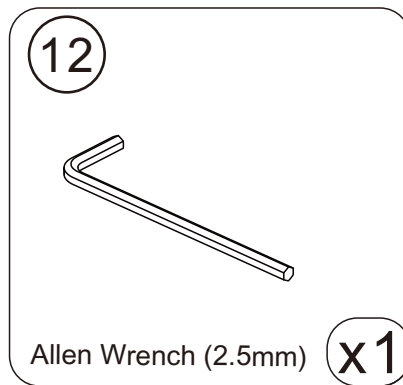
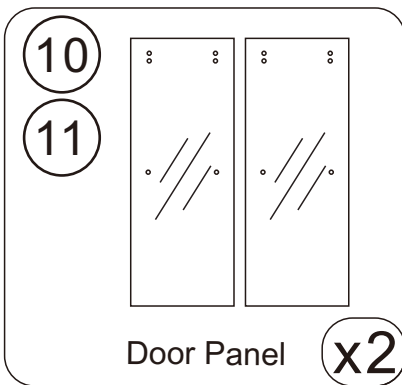
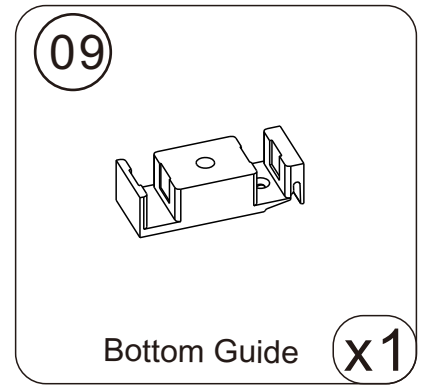
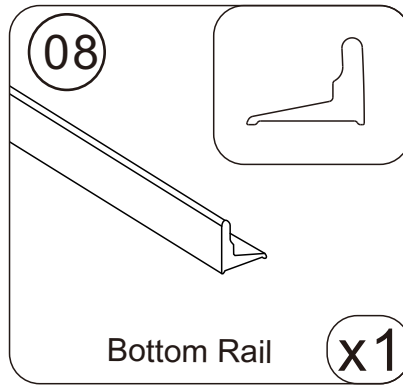
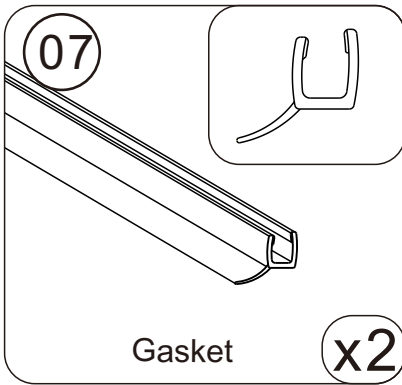
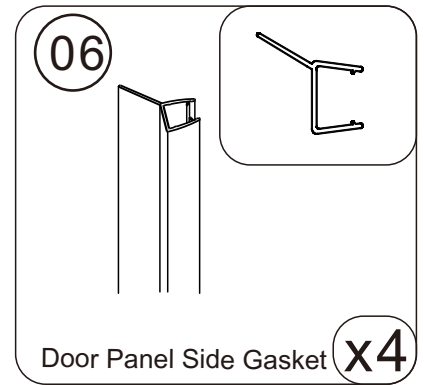
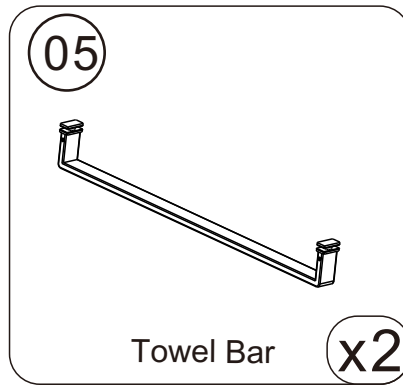
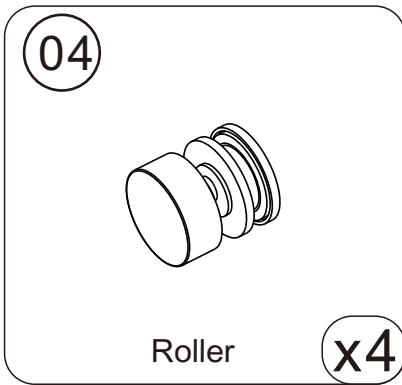
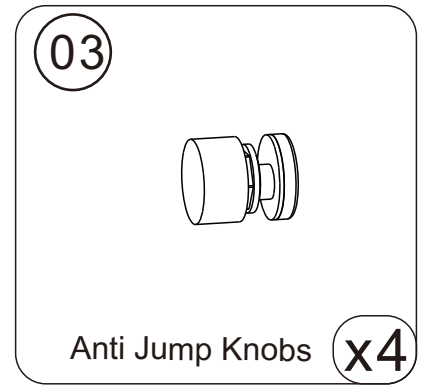
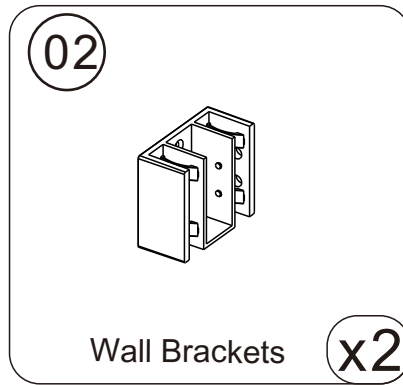
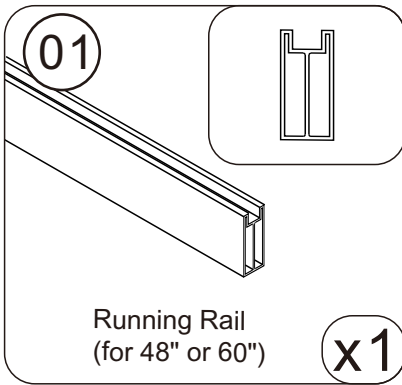
# Detailed Diagram of Shower Door Components



for Model:

TDPO-6066CG-CH & BN & MB & BG  
SDPO-4876CG-CH & BN & MB & BG

# Parts List



## Parts List - Continue

14



ST4x25  
Countersunk Screw

x1

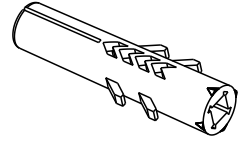
15



ST4x25  
Round Screw

x1

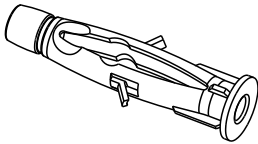
16



Wall Anchor Ø1/4"(6mm)

x2

17



Wall Anchor Ø5/16"(8mm)

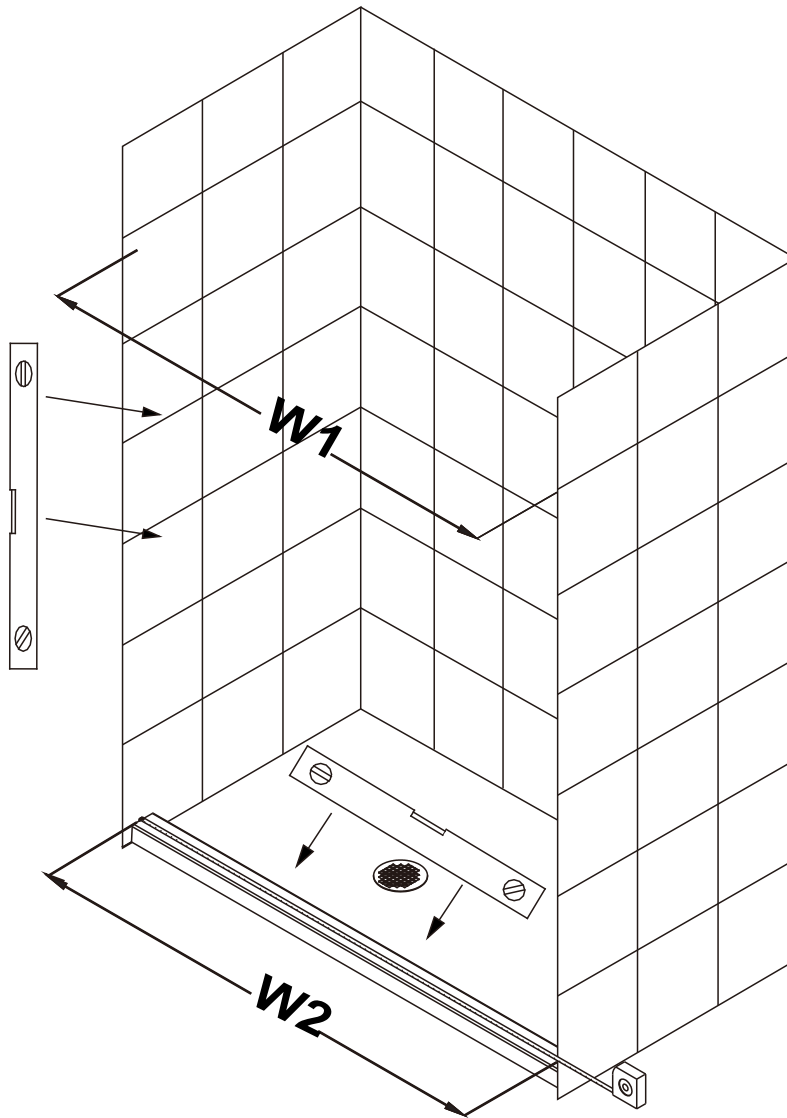
x4

# Installation steps

**1.** Measure the finished opening width at the bottom and at the model height. Use these dimensions as "**W1**" (top) and "**W2**"(bottom) in step #2. Also check the threshold for level and the walls for plumb.

**Note:** This model does not have adjustment for out-of-plumb conditions.

**See Fig 1 for details**



**Fig 1**

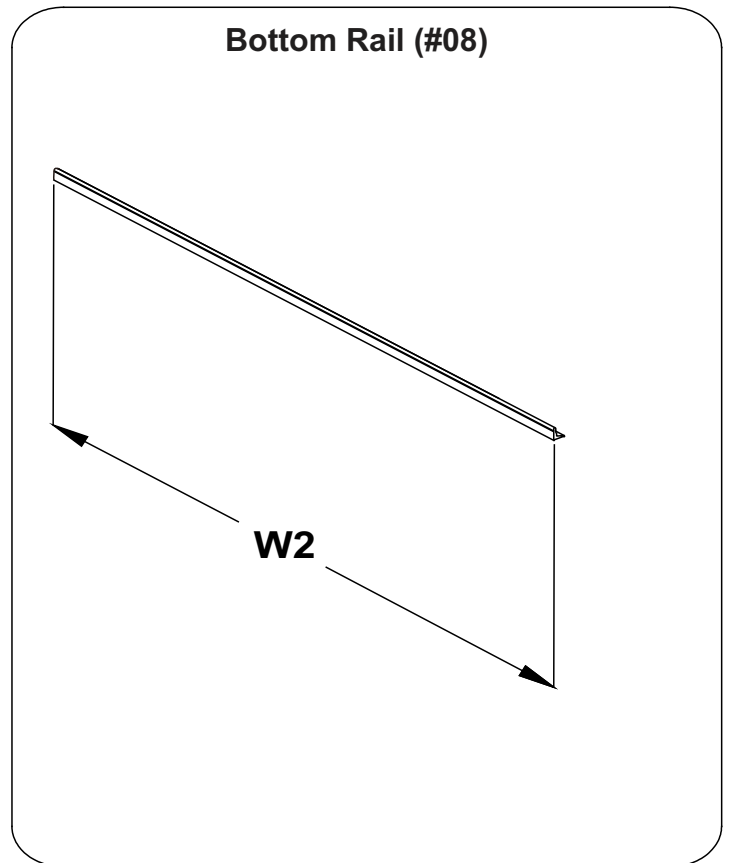
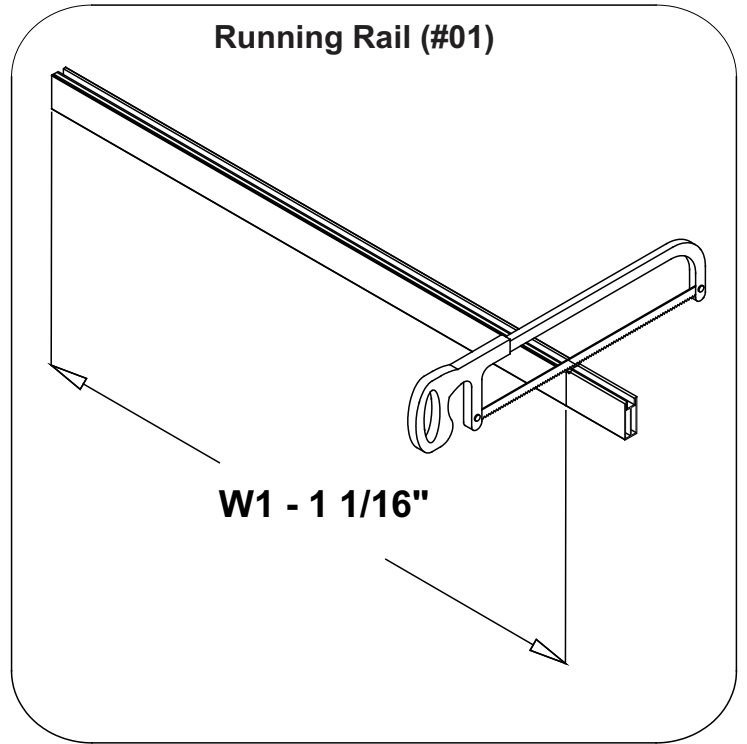
**2. Cut the Running Rail (#01) and the Bottom Rail (#08) to fit your finished opening using either a miter saw or a hacksaw:**

**Cut the Running Rail (#01) to: "W1"(top) dimension - 1 1/16"**

**Bottom Rail (#08) = "W2" (bottom)**

Use a metal file to remove any burrs from the cut ends.

**See Fig 2 for details**



**Fig 2**

**Note:**

The Running Rail and Threshold are pre-cut for the model size:

**Running Rail (#01) = 48" or 60"**

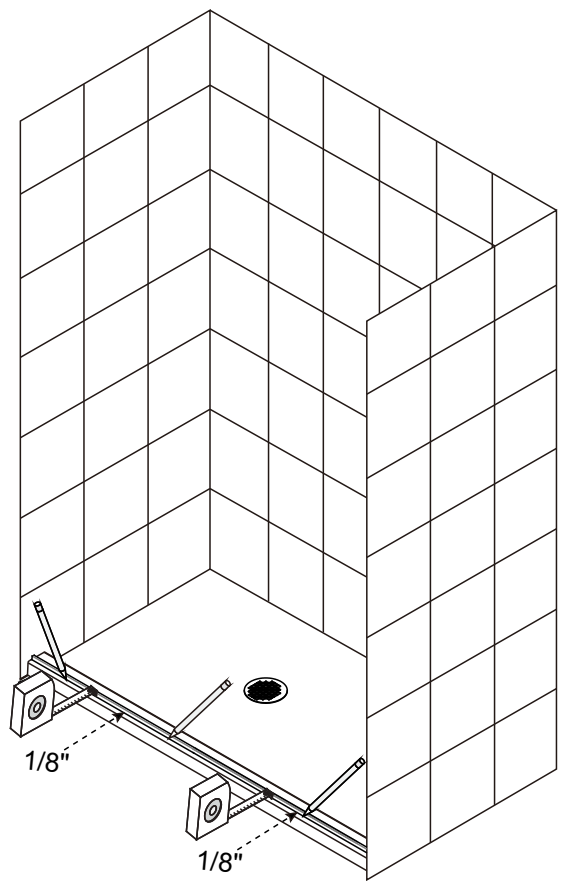
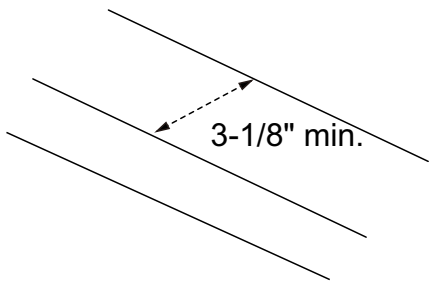
**Bottom Rail (#08) = 48" or 60"**

Only the **Running Rail (#01)** need to be cut to fit the finished opening size.

**3.** Set the **Bottom Rail (#08)** onto the threshold and measure in 1/8" from the outside of the threshold evenly across the width. Mark the position of the **Bottom Rail (#08)** on the threshold.

**See Fig 3 for details**

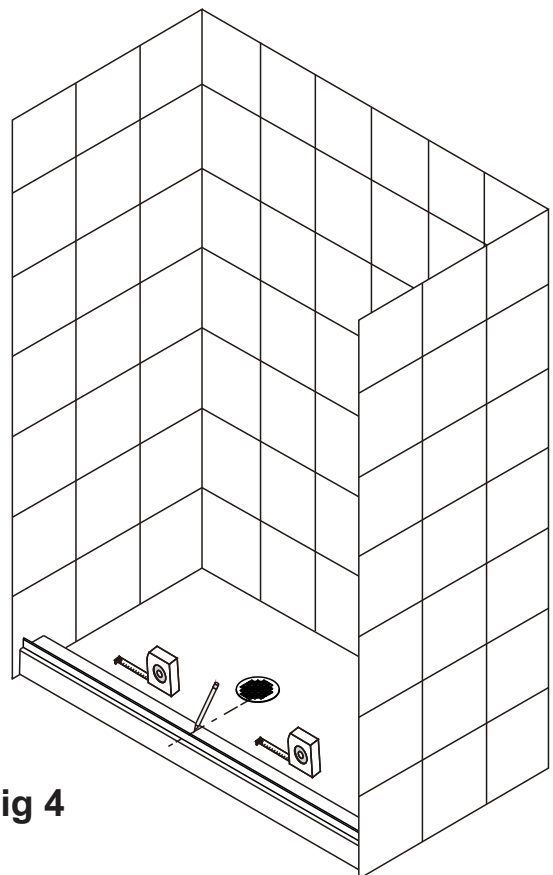
**Note:** This model requires a minimum 3-1/8" of flat threshold space for installation.



**Fig 3**

**4.** Measure across the width of the threshold to locate and mark the center.

**See Fig 4 for details**

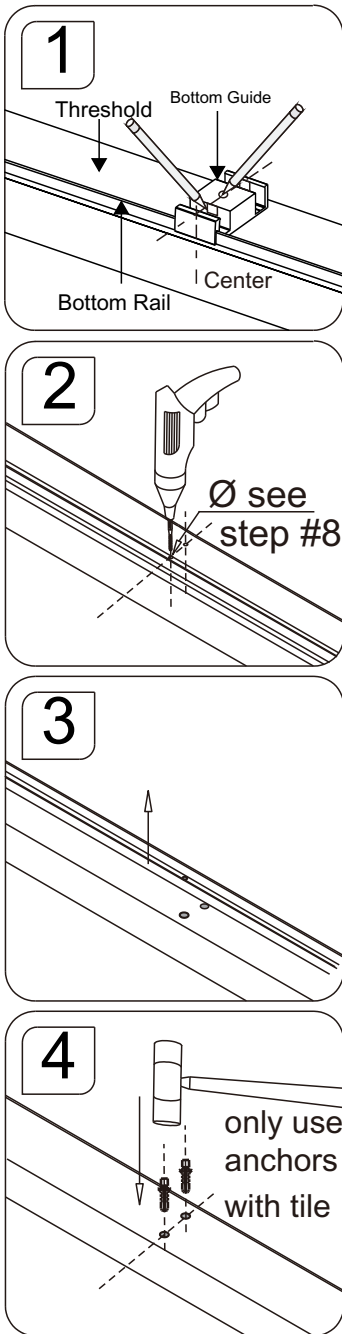


**Fig 4**

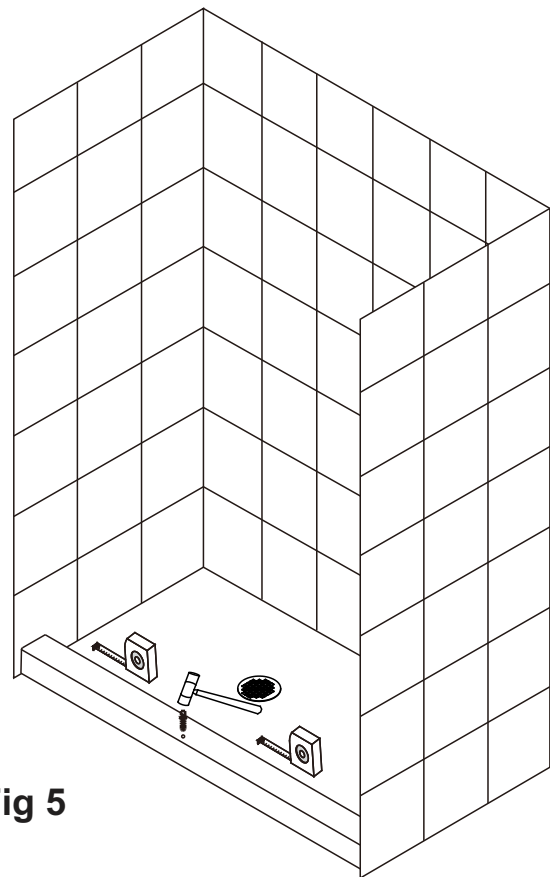


5. Place the **Bottom Guide (#9)** on the threshold and align the slot with the centerline measured in the previous step. Mark the hole for drilling.

- For installation into a tile threshold, drill a  $\text{Ø}1/4"$  (6mm) hole and insert the **Wall Anchor (#16)**
- For installation into an acrylic threshold, drill an  $1/8"$  (3mm) hole and do not use the anchor.



**Fig 5**



**Fig 5**

6. Replace the **Bottom Rail (#08)** onto the **marked position** on the threshold.

See Fig 5 for details

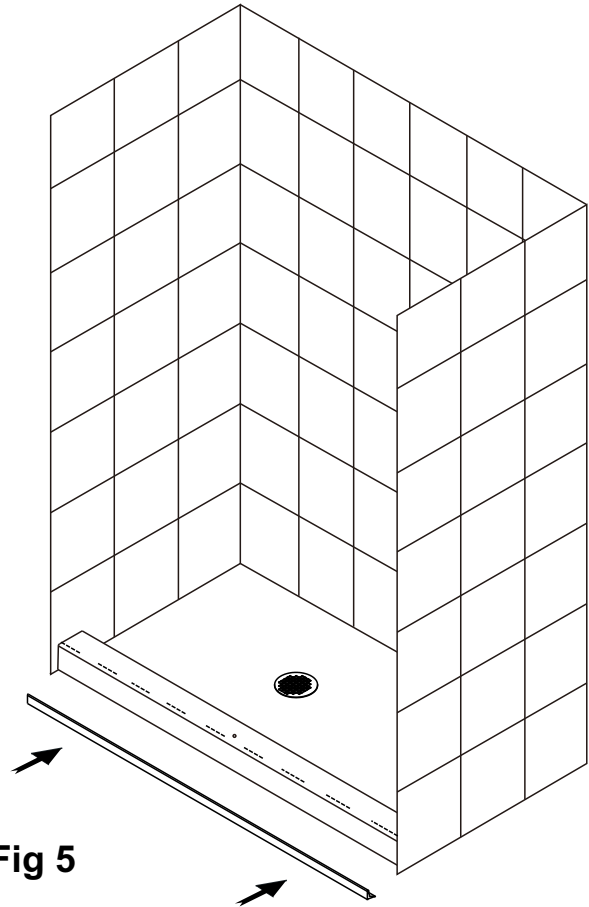


Fig 5

7. Run a bead of Silicone along the inside edge of **Bottom Rail (#08)**.

Fig 6 for details

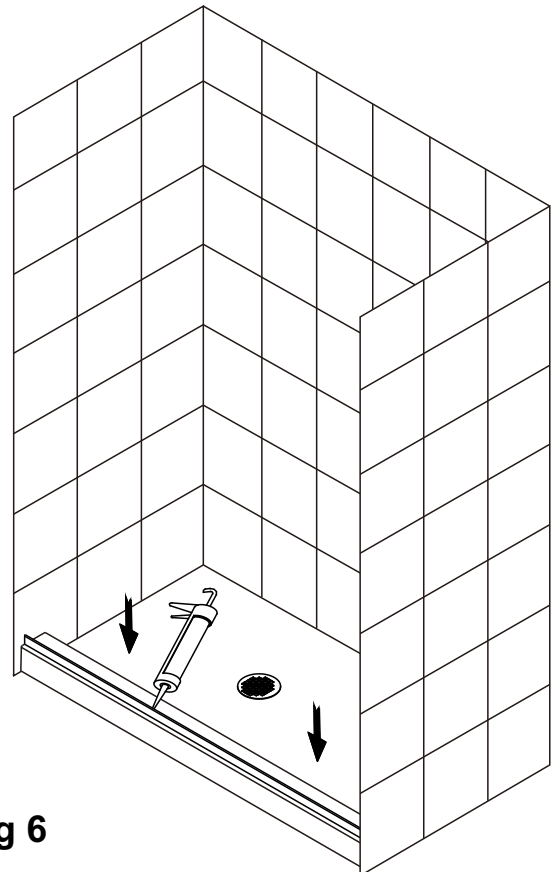


Fig 6



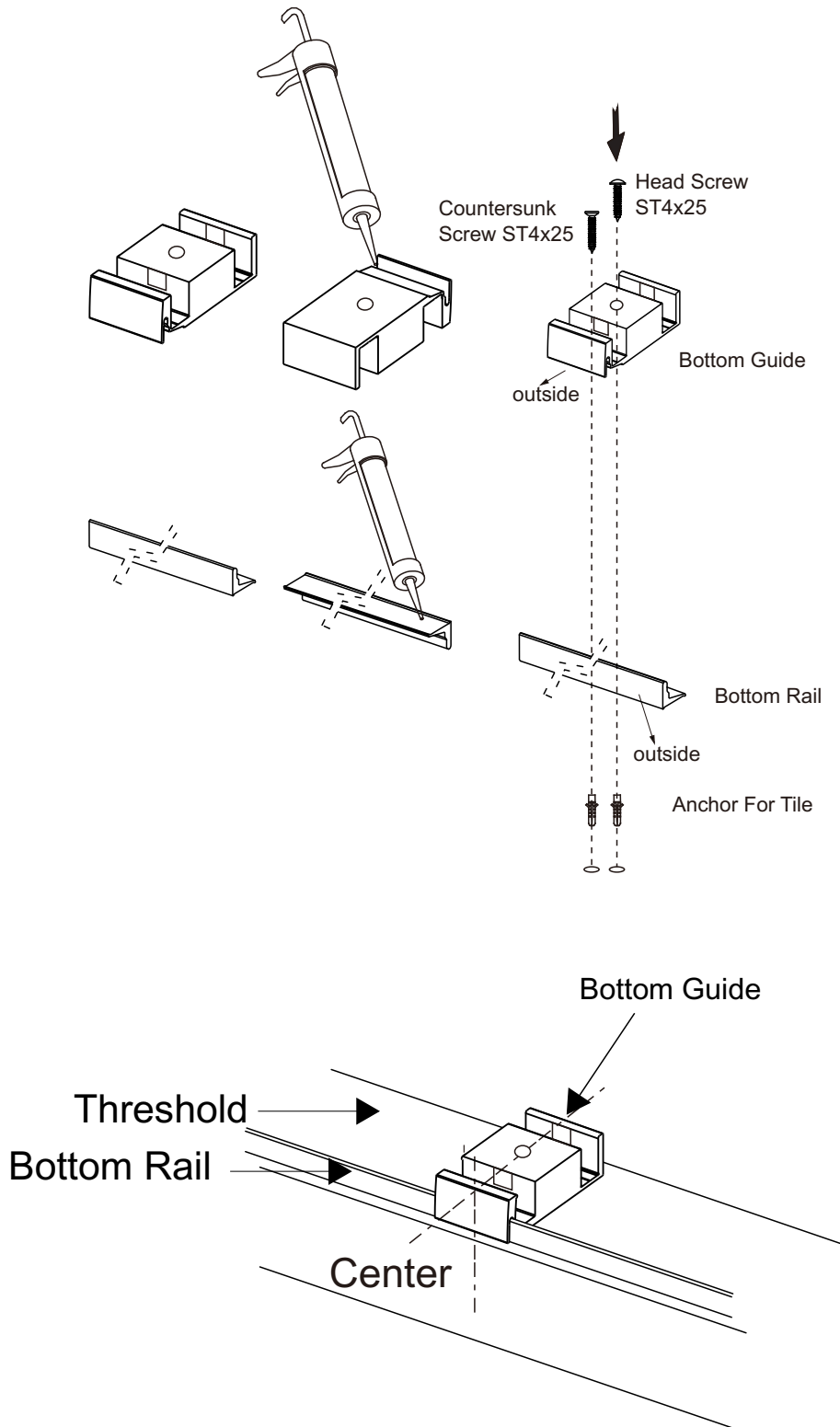
Use several strips of Painter's Tape to hold the bottom rail in position while the silicone cures.

8. Apply silicone into the groove along the bottom of the **Bottom Rail (#08)**.

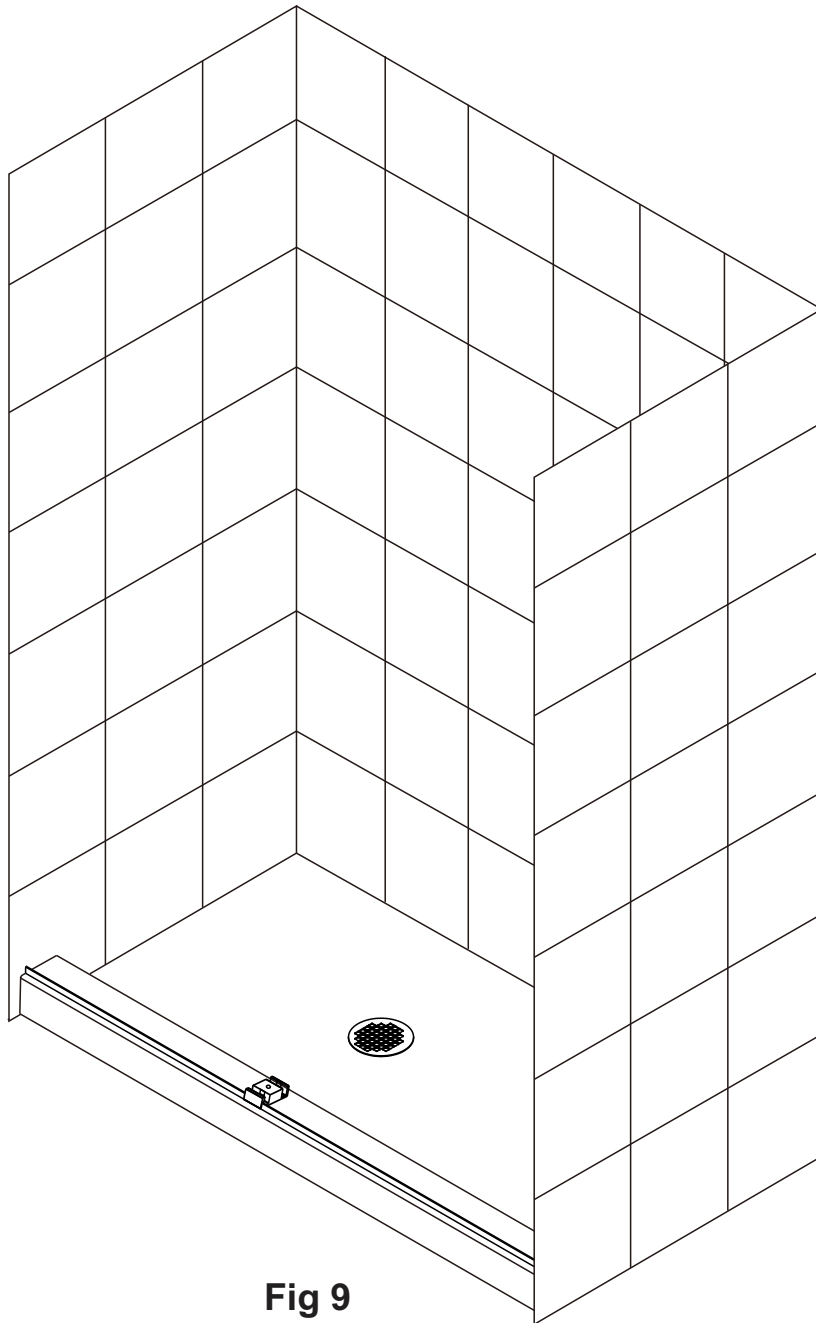
Apply silicone to the bottom of the **Bottom Guide (#09)** and attach to the threshold using the **Screw ST4 x 25**.

Apply silicone to the bottom of the **Bottom Guide (#09)** and the **Bottom Rail (#08)**.

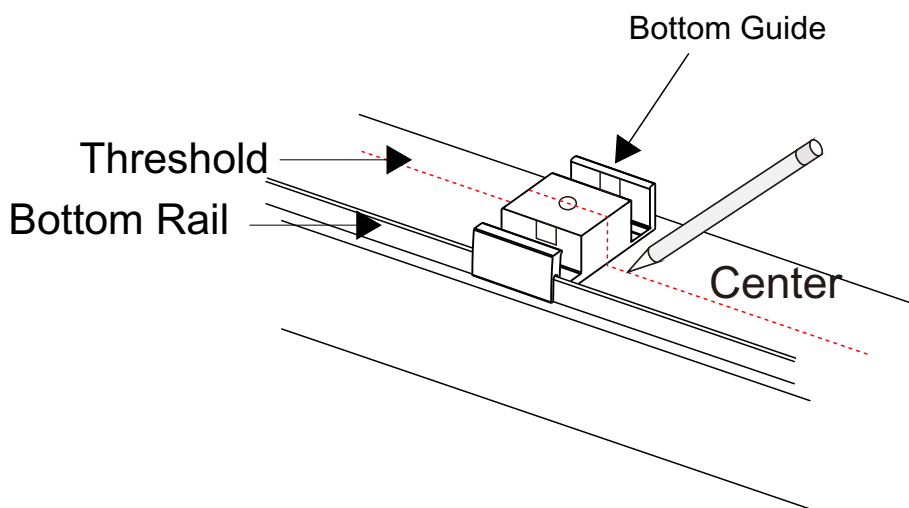
See Fig 8 & 9 for details



**Fig 8**



**Fig 9**



9. Draw a line along the wall on both side using a level.

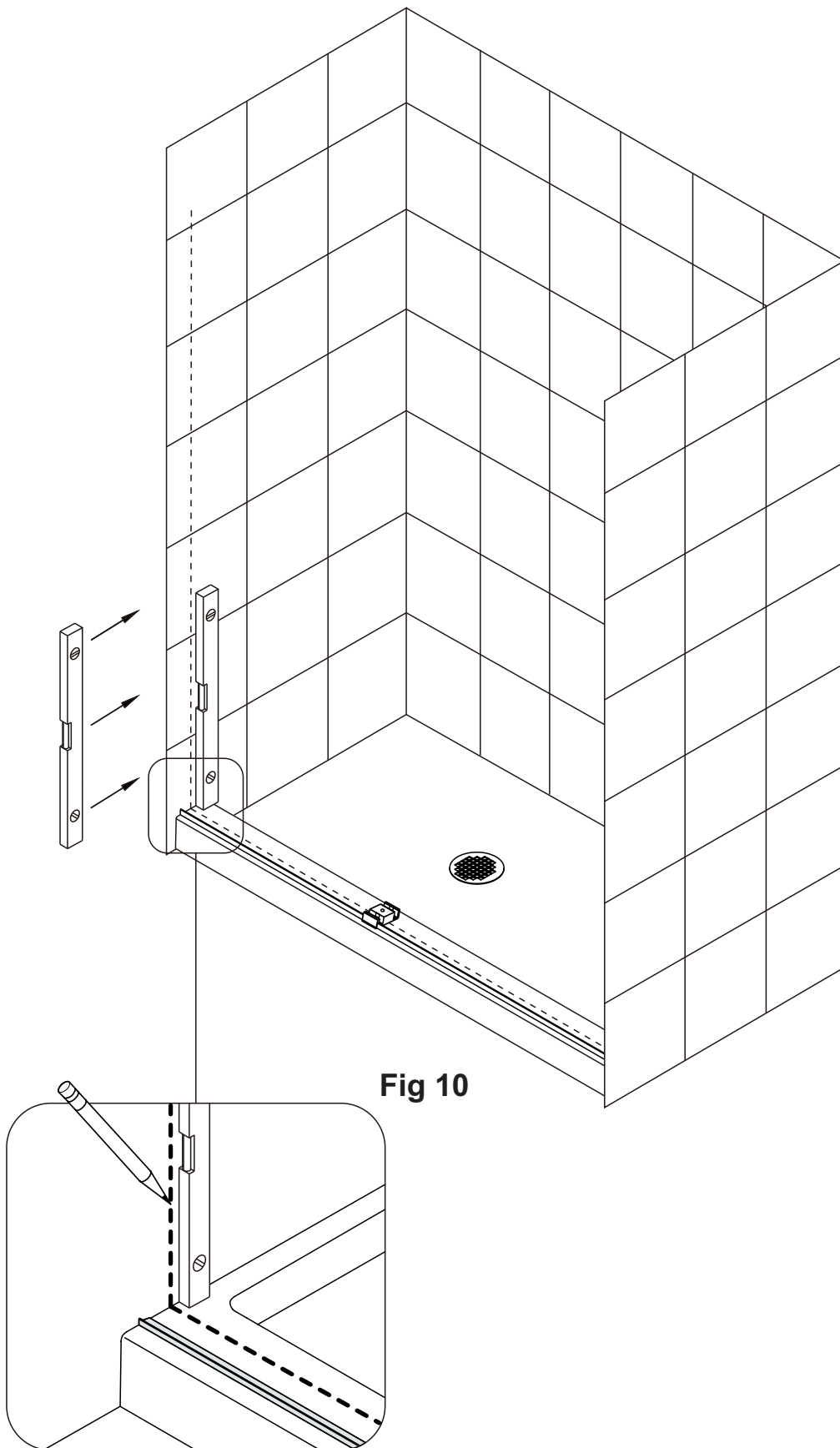


Fig 10

**10. To position the Wall Bracket (#02):**

Measure up from the threshold to the bottom corner of the **Wall Bracket (#02)**:  
71 1/8" for shower height model or 61 1/8" for tub height model. (See Table 1)

Repeat this process, marking a plumb line on the opposite wall.

See Fig 11 & 12 for details

Table 1

Model height	Wall Bracket height
76" (1930mm)	71 1/8"(1807mm)
66" (1676mm)	61 1/8"(1553mm)

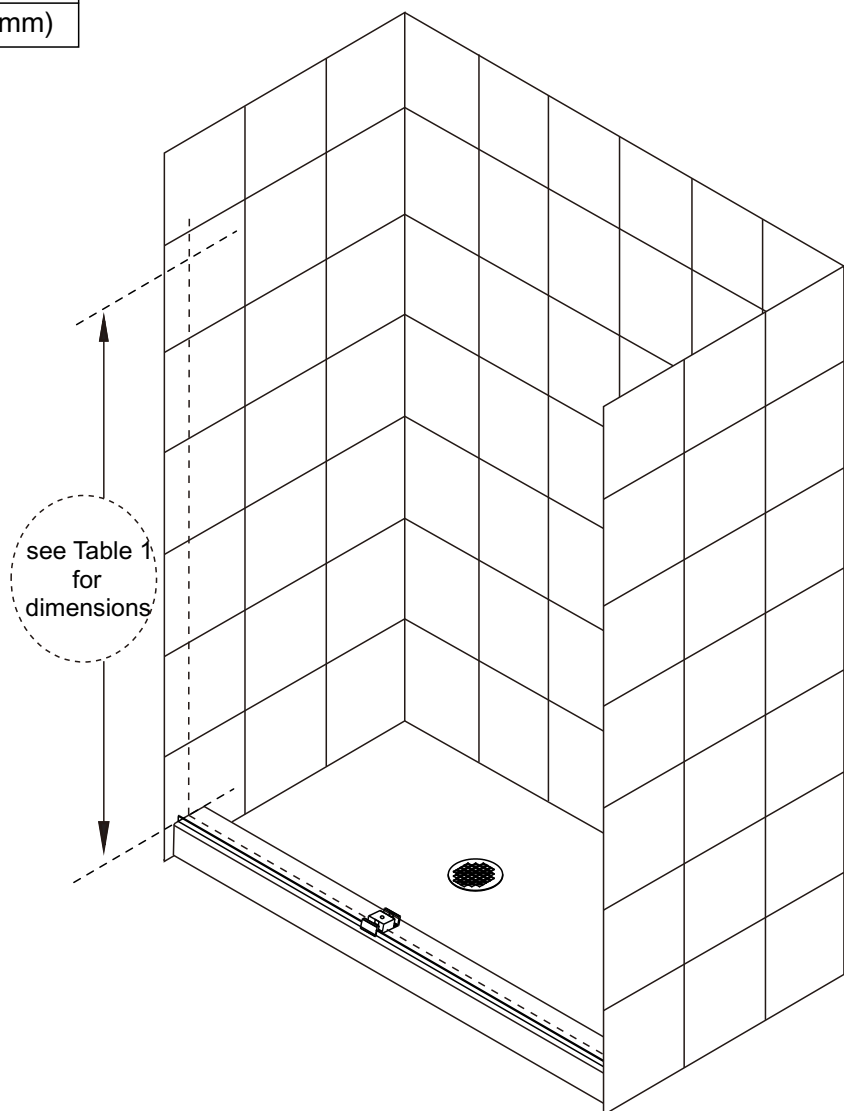


Fig 11

**11.** Hold the **Wall Bracket (#02)** in the designated position and mark the holes for drilling. Drill the holes using a **Ø5/16"** drill bit and insert the wall anchors. Attach the wall bracket assemblies using the **ST5 x 50 Countersunk Screws (#13)**.

See Fig 12 for details

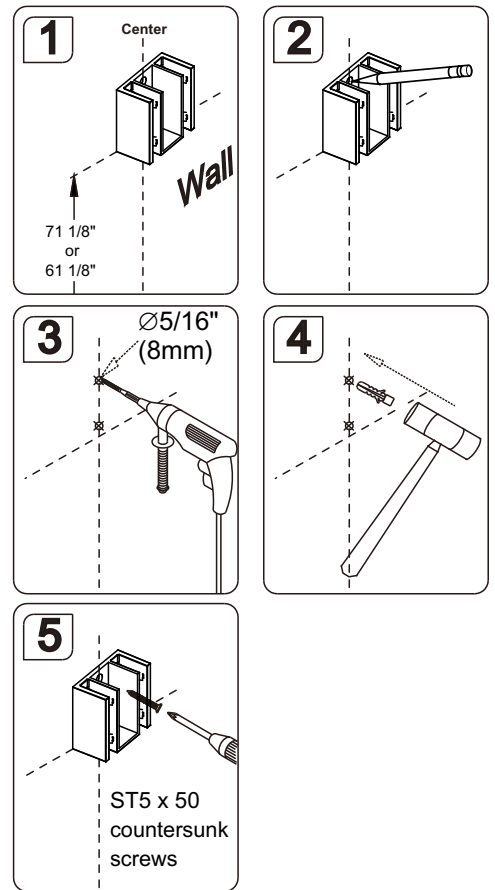
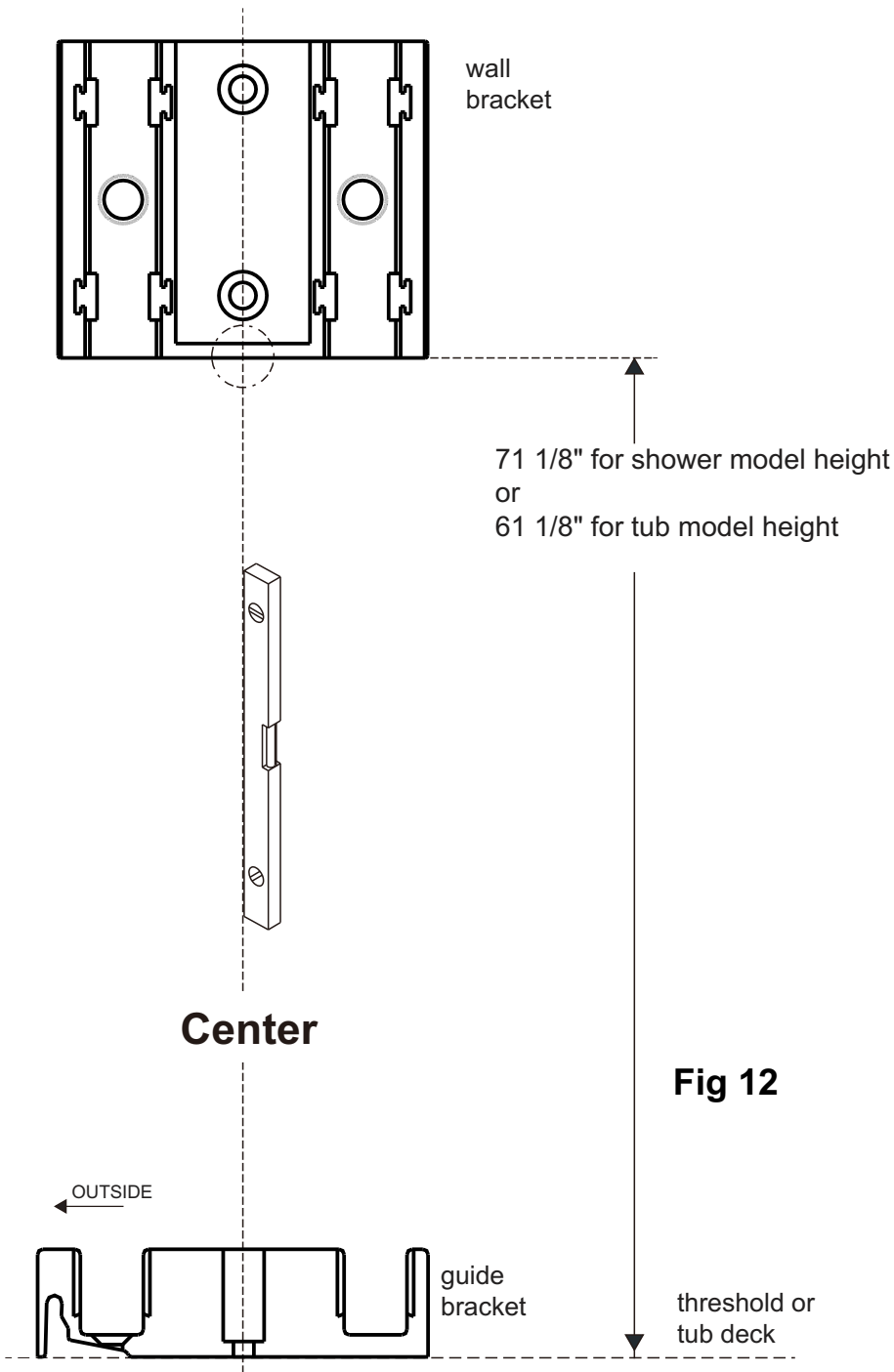


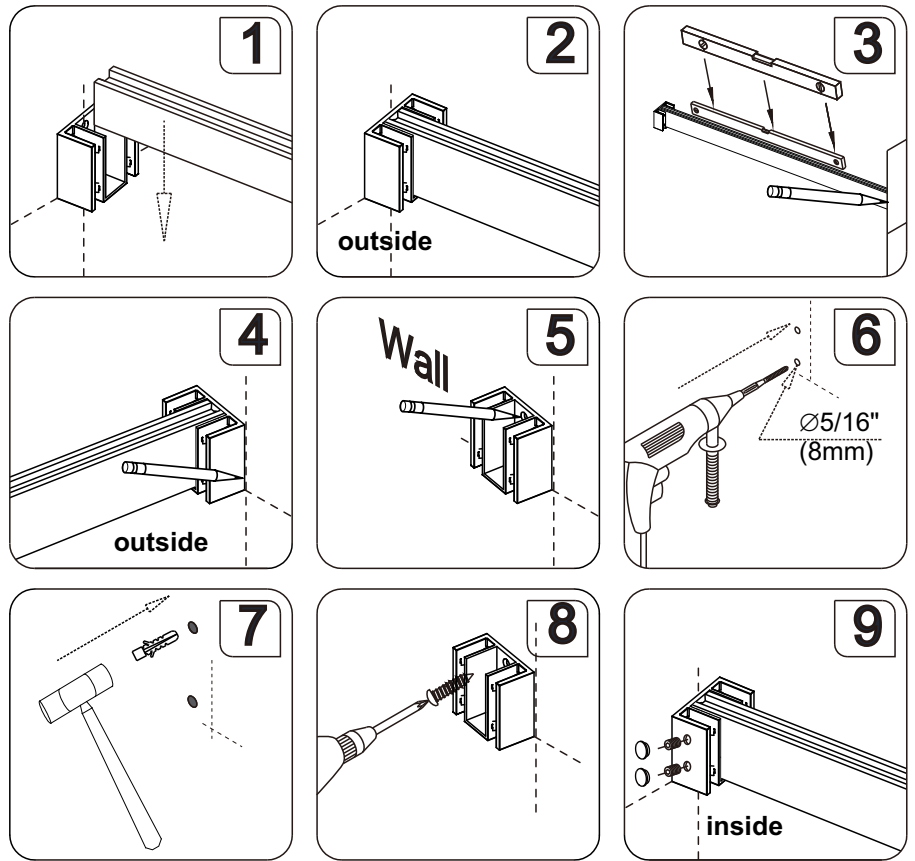
Fig 12

**12.** Insert the **Running Rail (#01)** into the installed **Wall Bracket (#02)**.

Temporarily attach the remaining **Wall Bracket (#02)** to the opposite end of the **Running Rail (#01)**. Place a level on top of the **Running Rail (#01)**. Align the **Wall Bracket (#02)** with the opposite plumb line from step #12 and mark the bracket's position on the wall.

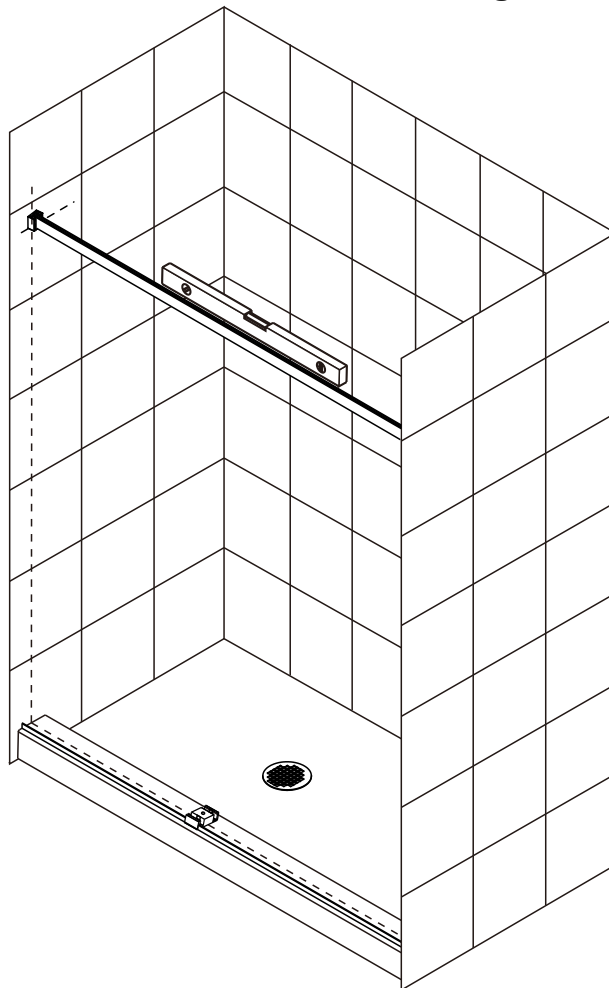
Remove the **Running Rail (#01)** and position the wall bracket onto the wall and mark the holes for drilling. Drill the holes using a  $\text{Ø}5/16''$  drill bit and insert the **Wall Anchors (#17)**. Attach the Wall bracket to the wall using the **ST5 x 50 Countersunk Screws**.

Install both of the Wall bracket assembly sides and secure with the set screws.



**Fig 13**

See Fig 13 for details



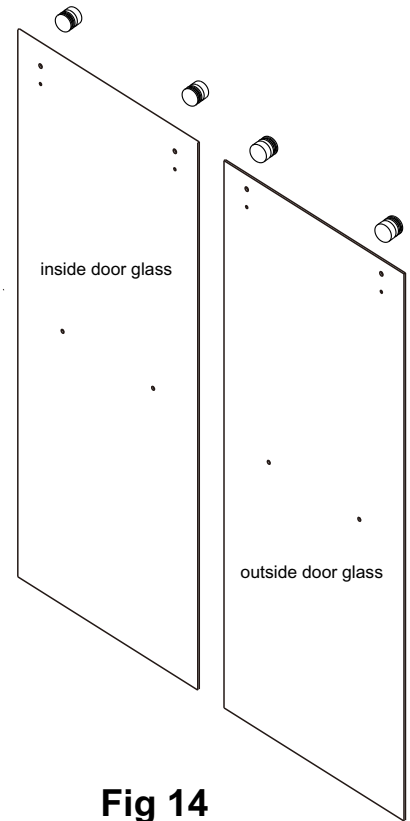


**13.** Remove the cap and screw from the **Rollers (#04)** and attach the **Rollers (#04)** to the **Inside Door Panel (#10)** and to the **Outside Door Panel (#11)**.

See Fig 14 & 14 for details



**NOTE: DO NOT** install the towel bars on the glass until instructed to do so.  
**DO NOT** lift the glass using the towel bars. This could result in damage to the glass and/or serious personal injury. Always use an assistant or a professional grade glass suction cup when handling heavy glass.



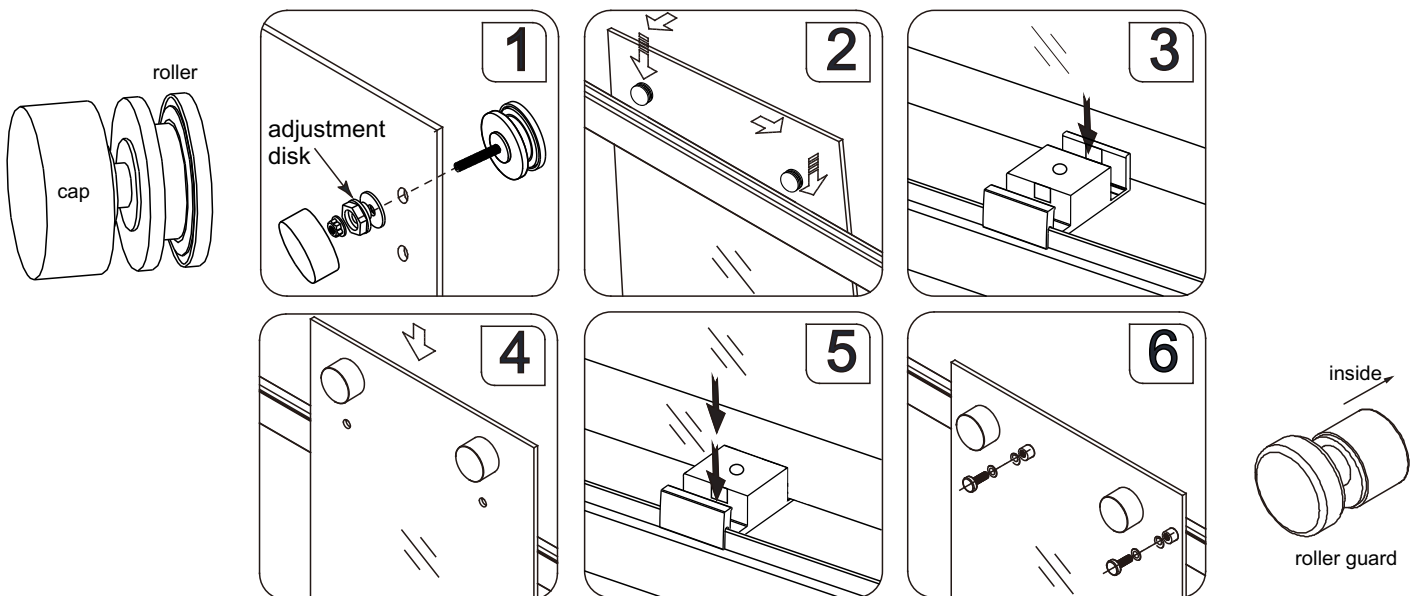
**Fig 14**

**14.** From inside the shower, hang the **Inside Door Panel (#10)** first. Insert one wheel into the notch in the top of the **Running Rail (#01)**. Slide the door over and insert the other roller wheel into the second notch (Fig 15.2) while inserting the Glass into the **Bottom Guide (#09)**. (Fig 15.3)

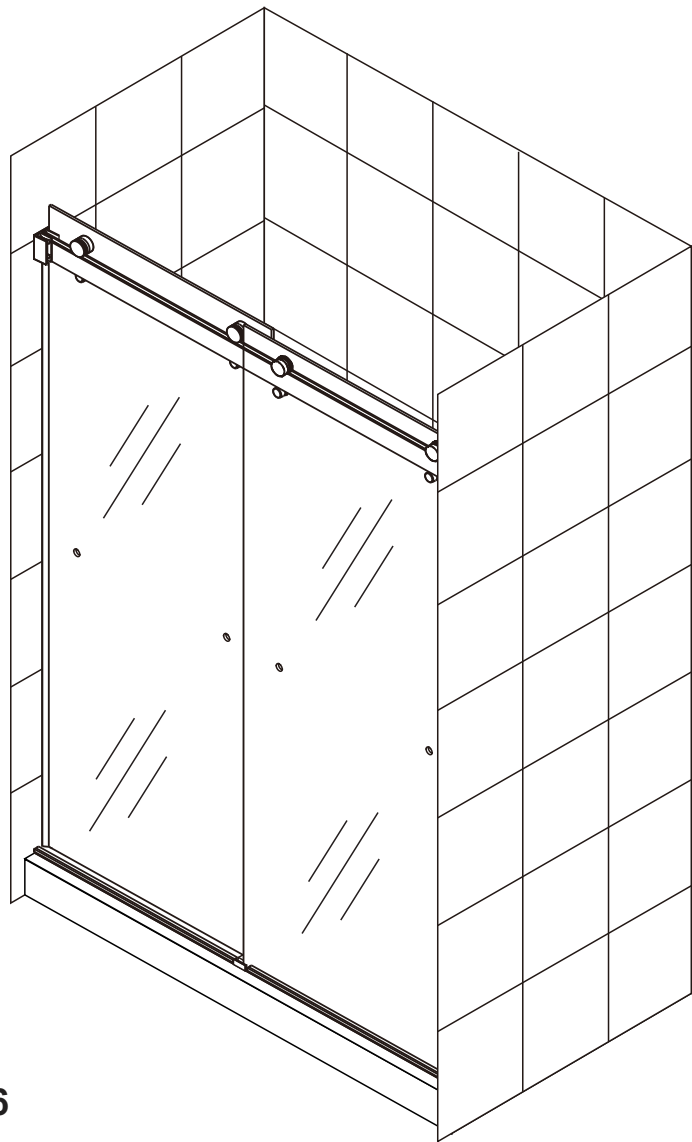
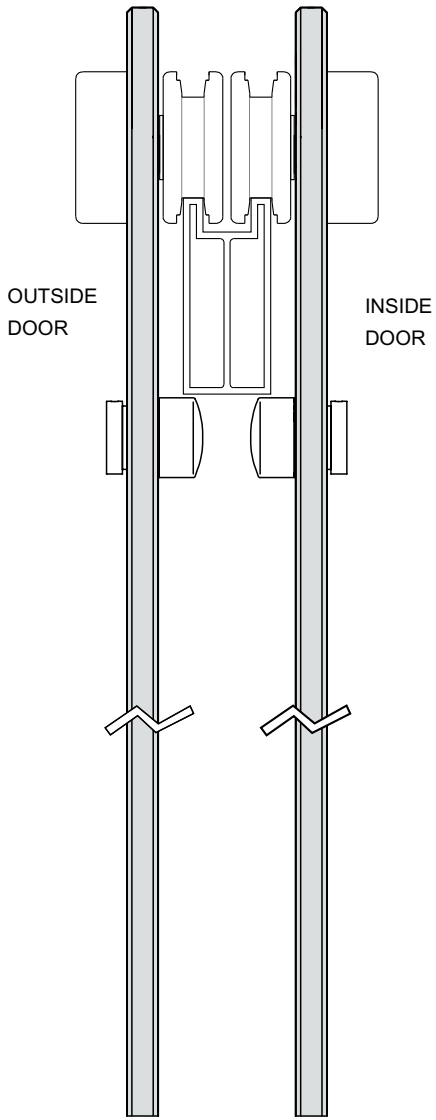
Next, from outside the shower, install the **Outside Door Panel (#11)** into the track on top of the **Running Rail (#01)** and into the **Bottom Guide (#09)**.

Attach the **Anti Jump Knobs (#03)** to the **Outside Door Panel (#11)** (Fig 15.6) to prevent the door glass from being lifted off of the **Running Rail (#01)**.

See Fig 15 & 16 for details



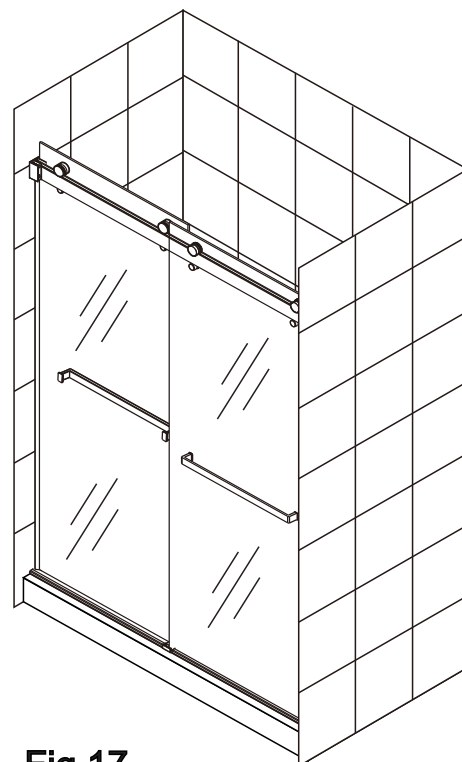
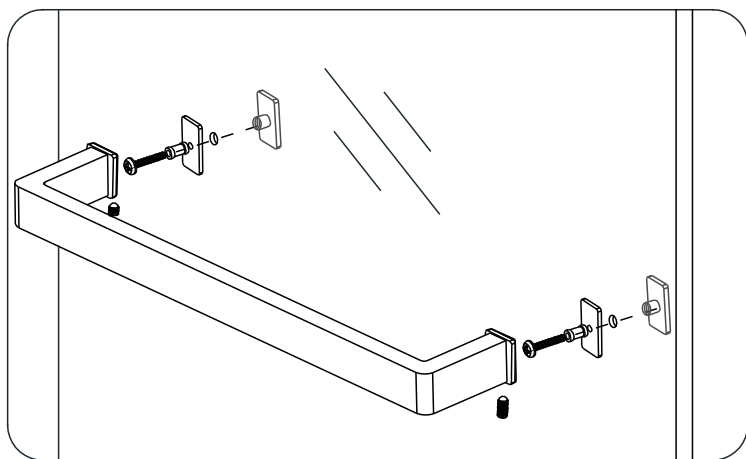
**Fig 15**



**Fig 16**

**15. Attach the Towel Bars (#05) to the Inside Door Panel (#10) and to the Outside Door Panel (#11). Be sure to use all of the supplied rubber gaskets to protect the glass.**

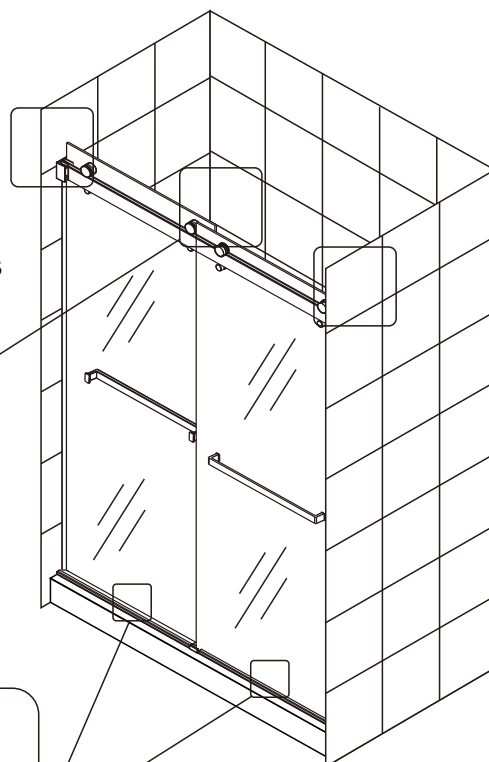
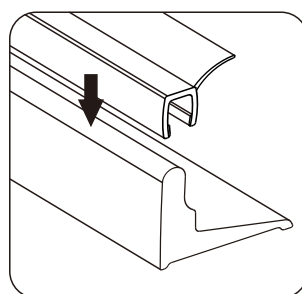
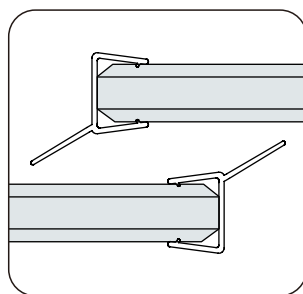
**See Fig 17 for details**



**Fig 17**

**16. Install the Side Gasket (#06) on the door panels, Install the Gasket (#07) on the Bottom Rail (#09) as shown.**

**See Fig 18 for details**

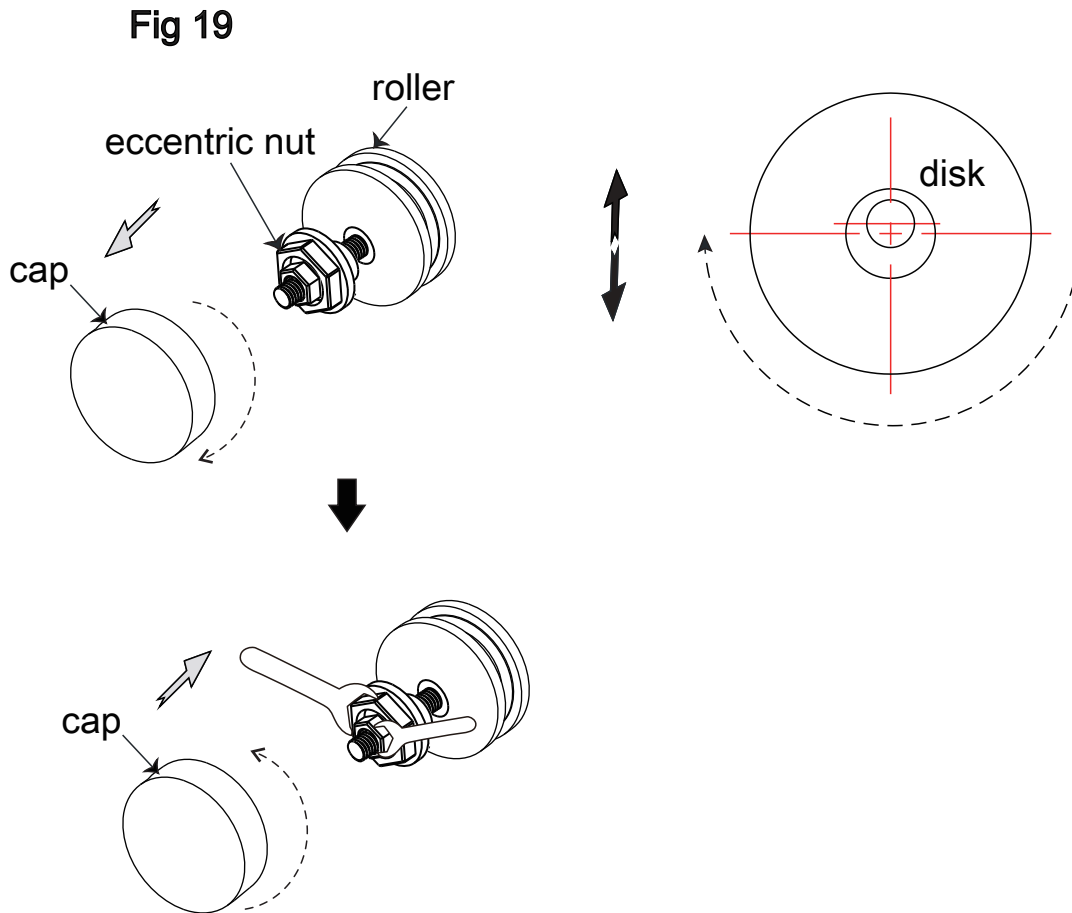


**Fig 18**

**TIP:** The roller assembly bushing that fits through the hole in the glass is elliptical. By rotating the eccentric nut by wrench disk, the door glass can be adjusted slightly in order to make even contact with both the top and bottom wall bumpers.

- Use a shim beneath the door glass so that it does not make contact with the threshold during adjustments
- Temporarily adjust the roller guards for clearance
- Remove the cap from the roller assembly and loosen the bolt
- Rotate the eccentric nut by a 10mm wrench or similar and tilt the door glass into the desired position
- Hold the glass in position and re-tighten the bolt
- Test the operation of the door. Repeat on the other roller as necessary
- Replace the roller assembly cap and re-adjust the roller guards

**See Fig 19 for details**



**17.** Apply a good quality mildew-resistant silicone on the walls and threshold along the bottom profile and wall profiles.

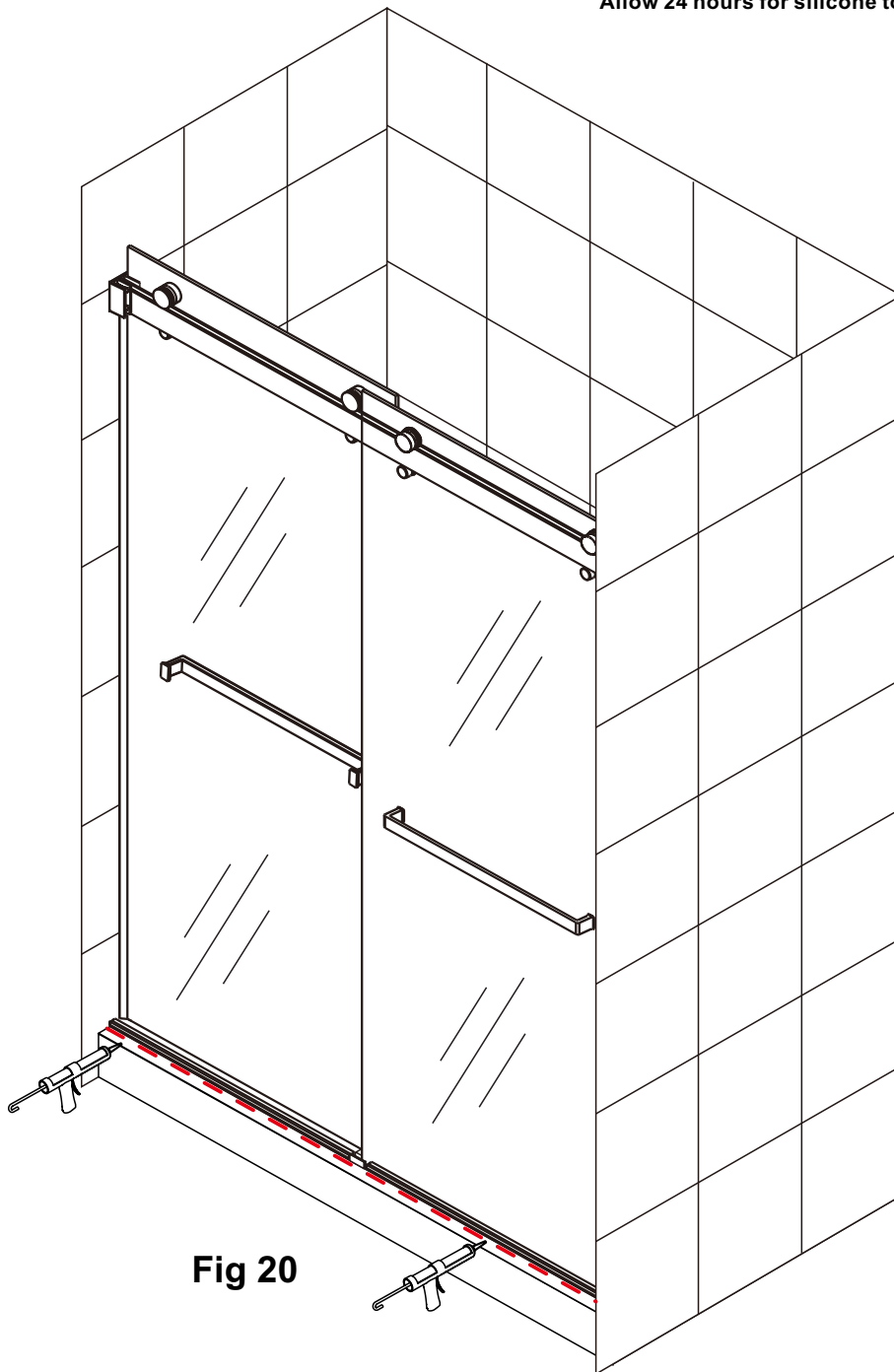
**Allow 24 hours for the silicone to fully cure before using the shower.**

See Fig 20 for details



**24 HOURS**

Allow 24 hours for silicone to dry before use.



**Fig 20**



Use Painter's Tape to hold the Wall profiles and Bottom rail tight in position while the silicone cures.