

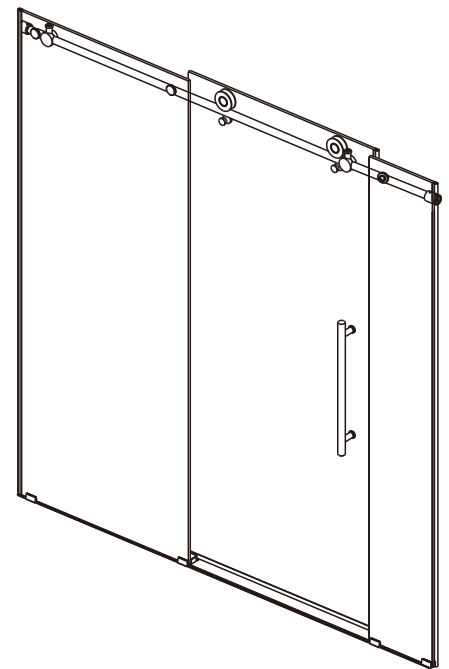
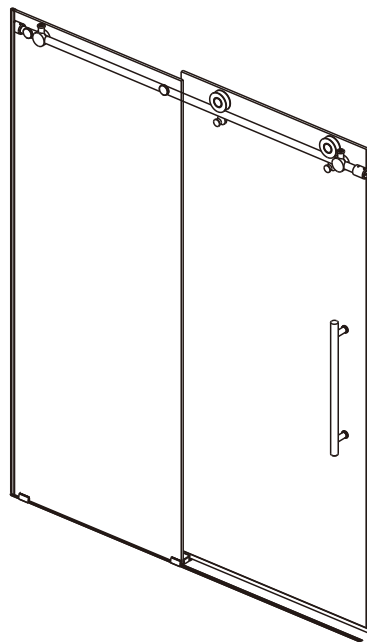
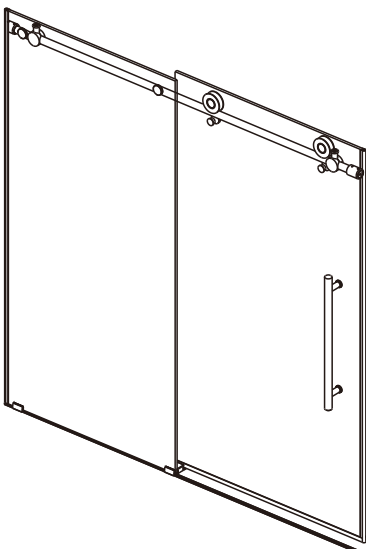


## NAPOLI

# INSTALLATION INSTRUCTIONS

---

**SHOWER AND TUB DOOR INSTALLATION INSTRUCTIONS**  
**PLEASE REVIEW THIS ENTIRE MANUAL PRIOR TO INSTALL**



TDNA-6066CG-CH  
TDNA-6066CG-BN  
TDNA-6066CG-MB  
TDNA-6066CG-BG

SDNA-4876CG-CH & SDNA-4876CG-BN  
SDNA-4876CG-MB & SDNA-4876CG-BG  
SDNA-6076CG-CH & SDNA-6076CG-BN  
SDNA-6076CG-MB & SDNA-6076CG-BG

SDNA-7276CG-CH  
SDNA-7276CG-BN  
SDNA-7276CG-MB  
SDNA-7276CG-BG

### FINISH

CH - Chrome    BN - Brushed Nickel    MB - Matte Black    BG - Brushed Nickel

## ◆ General Information

Inspect the product immediately upon receipt for transit damage, missing packs/parts or manufacturing fault. Damage reported later will not be accepted. Handle the product with care avoiding knocks and shock loading to all sides and edges of the glass.

**Notes: Safety glass can not be re-worked.**

Read these instructions carefully before start of installation.

Special care should be taken when drilling walls to avoid hidden pipes or electrical cables.

Note: This product is heavy and may require two people to install.

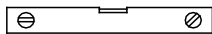
## Aftercare instructions

After use, your shower should be cleaned with soap and water. This is particularly important in hard water districts where insoluble lime salts maybe deposited and allowed to build up. Cleaners of a gritty or abrasive nature should not be used. Care should be taken to avoid contact with strong chemicals, they can be used but with caution, if in doubt contact the manufacturer of the cleaner in question.

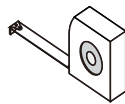
Keep these instructions for aftercare and customer service details.

---

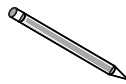
## Tools Required



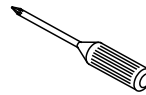
Level



Tape Measure



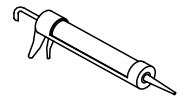
Pencil



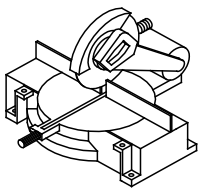
Phillips Screwdriver



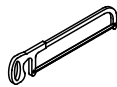
Hammer



Silicone



Miter saw or Hacksaw



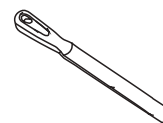
Power Drill



Drill bit  
(Ø=5/16")  
(Ø=8mm)



Drill bit  
(Ø=1/8")  
(Ø=3mm)



Metal File



Painter's Tape



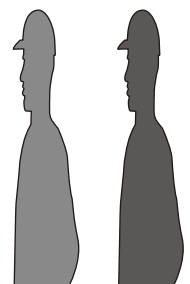
Threshold must be level; Walls must be plumb.



Measure the finished opening before proceeding with the installation to be sure that the correct model size has been ordered.



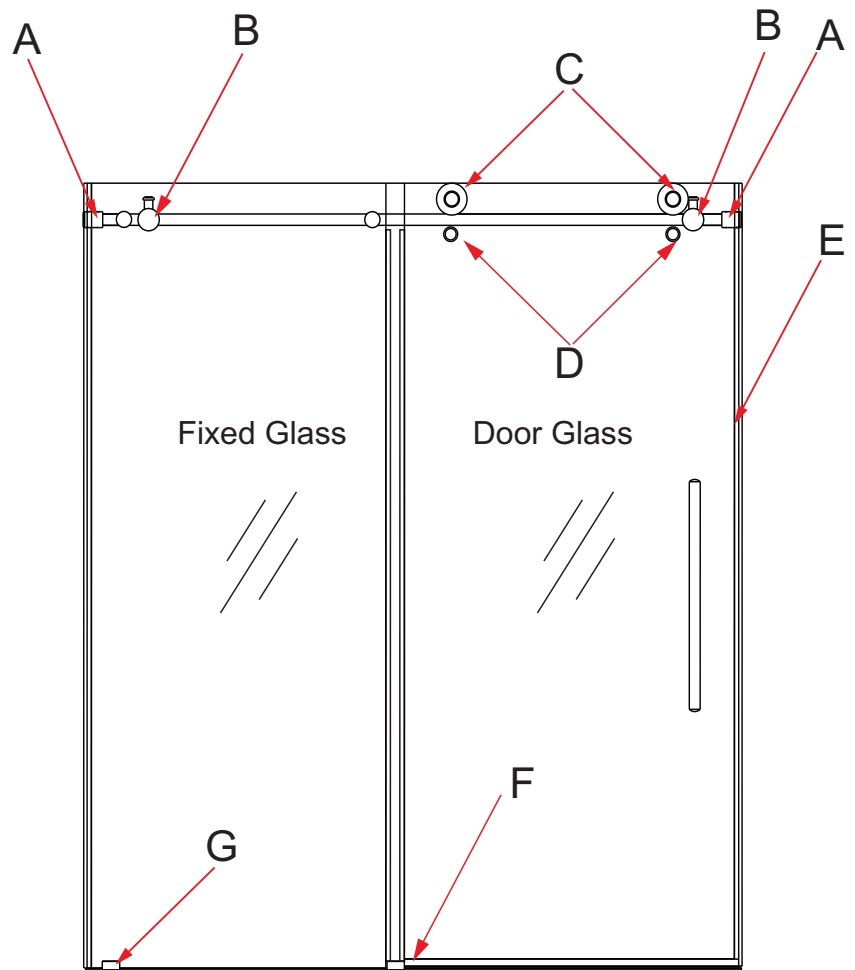
These instructions will show the installation of the shower door. Please follow the same steps for the installation of the tub door.



# Important Model Information



IMPORTANT INFORMATION  
REGARDING THE INSTALLATION  
OF THIS SHOWER DOOR



\*Right-hand door installation shown

**A Wall Brackets** must be firmly attached to the wall. Installation into a stud is strongly recommended. All of the wall bracket set screws must be tightened.

**B Panel-side Stopper** must be installed into the pre-drilled stopper hole in the top rail.  
**Door-side Stopper** must be installed at the proper position to stop the door from contacting the wall. Thread Lock must be applied to both stopper set screws.

**C Roller Wheel Safety Set Screws** must be re-tightened during installation

**D Anti Jump Device** must be adjusted during installation to make contact with the Top Rail.

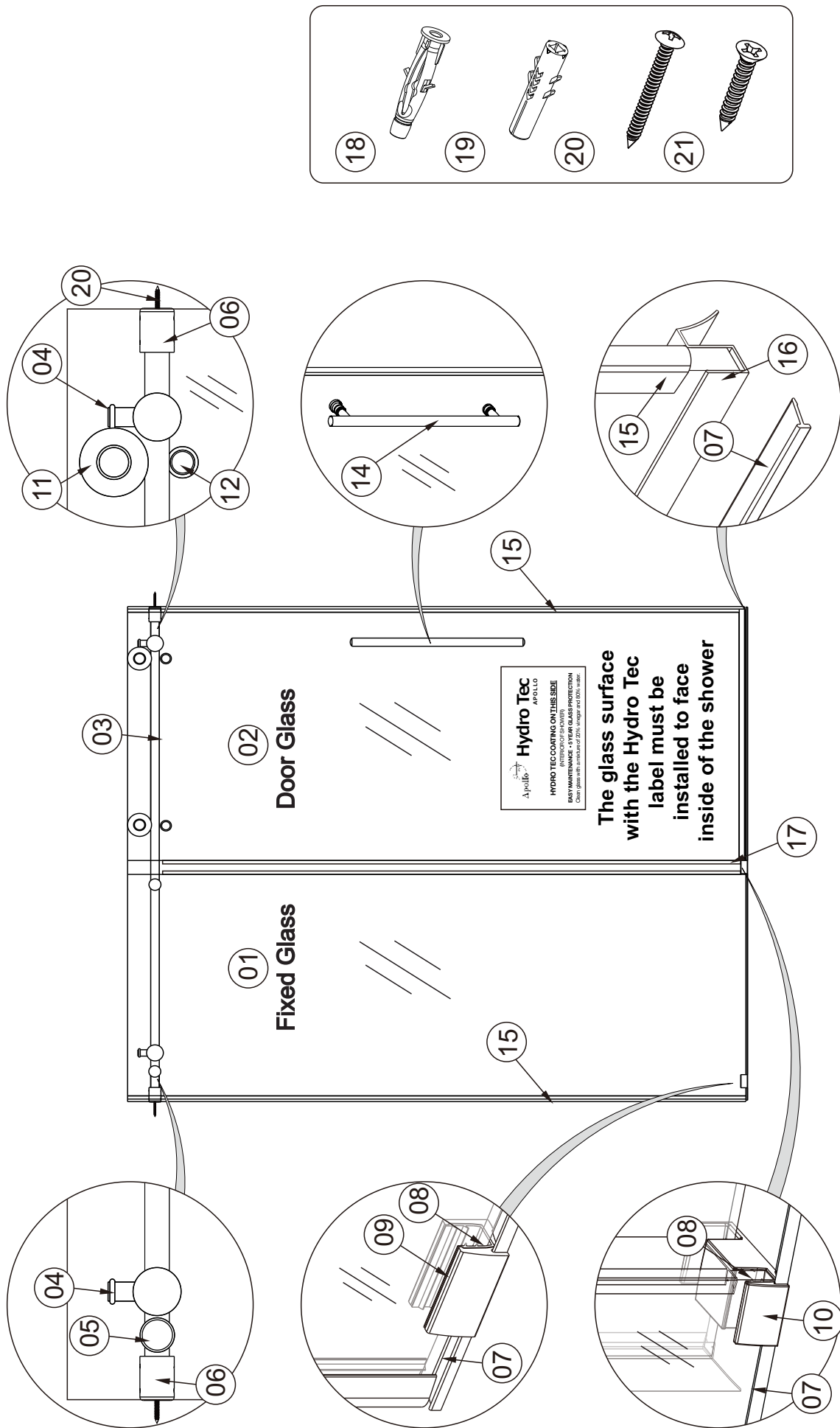
**E Bulb Vinyl Strip** must be installed on the closing edge of the Door Panel.

**F The Guide Block** must be screwed to the threshold and installed square to the panel glass and door glass. Installing the guide block crooked may damage the bottom edge of the door glass and lead to breakage.

**G Bottom Glass Clip** must be secured in position.

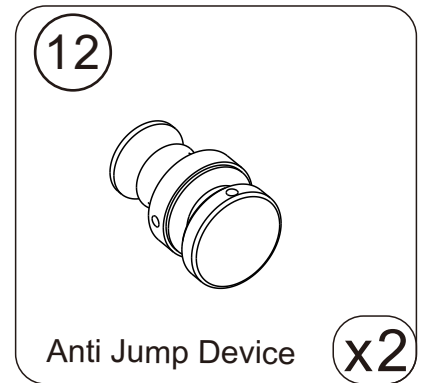
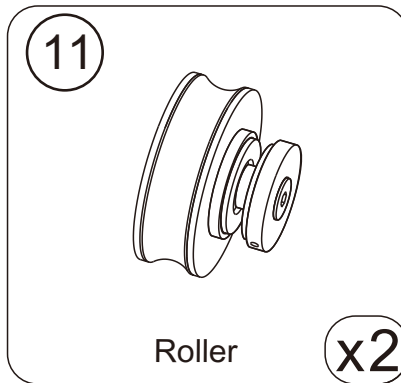
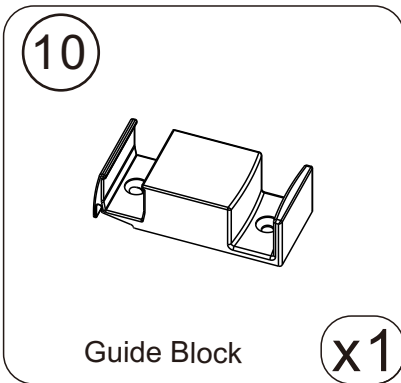
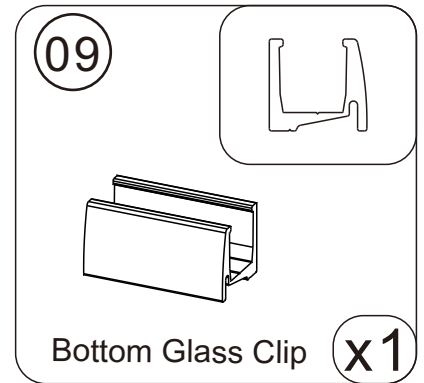
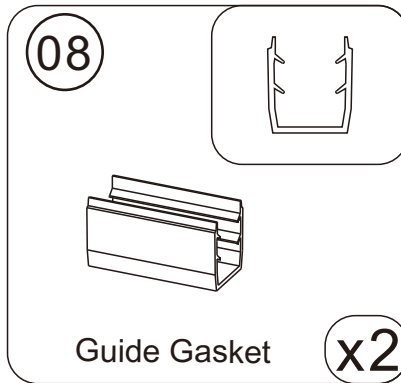
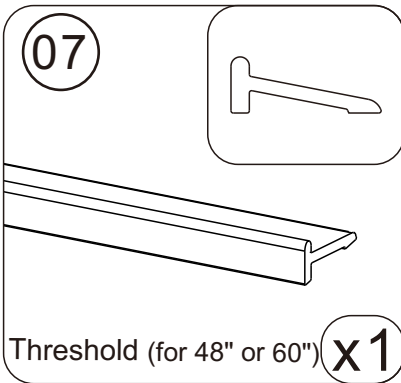
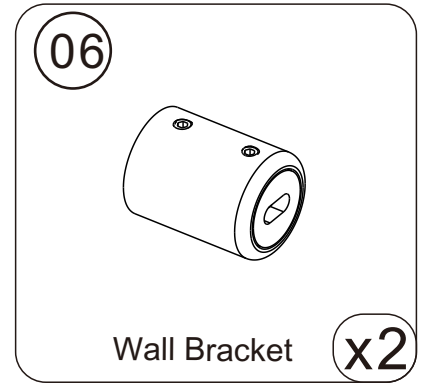
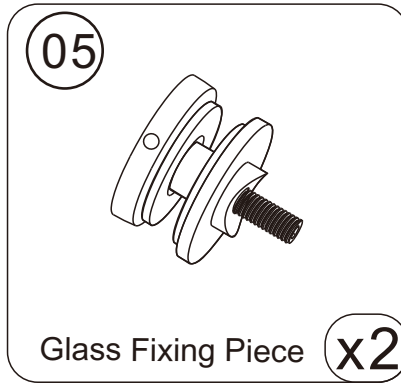
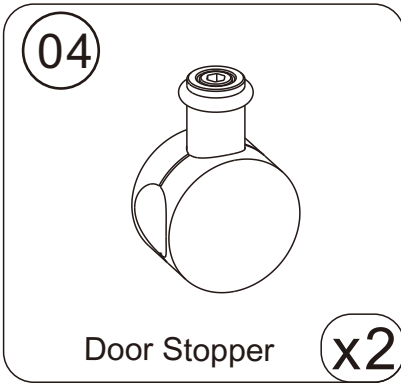
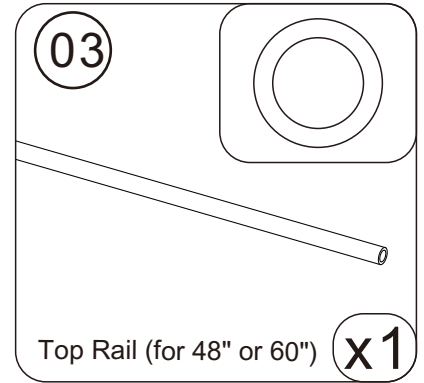
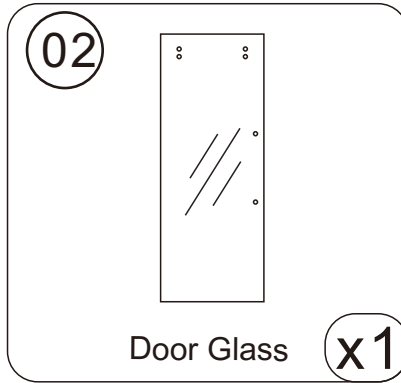
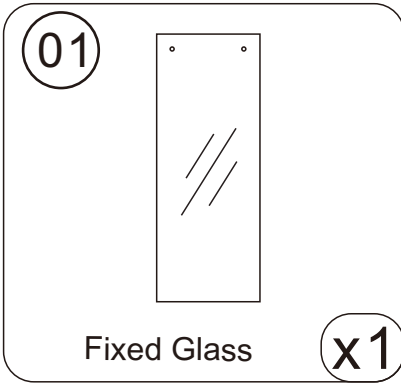
**PLEASE READ THE ENCLOSED INSTALLATION MANUAL FOR DETAILS REGARDING PROPER INSTALLATION.**

# Detailed Diagram 'A' of Shower Door Components

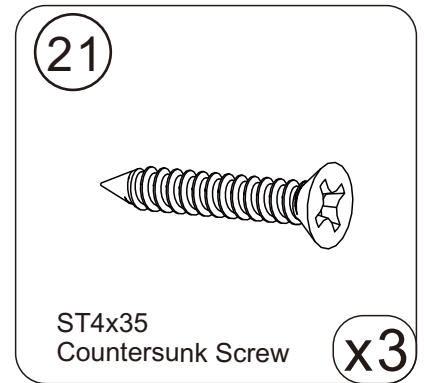
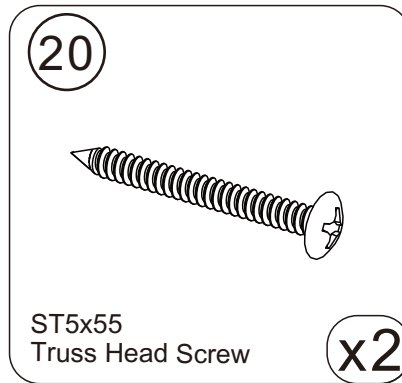
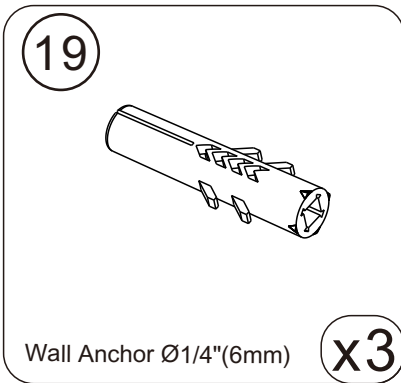
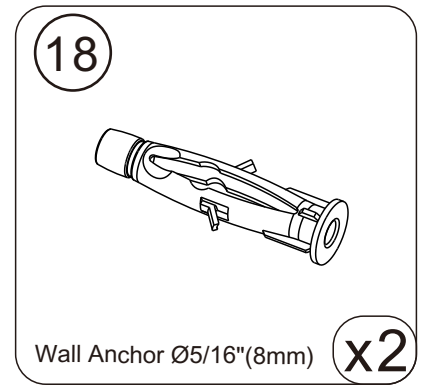
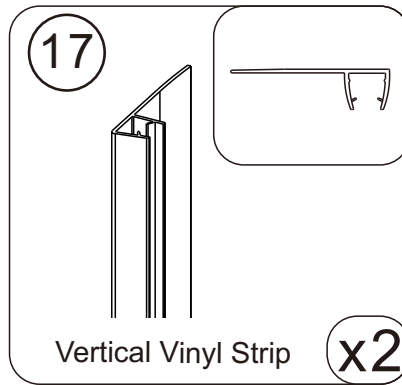
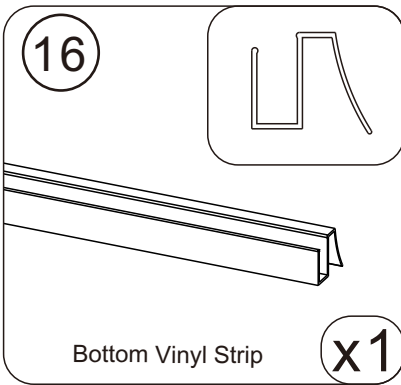
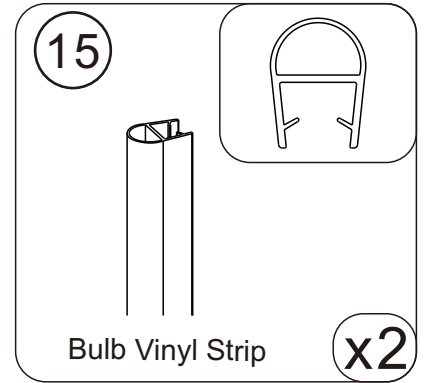
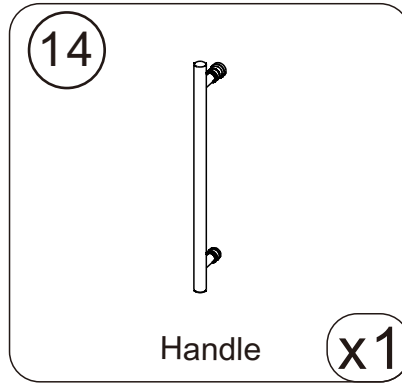
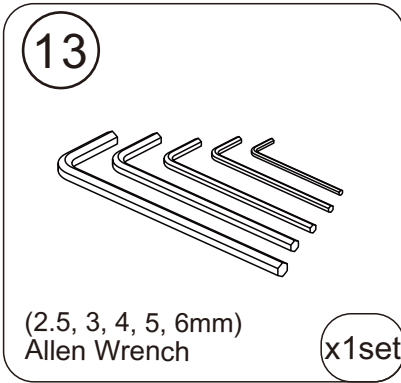


\*Right-hand door installation shown

# Parts List A

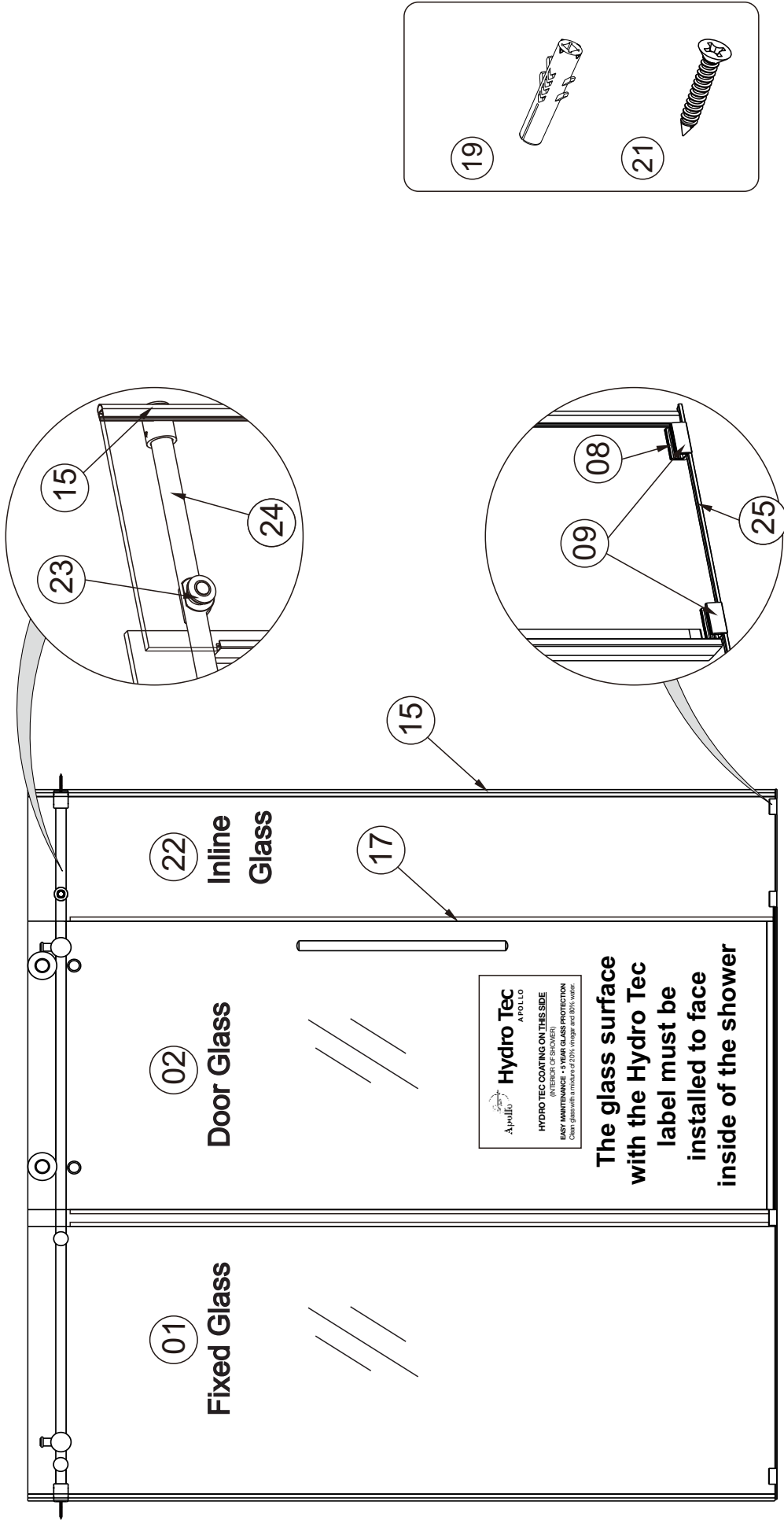


# Parts List A - Continue



**72"**  
MODEL  
ONLY

# Detailed Diagram 'B' of Shower Door Components

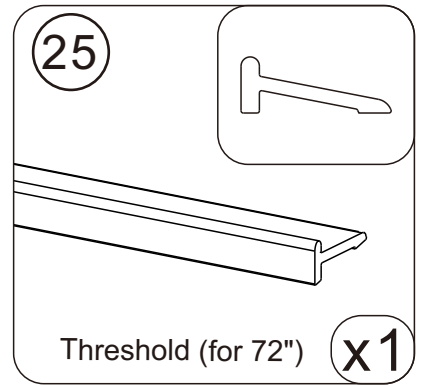
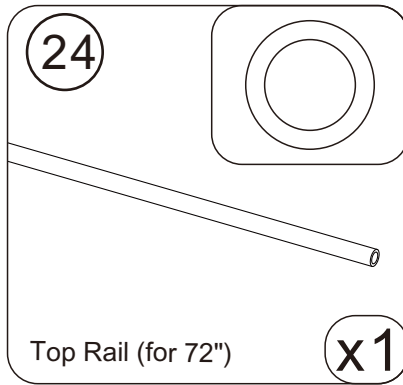
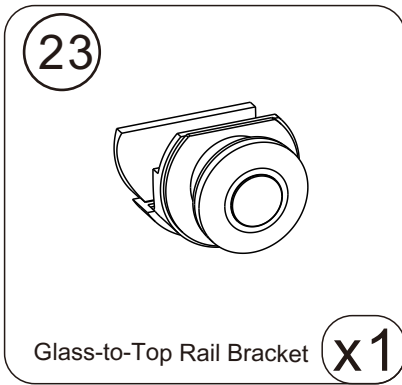
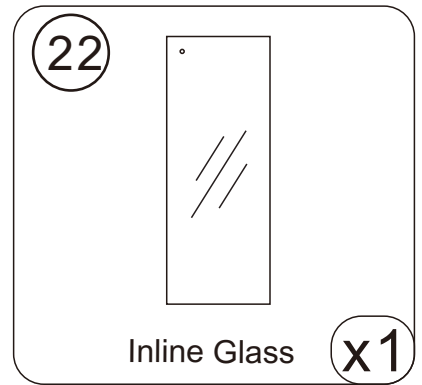
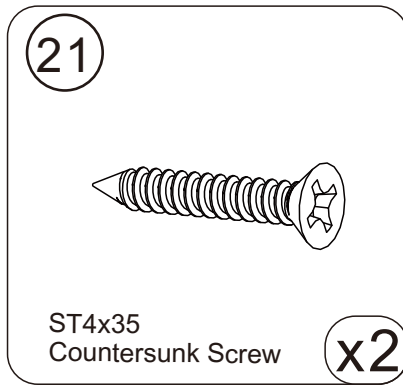
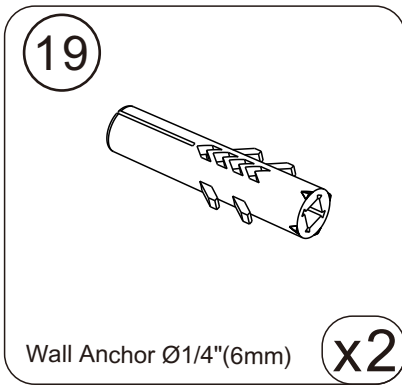
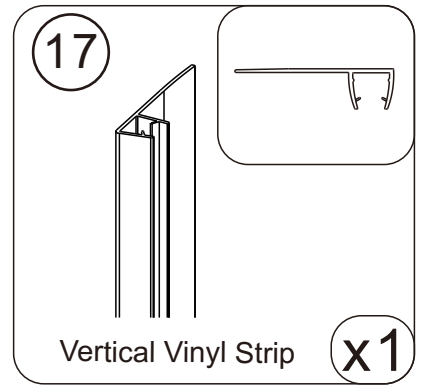
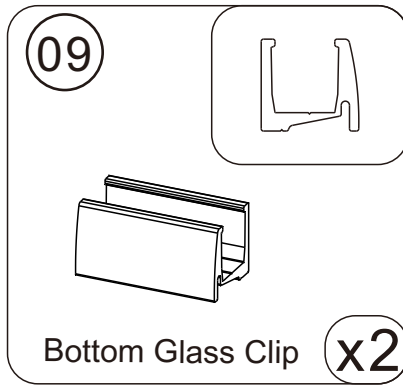
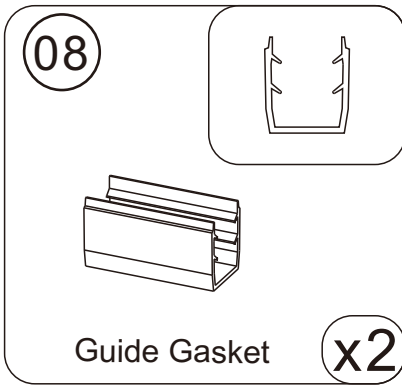


for Model:

SDNA-7276CG-CH & BN & MB & BG

\*Right-hand door installation shown

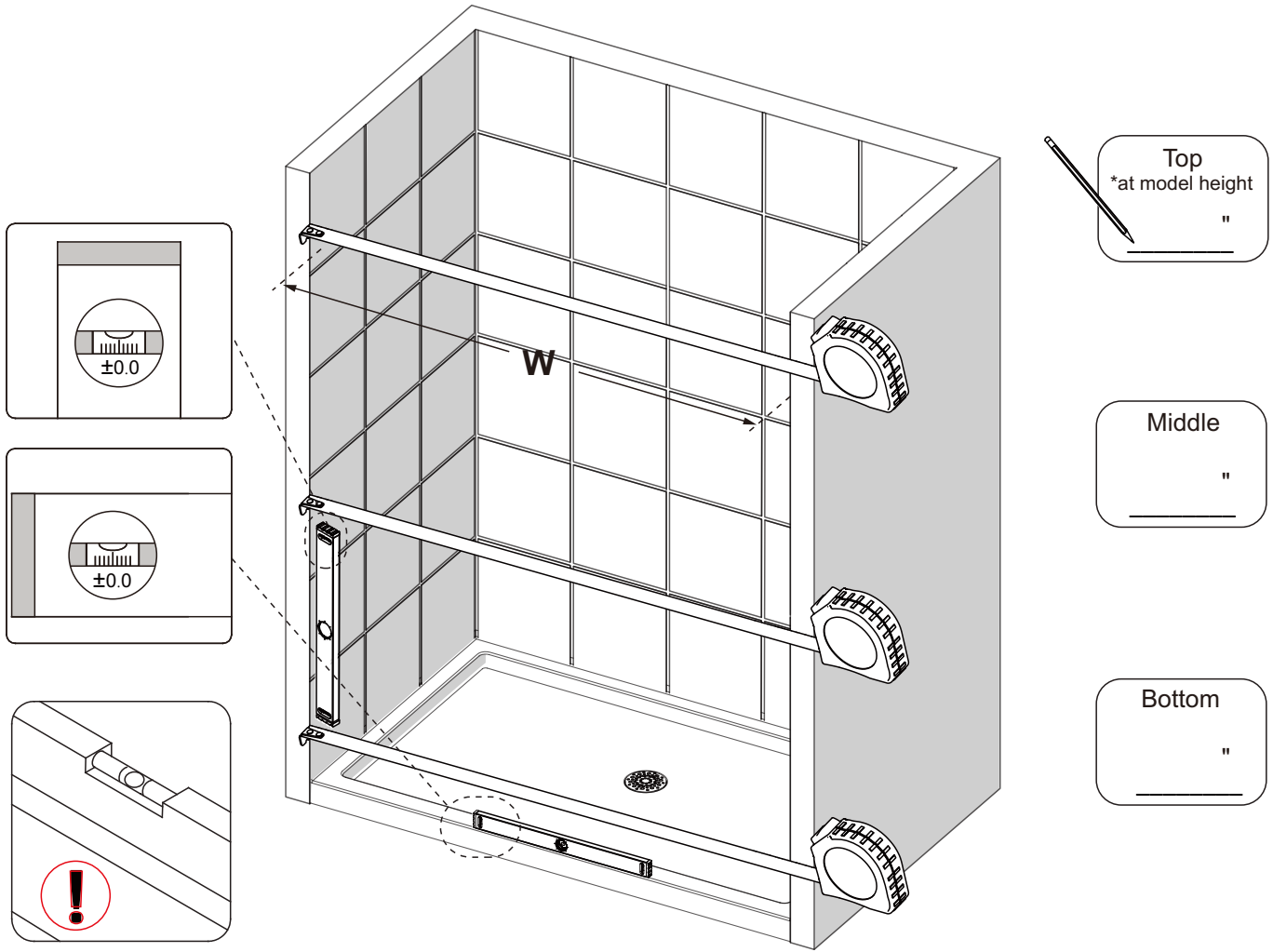
# Parts List B



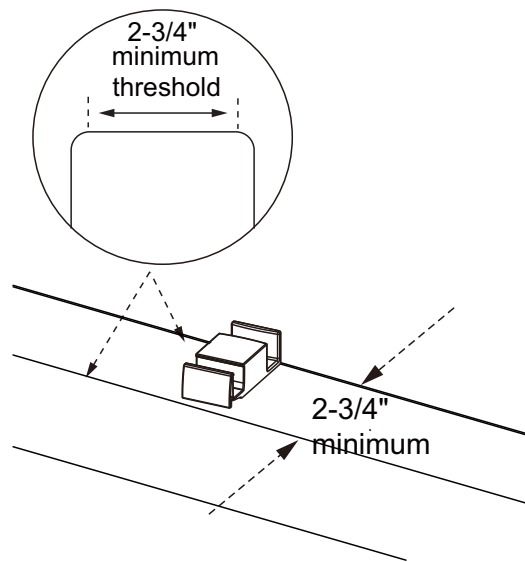


# Installation Steps

## Step 1



Threshold must be level



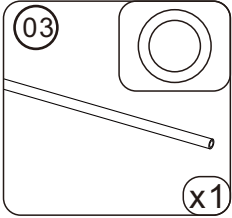
The minimum threshold requirement for the NAPOLI is **2-3/4"** of flat threshold space.

## Step 2

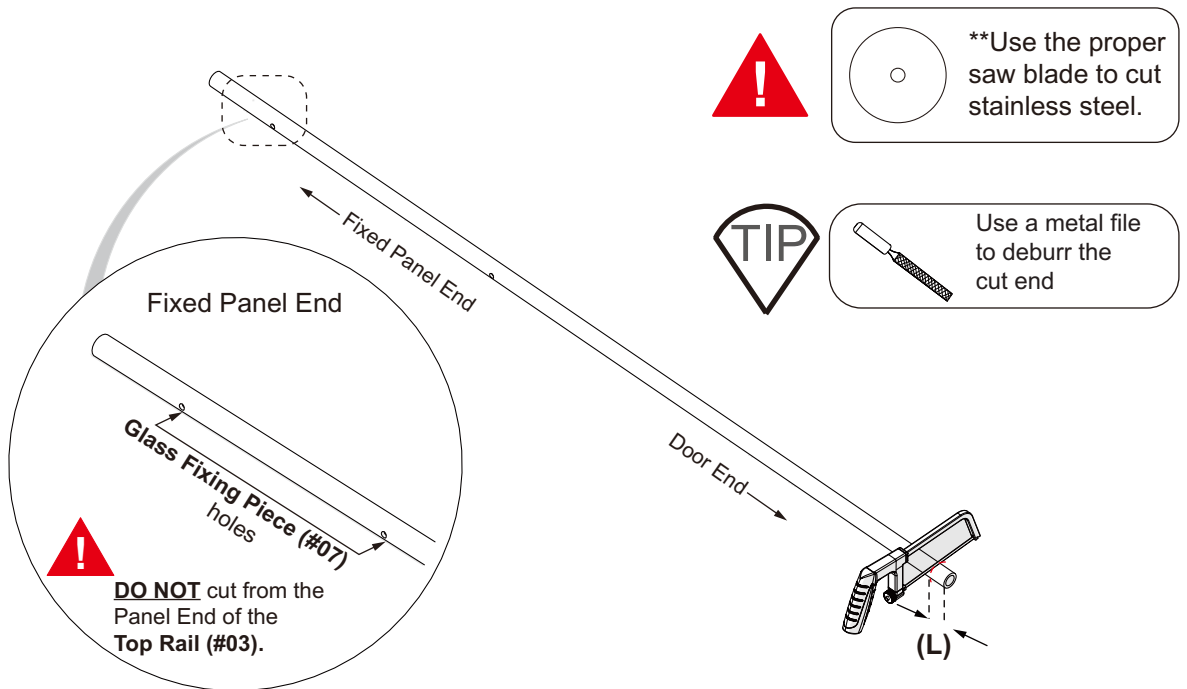
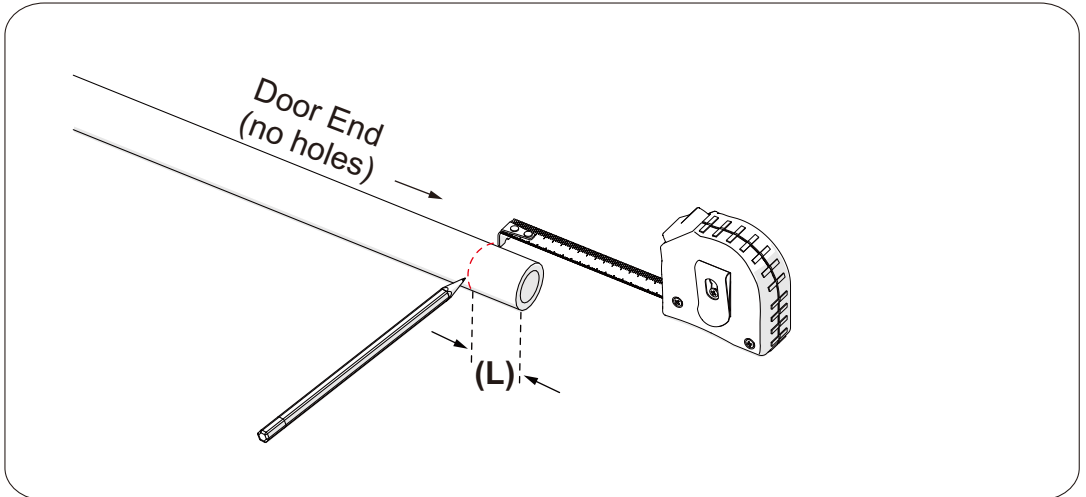
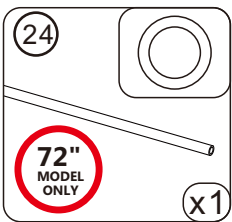
The length to cut-off from the door side of the Top Rail (#03) will be (L):

$$\text{Model Width (-) Finished Opening (W) = Cut-off Length (L)}$$

### Parts Needed



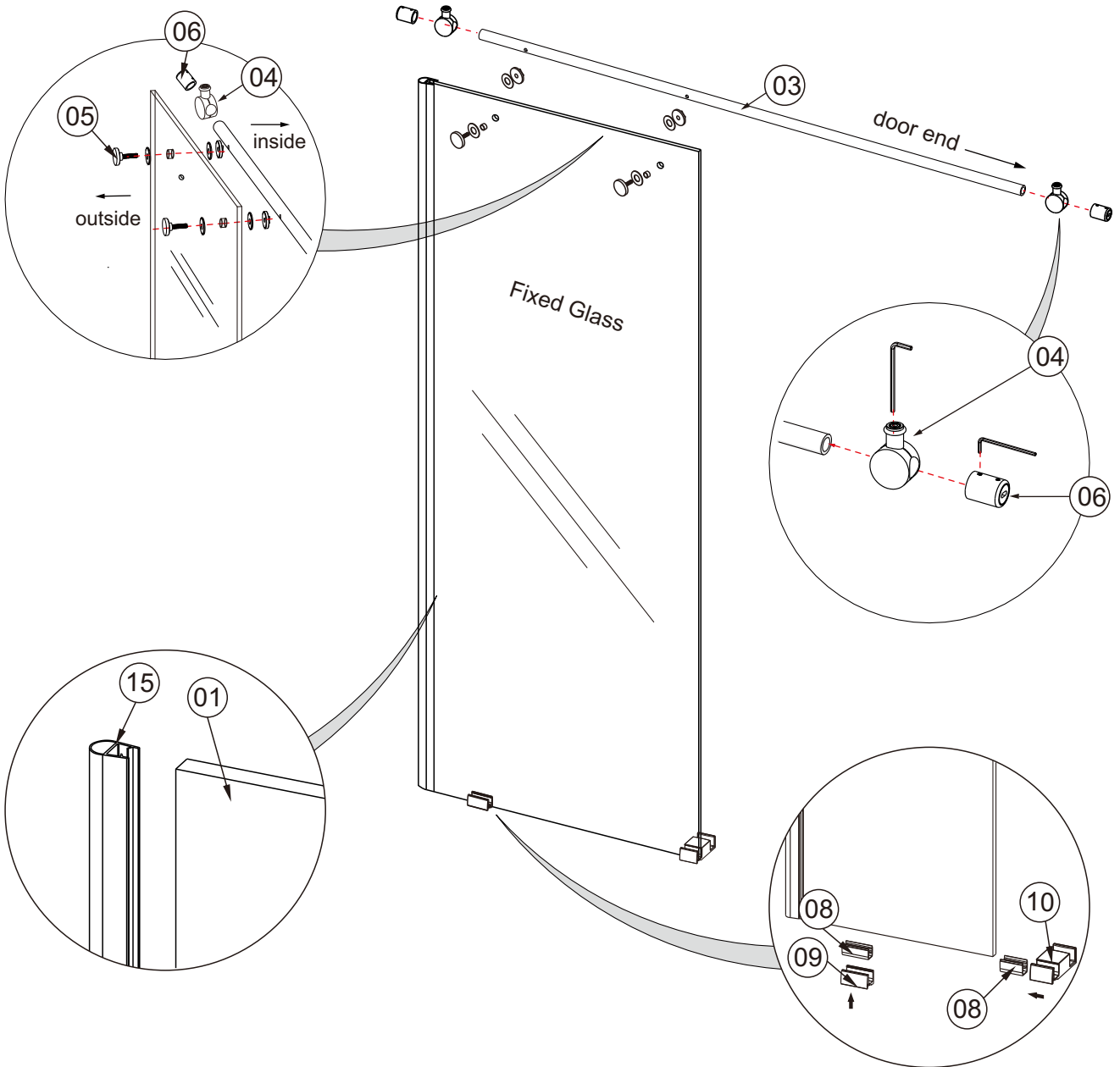
OR



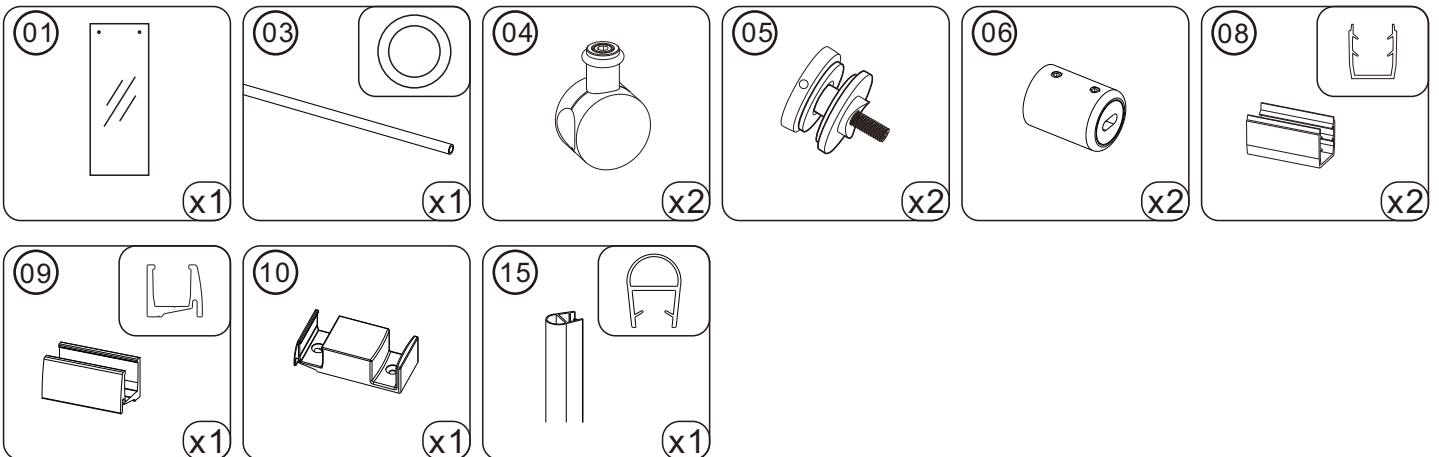
The Top Rail (#03) has been pre-cut for the model width of: 48", 60", 72"  
(The actual rail is shorter than the model width by design to account for the wall brackets.)

Cut the Top Rail (#03) from the door end **only**, which is the end that is farther from the Glass Fixing Piece (#05) holes. **DO NOT** cut the fixed panel end of the Top Rail (#03).

### Step 3

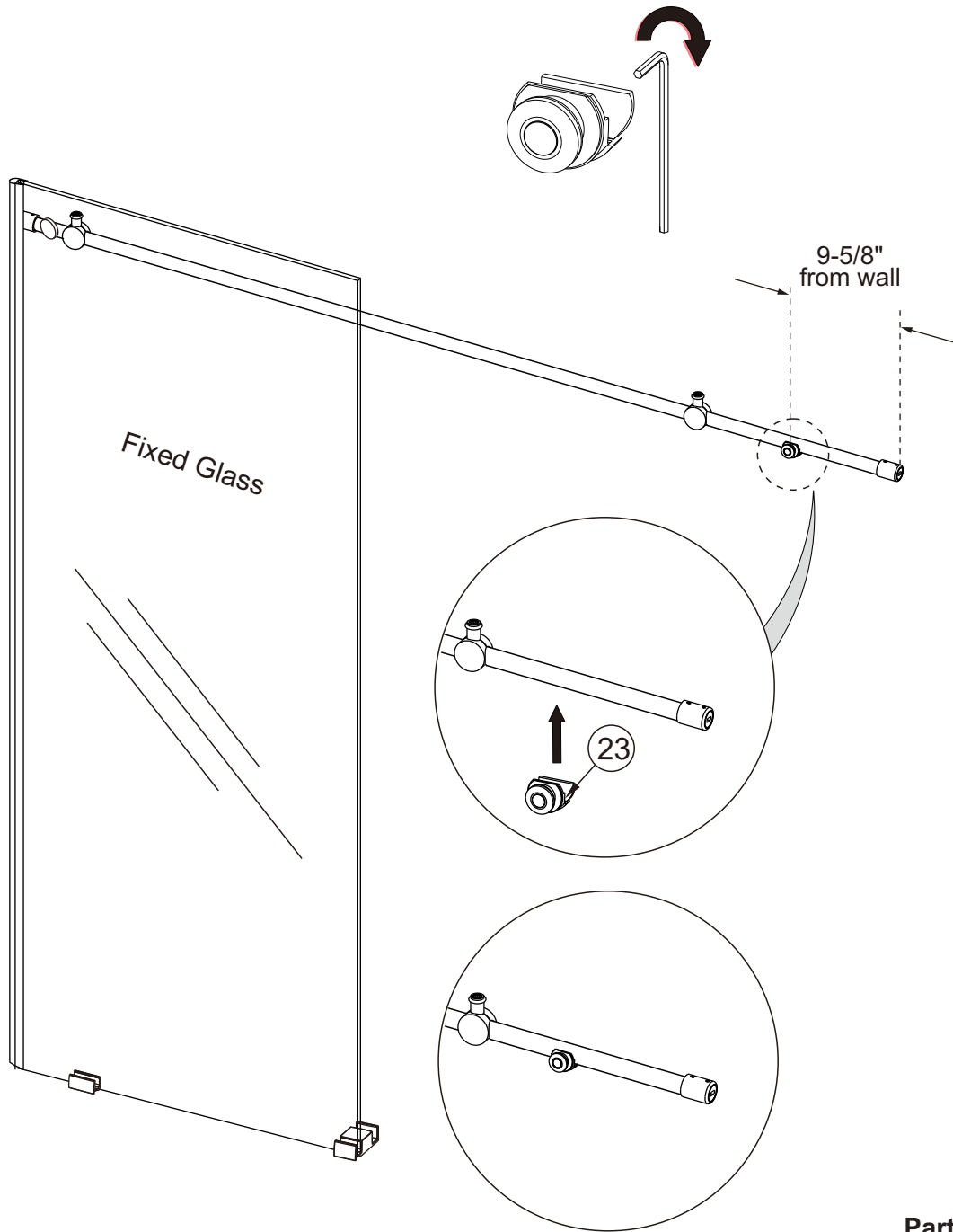


#### Parts Needed

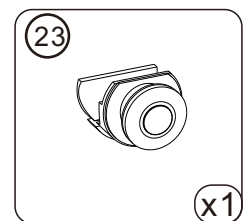


Step 4

72"  
MODEL  
ONLY



Parts Needed



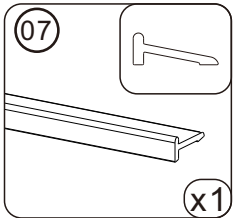
NOTE

Loosen the screw on the rear of the **Glass-to- Top Rail Bracket (#23)** with the supplied allen wrench and secure it to the **Top Rail (#24)**. It is **NOT** necessary to fully disassemble the bracket during installation.

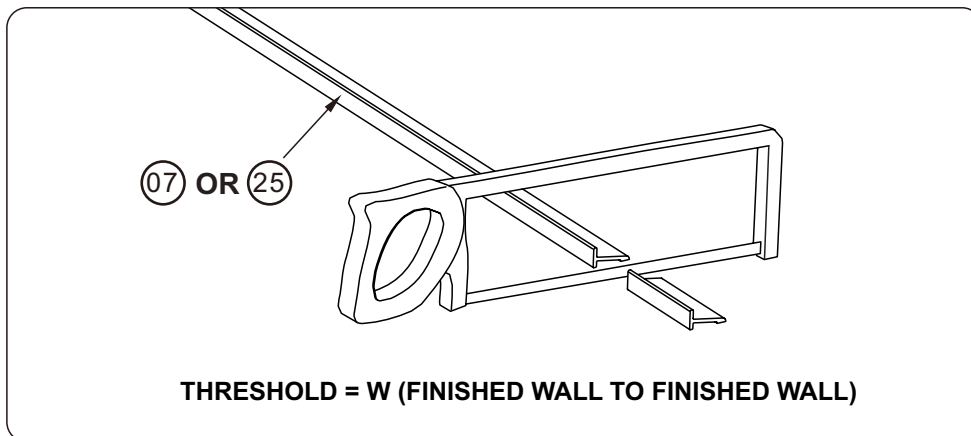
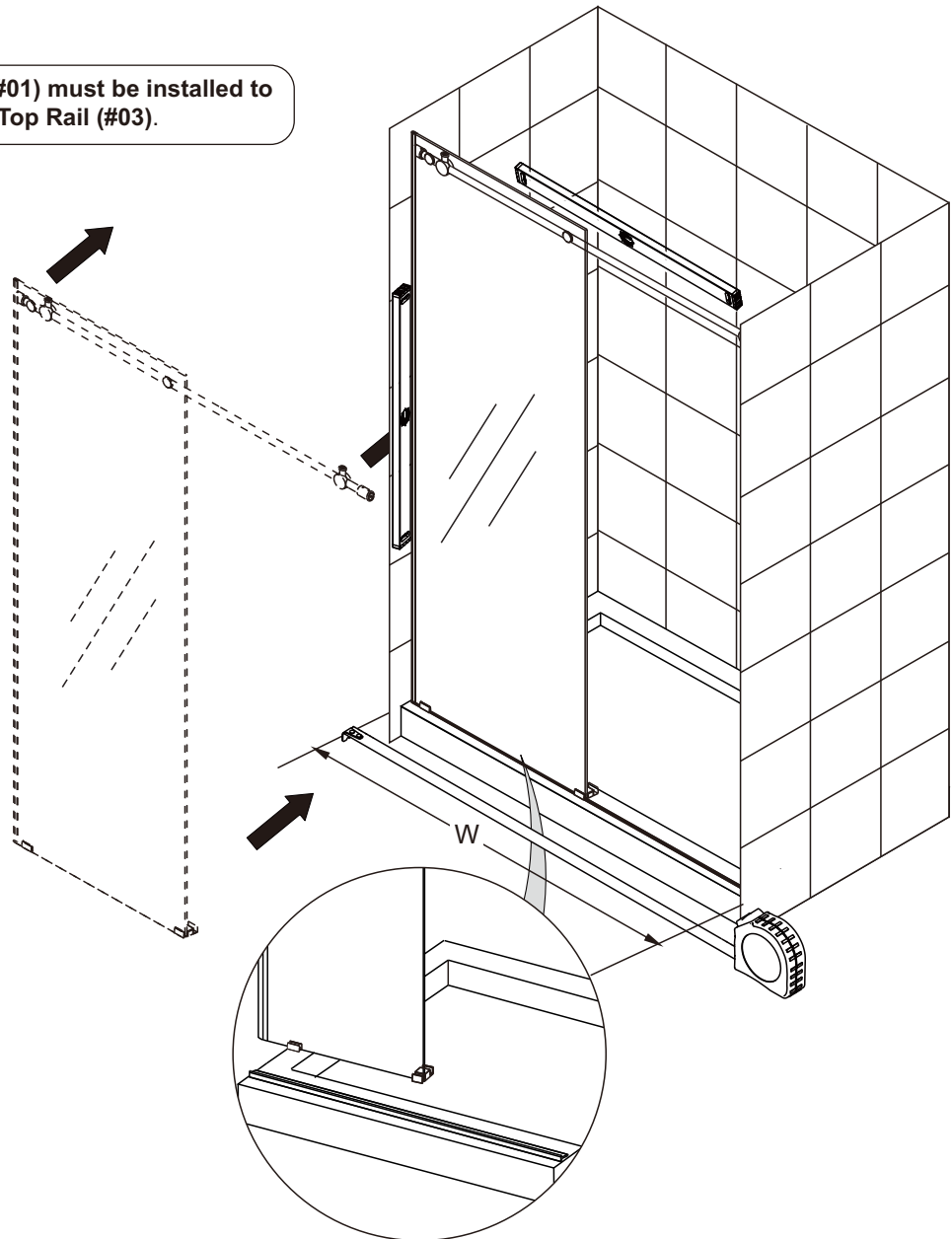
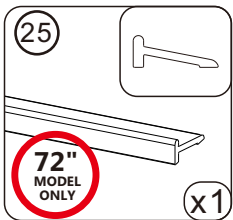
# Step 5

**NOTE** The Fixed Glass (#01) must be installed to the outside of the Top Rail (#03).

## Parts Needed



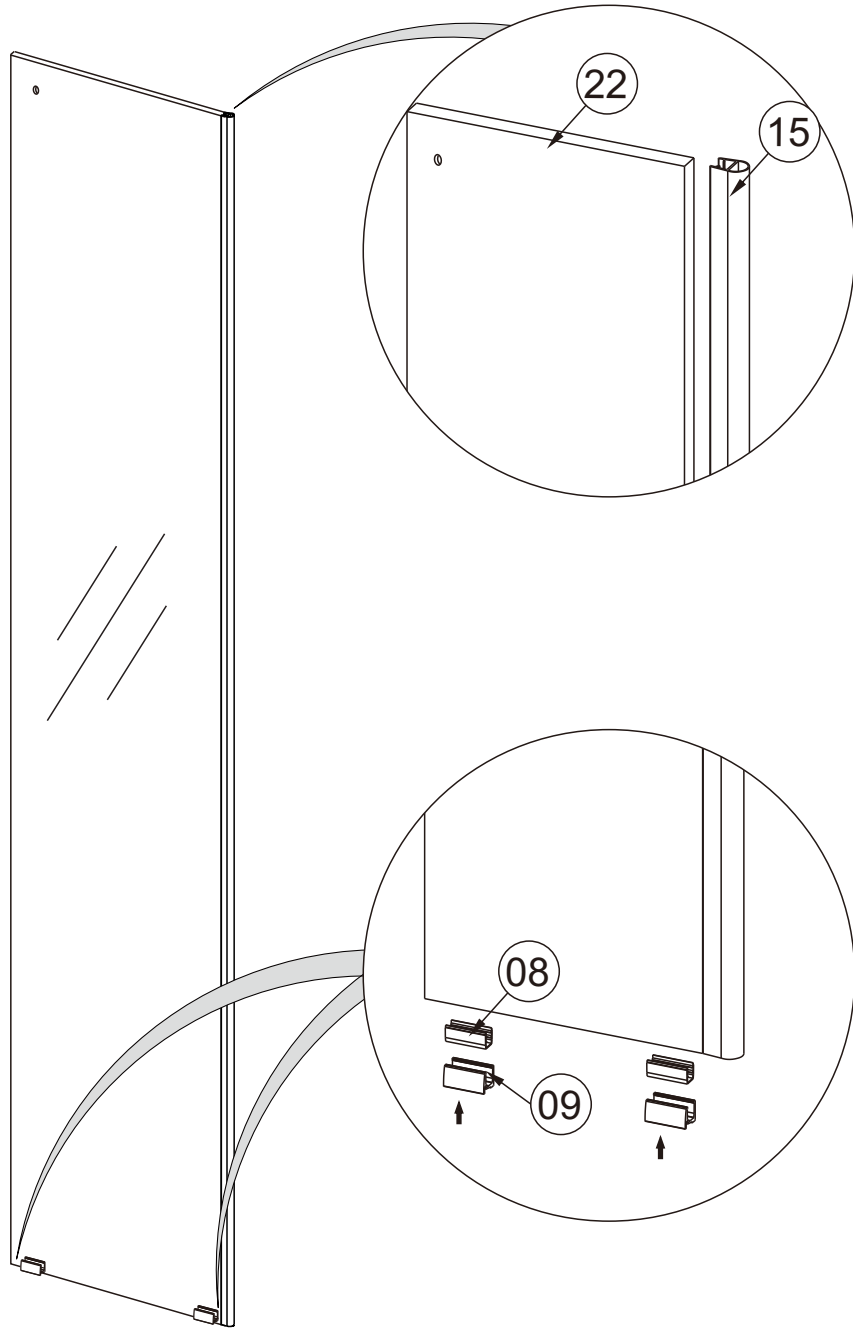
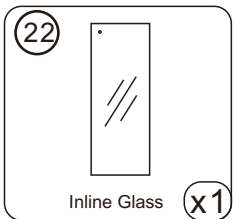
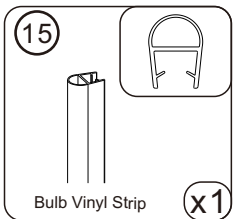
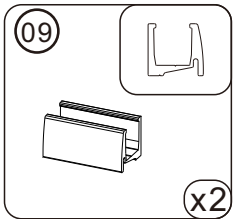
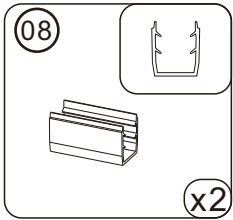
OR



# Step 6

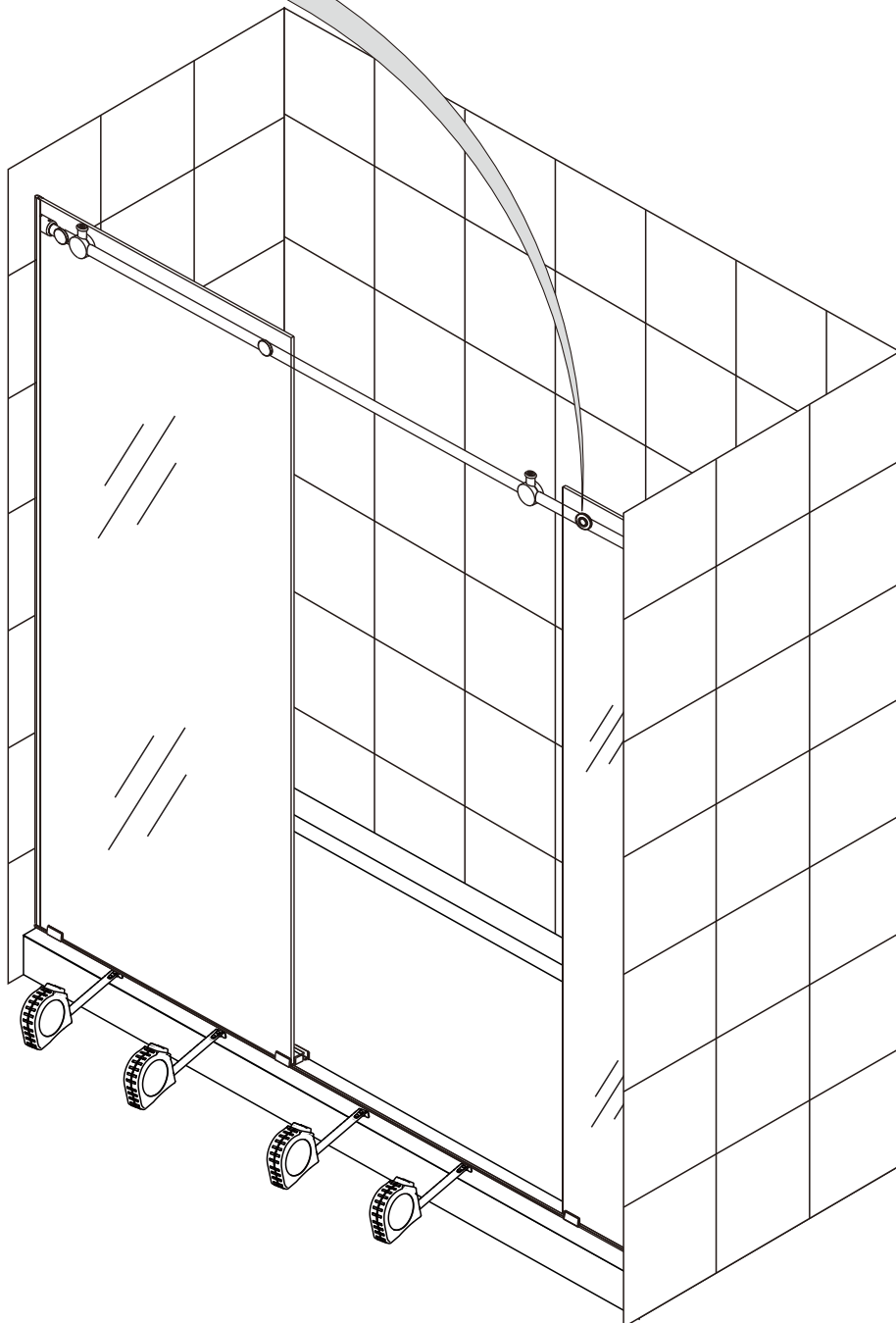
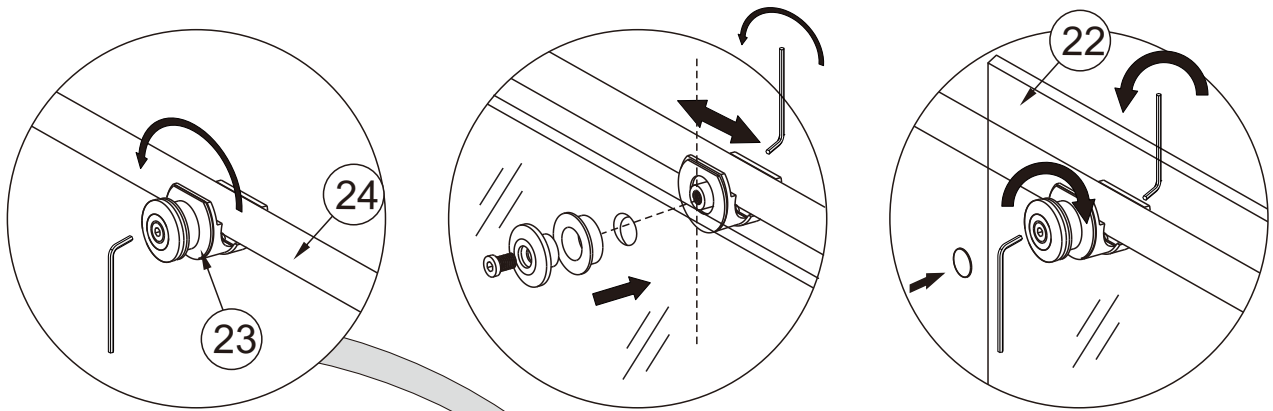
**72"**  
**MODEL**  
**ONLY**

## Parts Needed

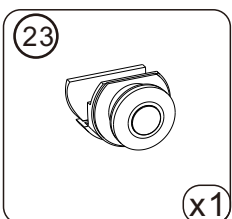


Step 7

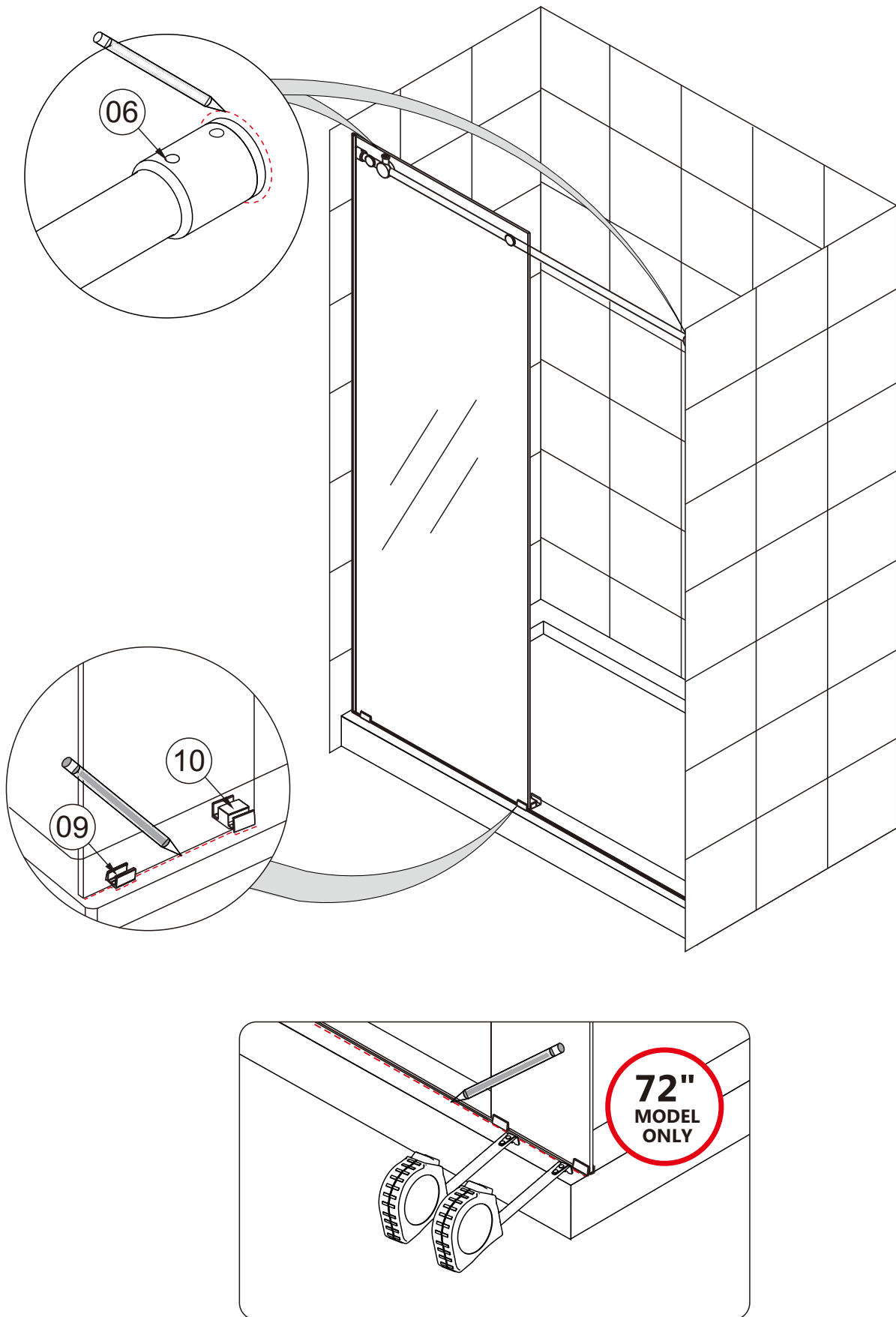
72"  
MODEL  
ONLY



Parts Needed

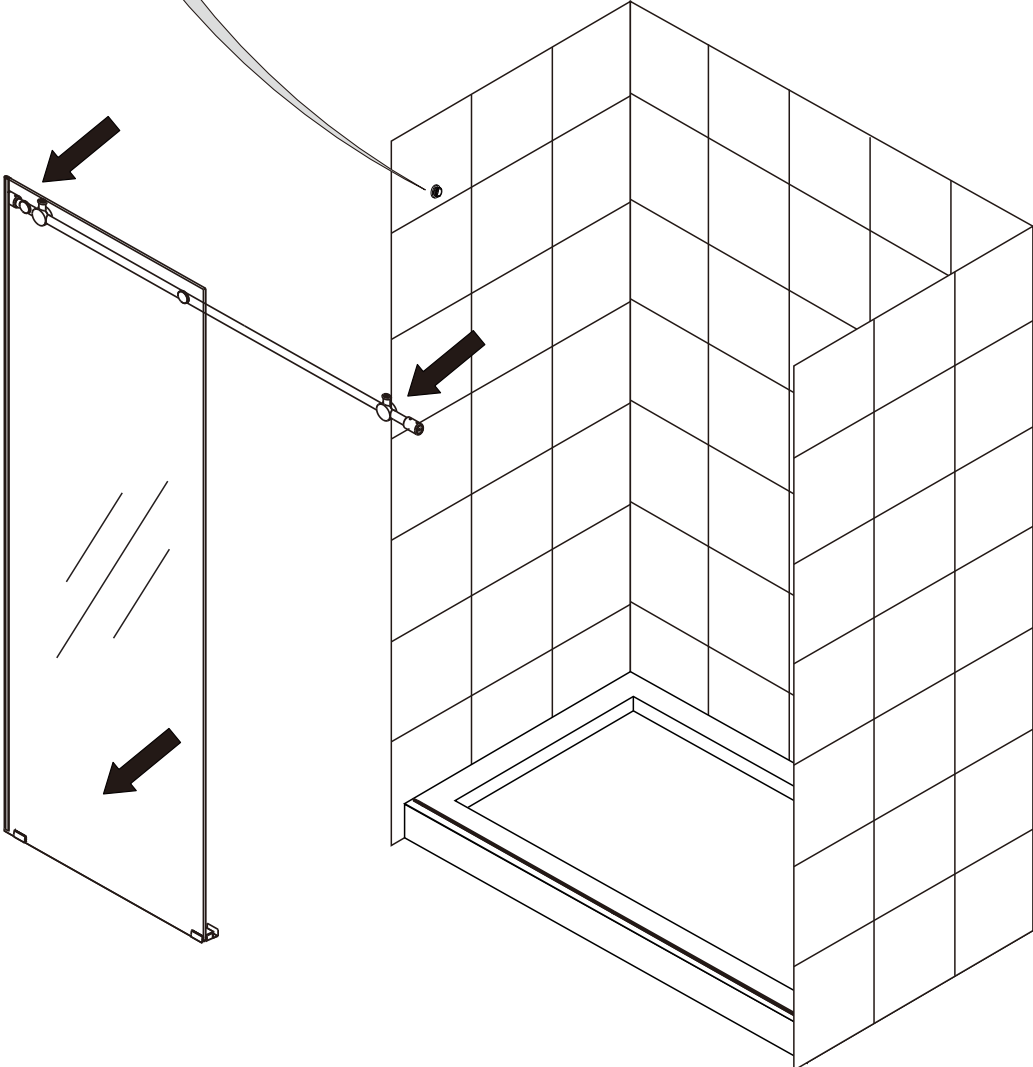
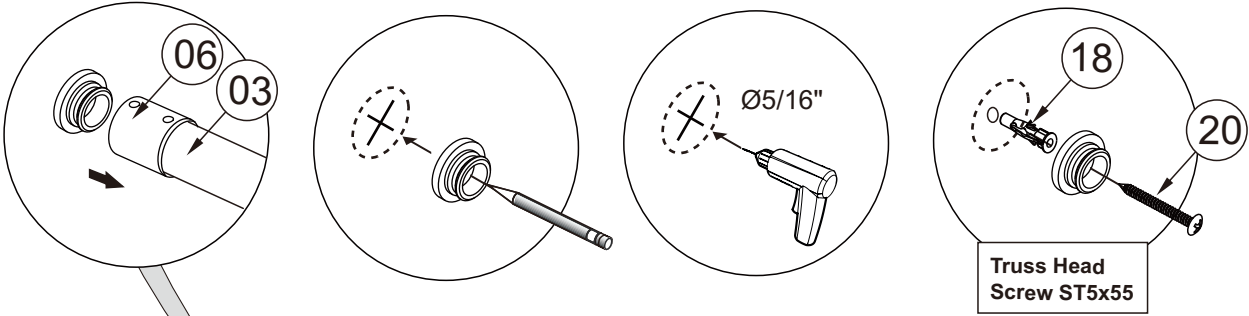


# Step 8

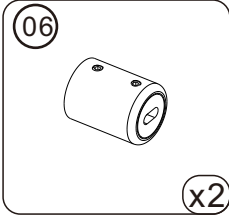




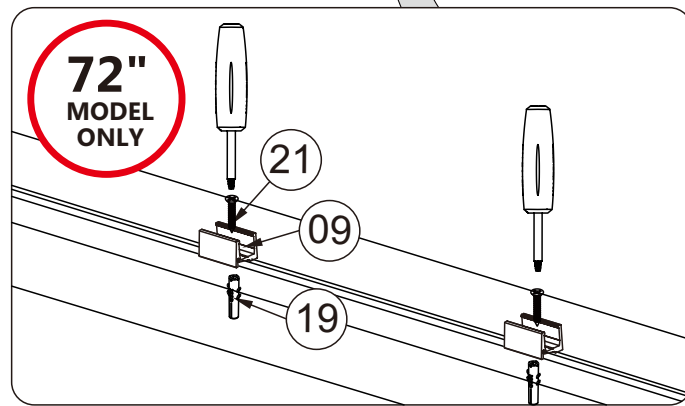
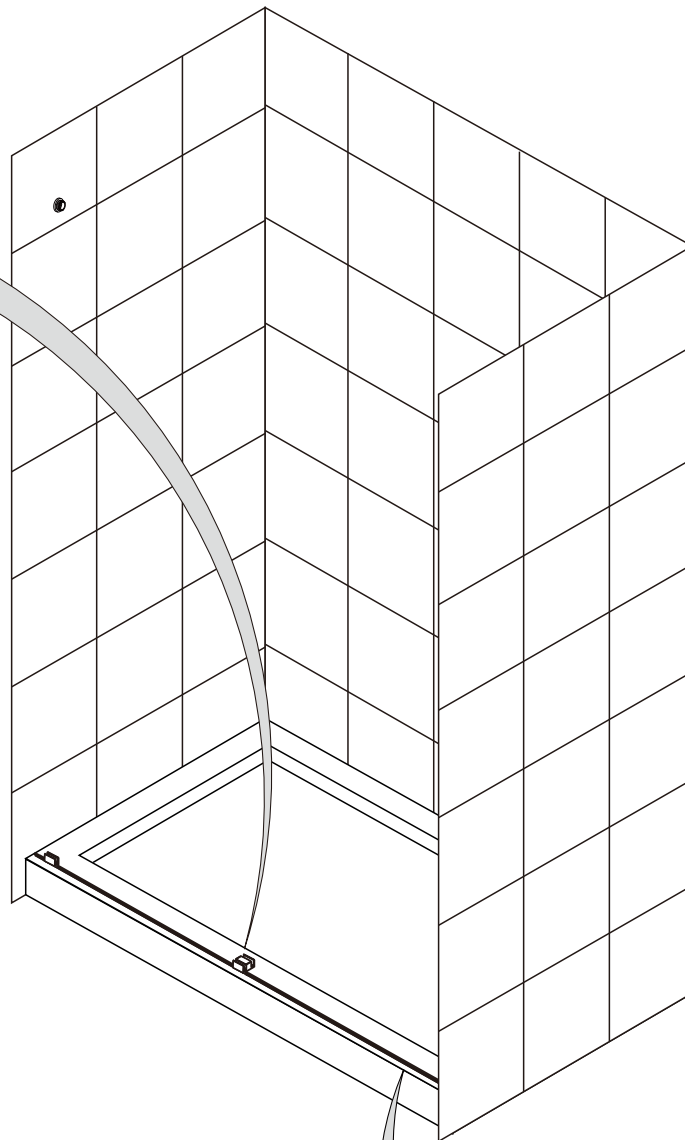
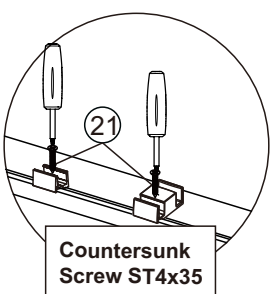
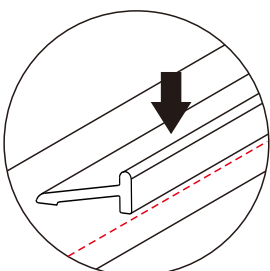
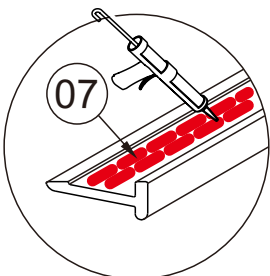
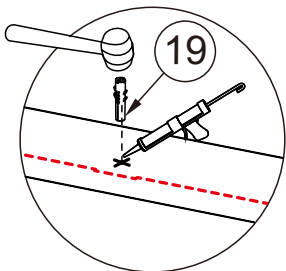
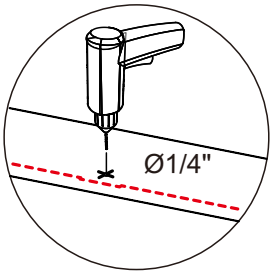
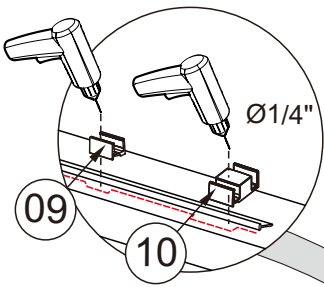
Step 9



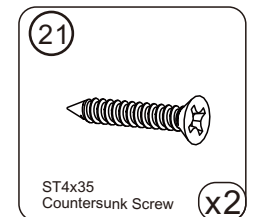
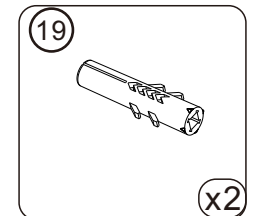
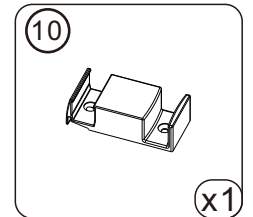
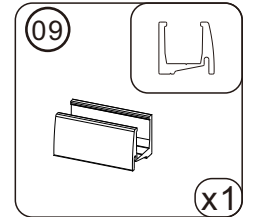
Parts Needed



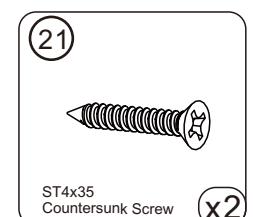
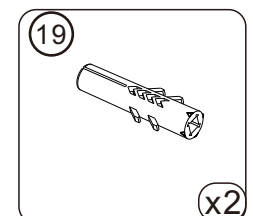
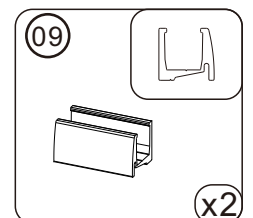
# Step 10



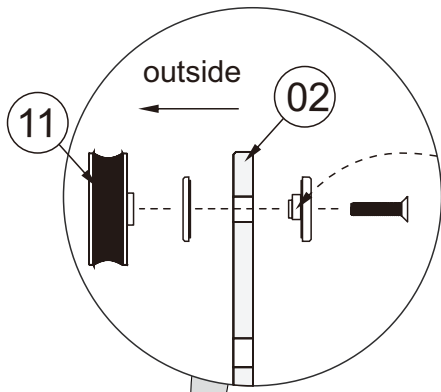
## Parts Needed


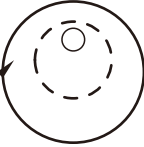


## \*72 Model Only

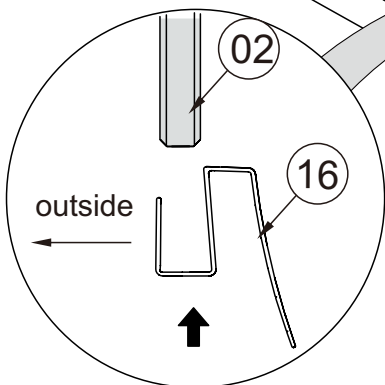
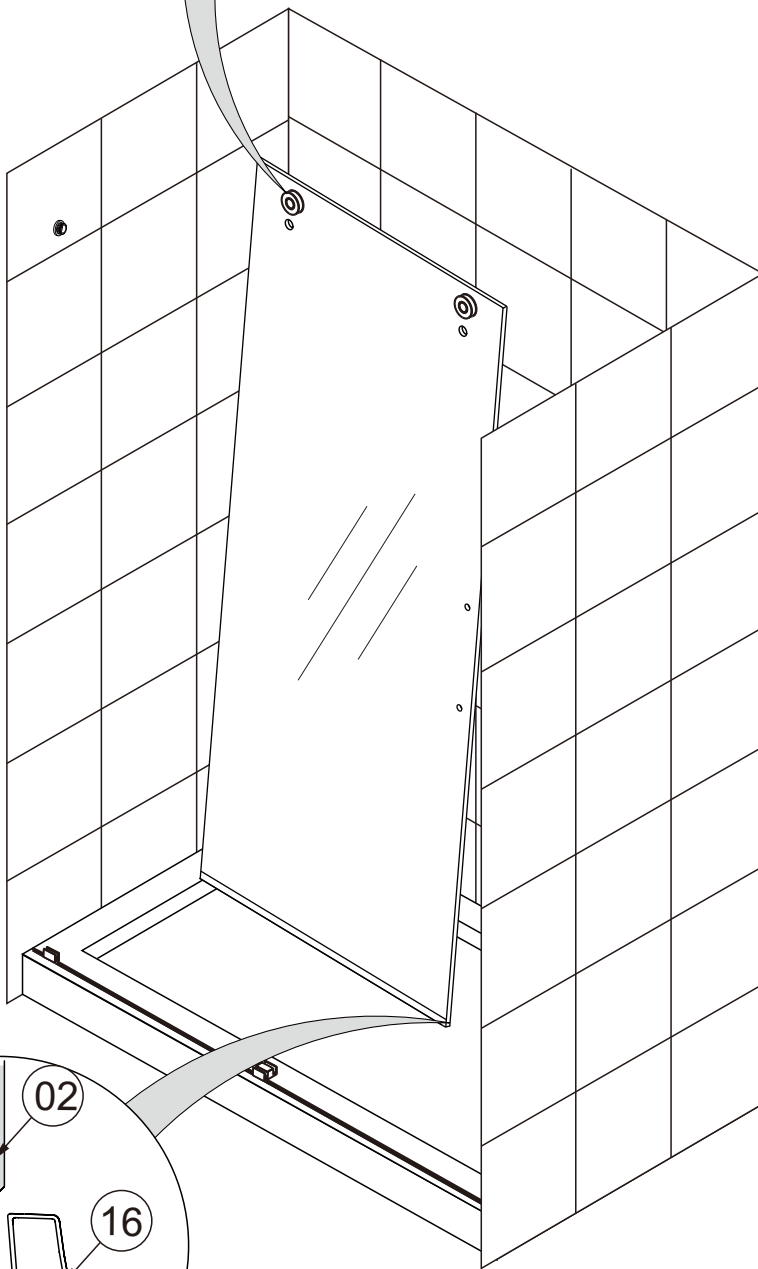


# Steps 11

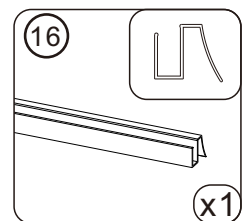
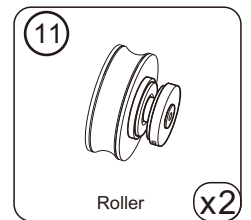
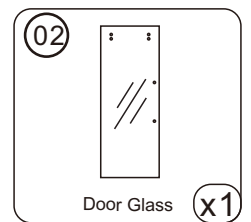


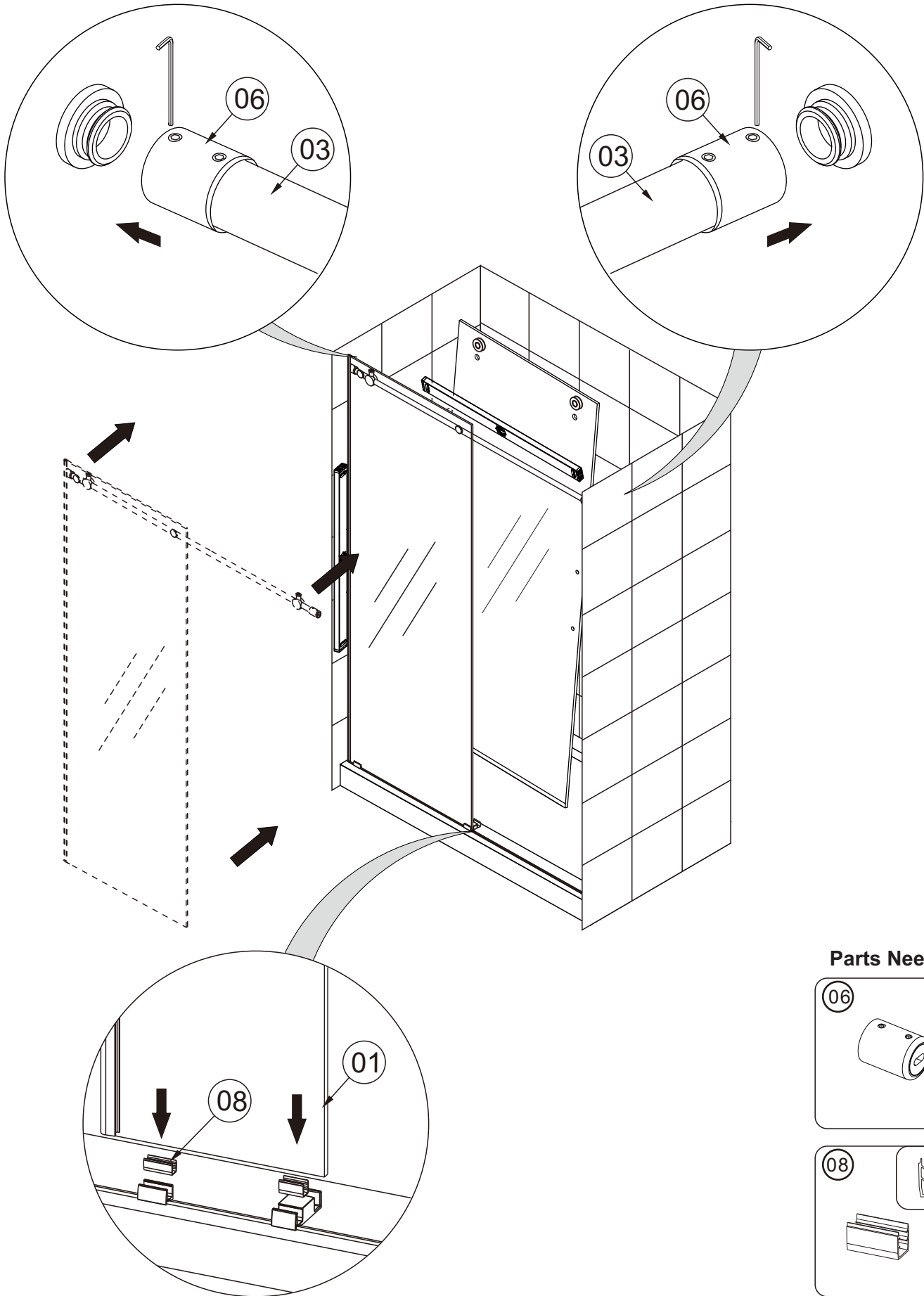
Eccentric nut for roller adjustment. (Raises and lowers the roller.) Minimum spacing should be oriented towards the lowermost as shown for all rollers and anti jump device.



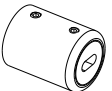

## Parts Needed



# Step 12

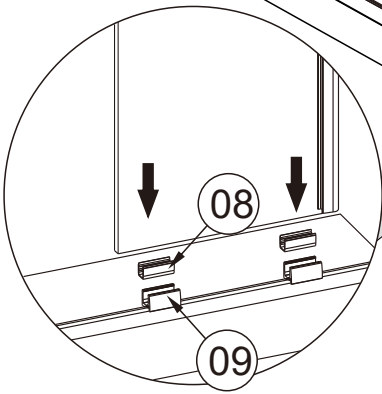
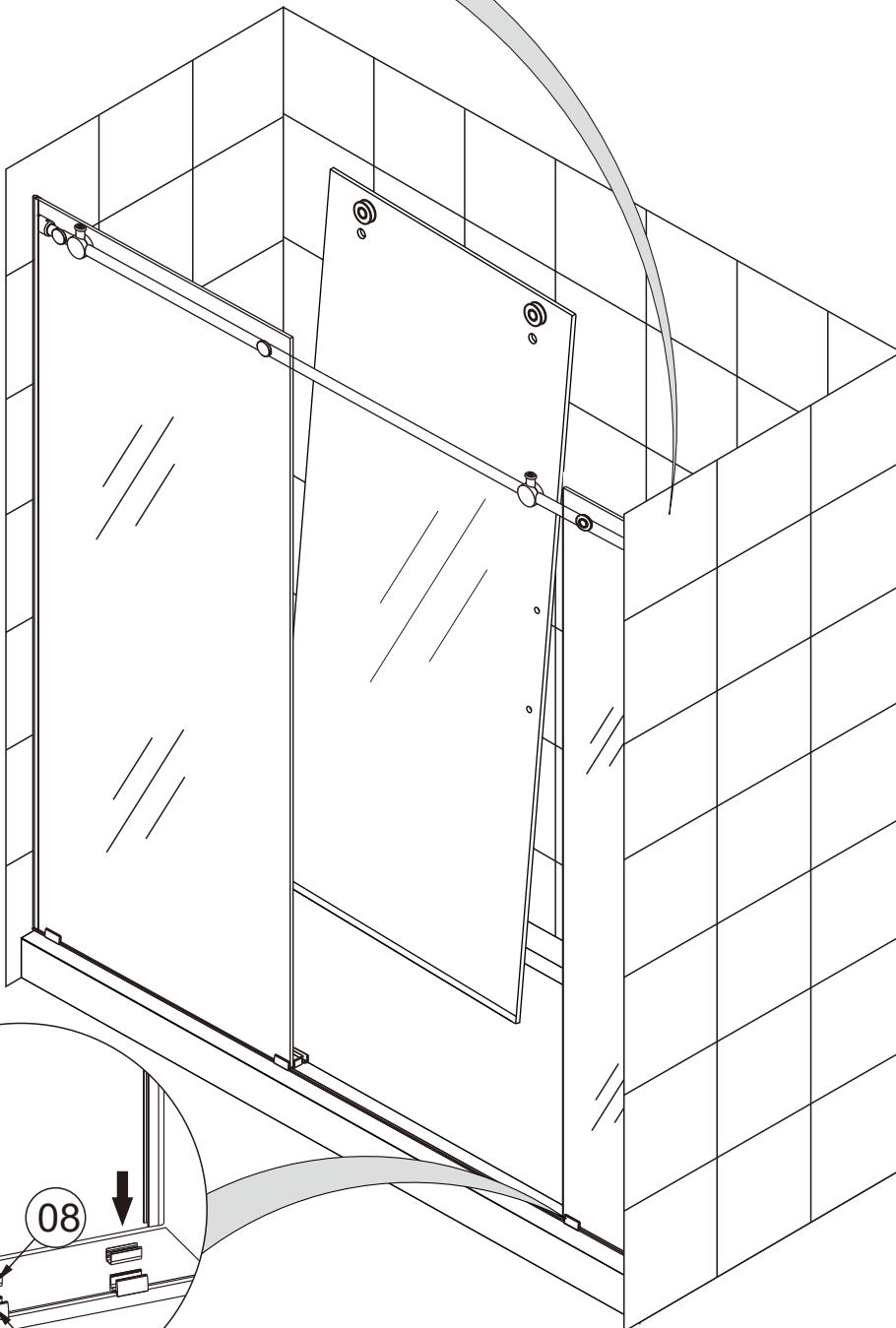
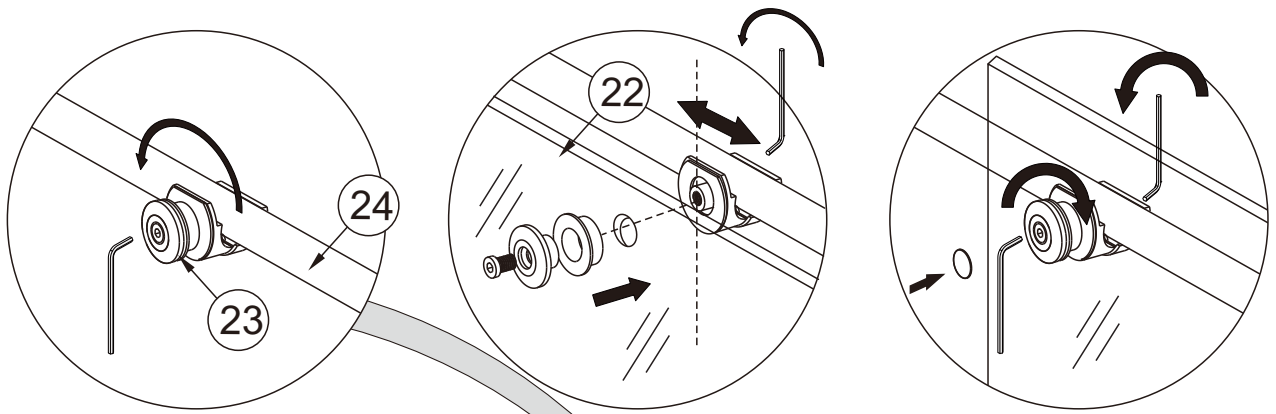


## Parts Needed

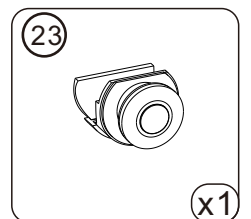
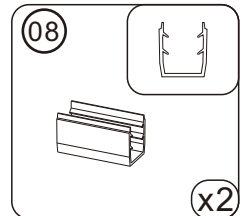
- 06**  **x2**
- 08**  **x2**

Step 13

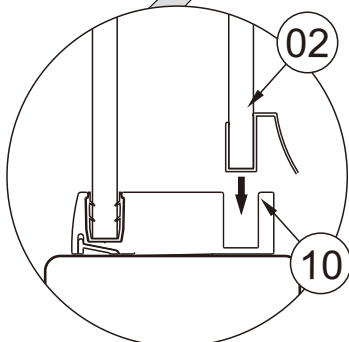
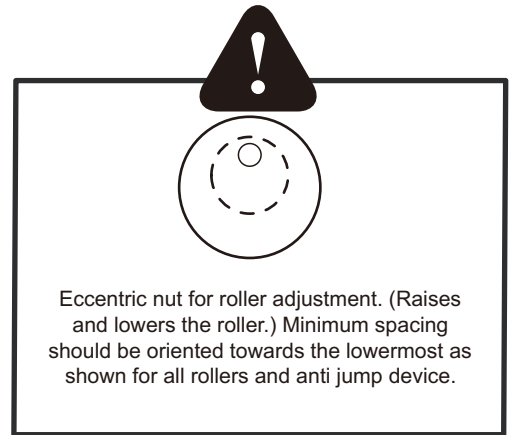
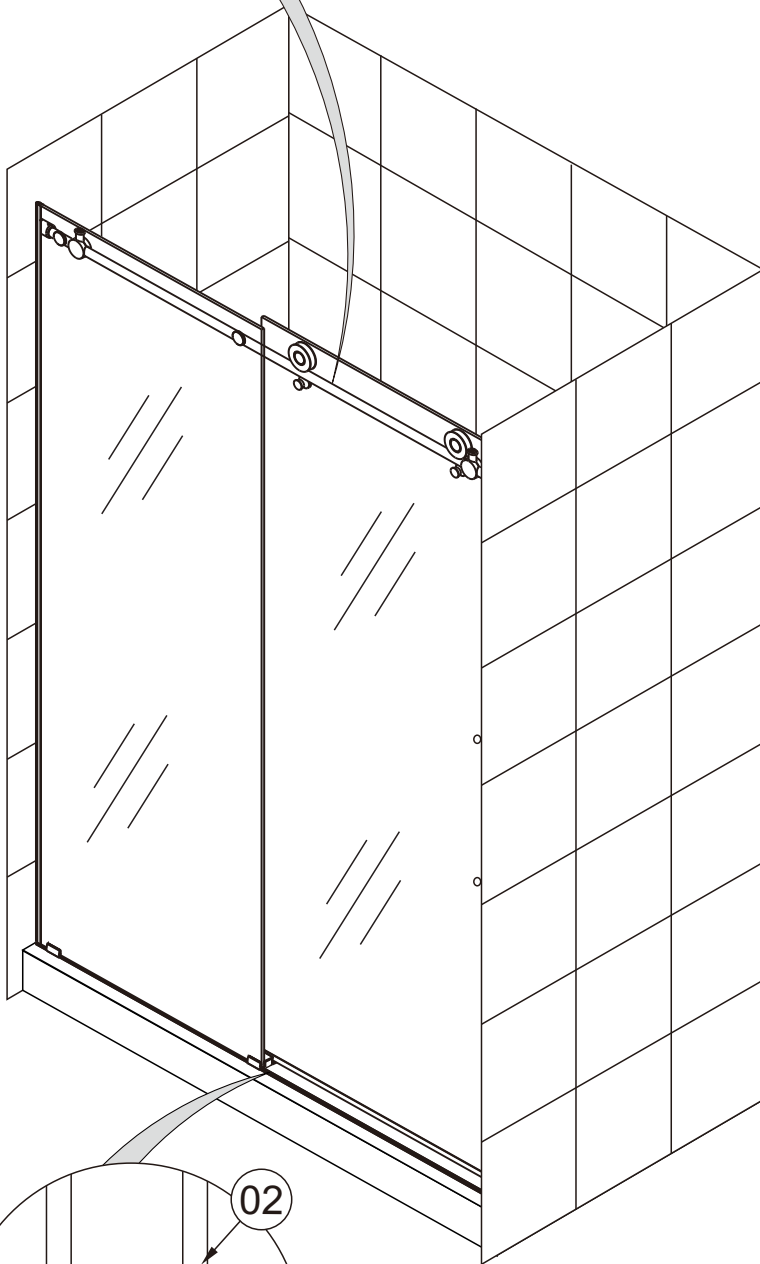
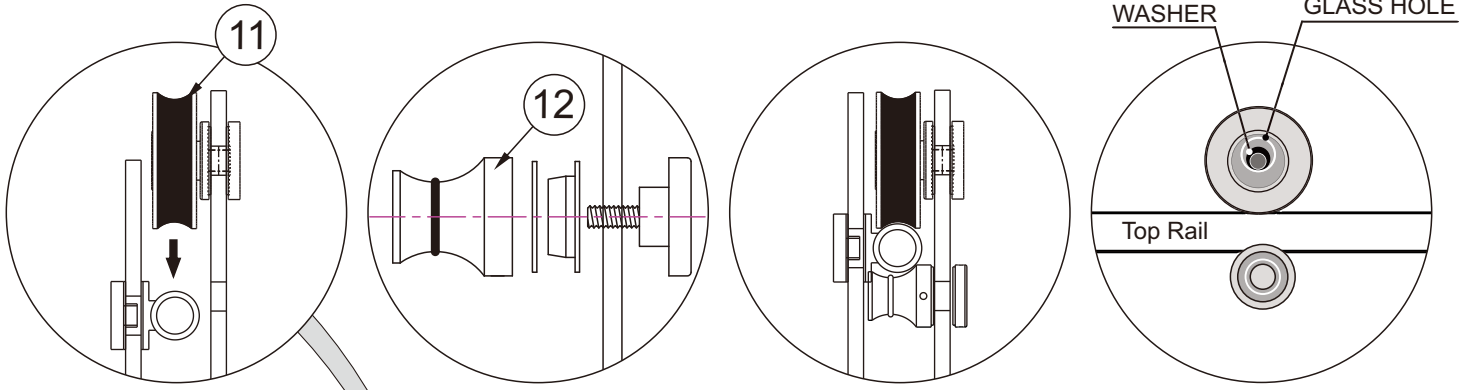
72"  
MODEL  
ONLY



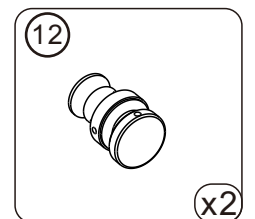
Parts Needed



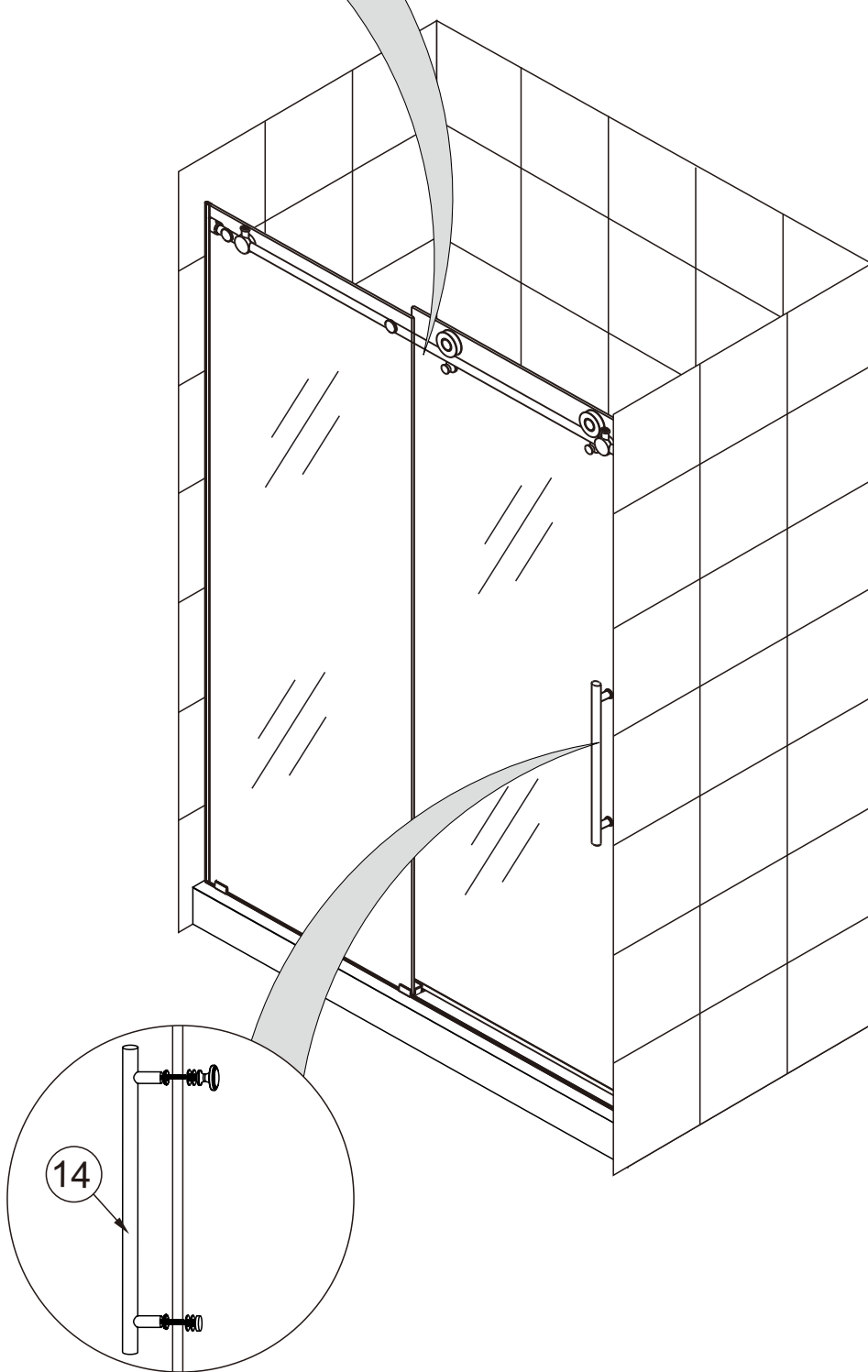
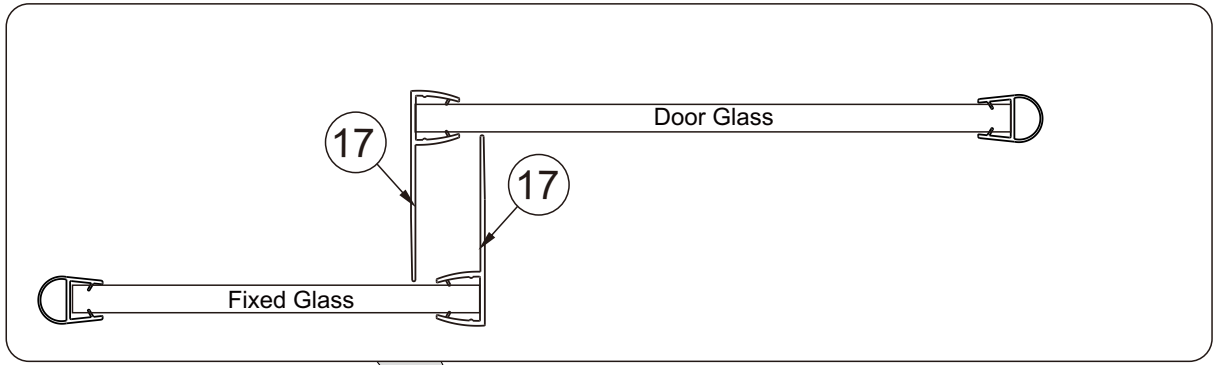
# Step 14



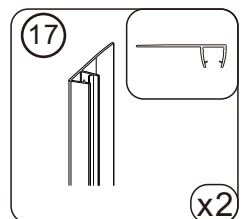
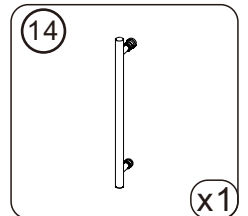
## Parts Needed

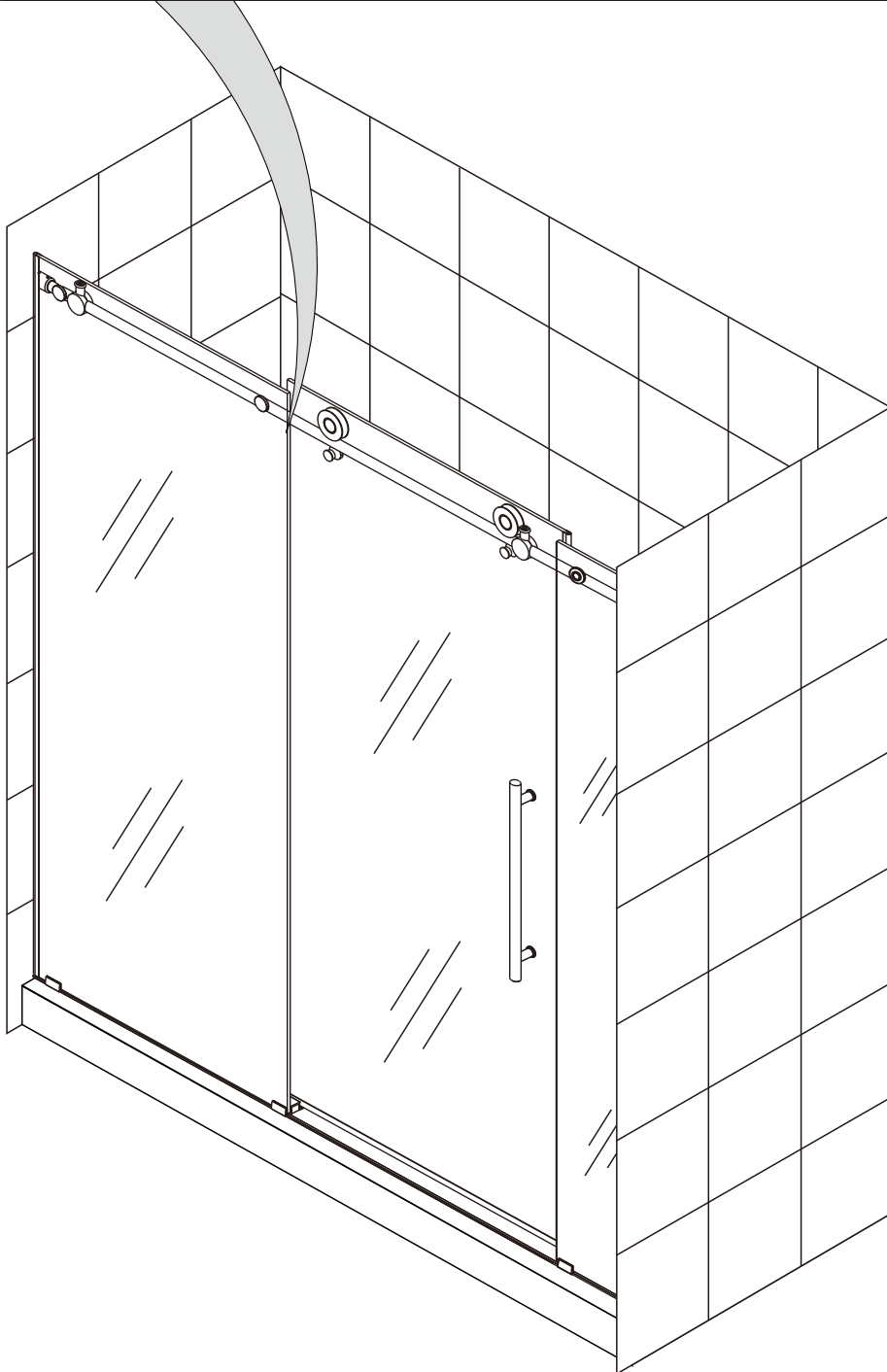
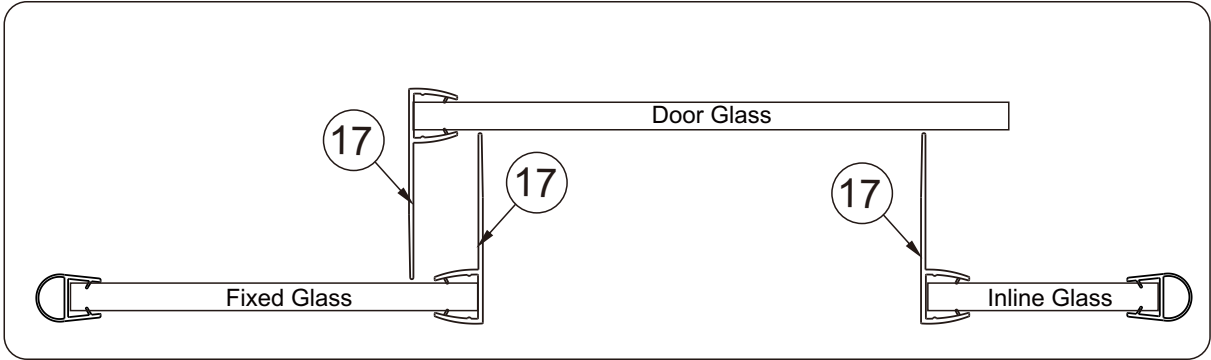


# Step 15

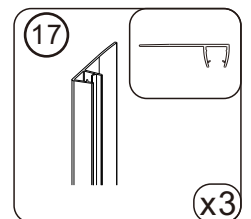


### Parts Needed





**Parts Needed**



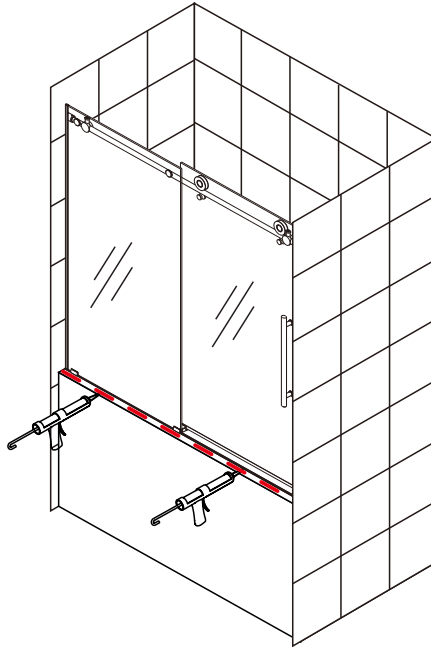


Step 17



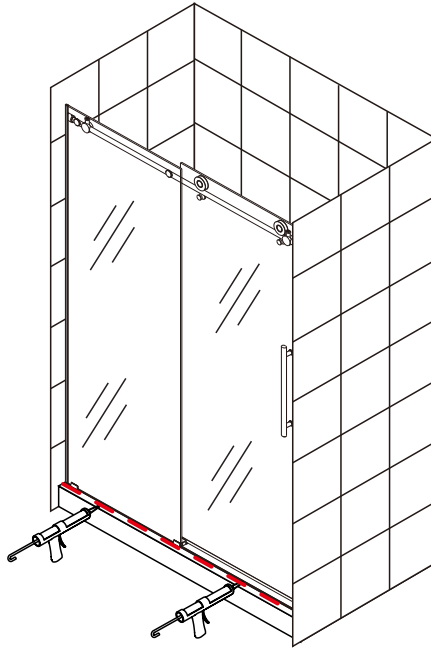
**24 HOURS**

Allow 24 hours for silicone to dry before use.



**24 HOURS**

Allow 24 hours for silicone to dry before use.



**24 HOURS**

Allow 24 hours for silicone to dry before use.

