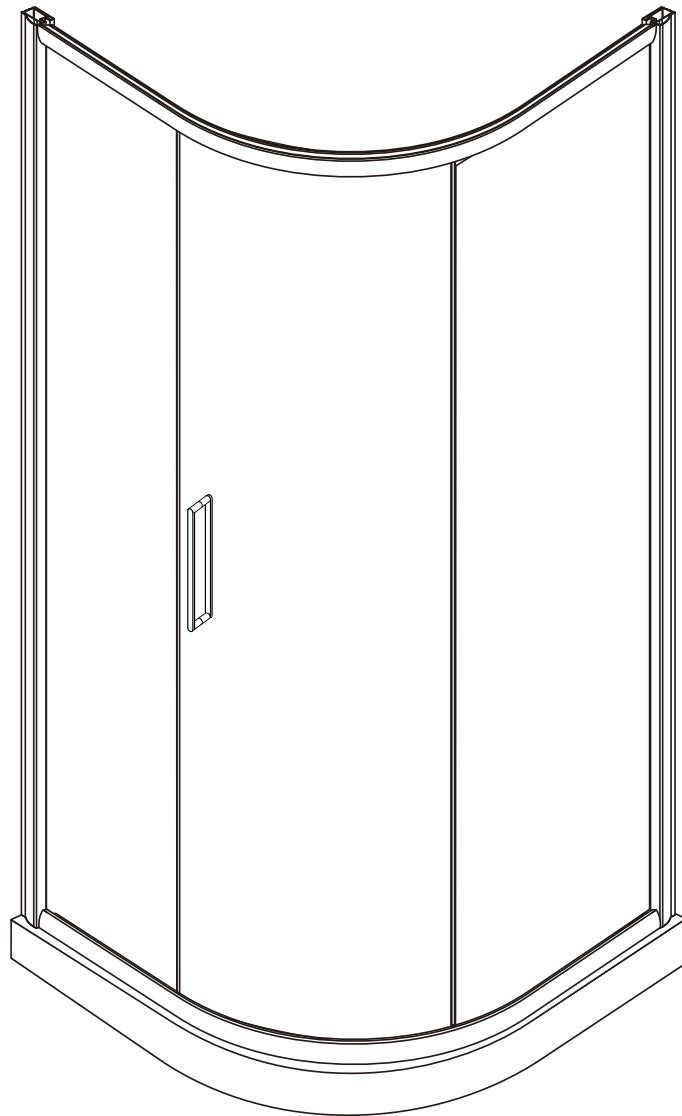




## INSTALLATION INSTRUCTIONS

### MILAN



#### SHOWER

SDMI-3676CG-CH & SDMI-3676CG-BN

CH - Chrome

BN - Brushed Nickel

## ◆ General Information

Inspect the product immediately upon receipt for transit damage, missing packs/parts or manufacturing fault. Damage reported later will not be accepted. Handle the product with care avoiding knocks and shock loading to all sides and edges of the glass.

**Notes: Safety glass can not be re-worked.**

Read these instructions carefully before start of installation.

Special care should be taken when drilling walls to avoid hidden pipes or electrical cables.

Note: This product is heavy and may require two people to install.

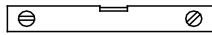
## Aftercare instructions

After use, your shower should be cleaned with soap and water. This is particularly important in hard water districts where insoluble lime salts maybe deposited and allowed to build up. Cleaners of a gritty or abrasive nature should not be used. Care should be taken to avoid contact with strong chemicals, they can be used but with caution, if in doubt contact the manufacturer of the cleaner in question.

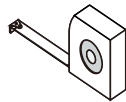
Keep these instructions for aftercare and customer service details.

---

## Tools Required



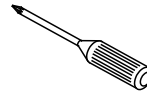
Level



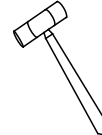
Tape Measure



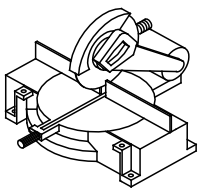
Pencil



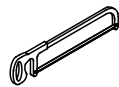
Phillips Screwdriver



Hammer



Miter saw or Hacksaw



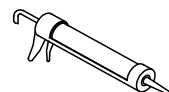
Power Drill



Drill bit  
(Ø=5/16")  
(Ø=8mm)



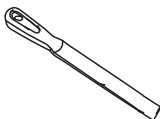
Drill bit  
(Ø=1/8")  
(Ø=3mm)



Silicone



Painter's Tape



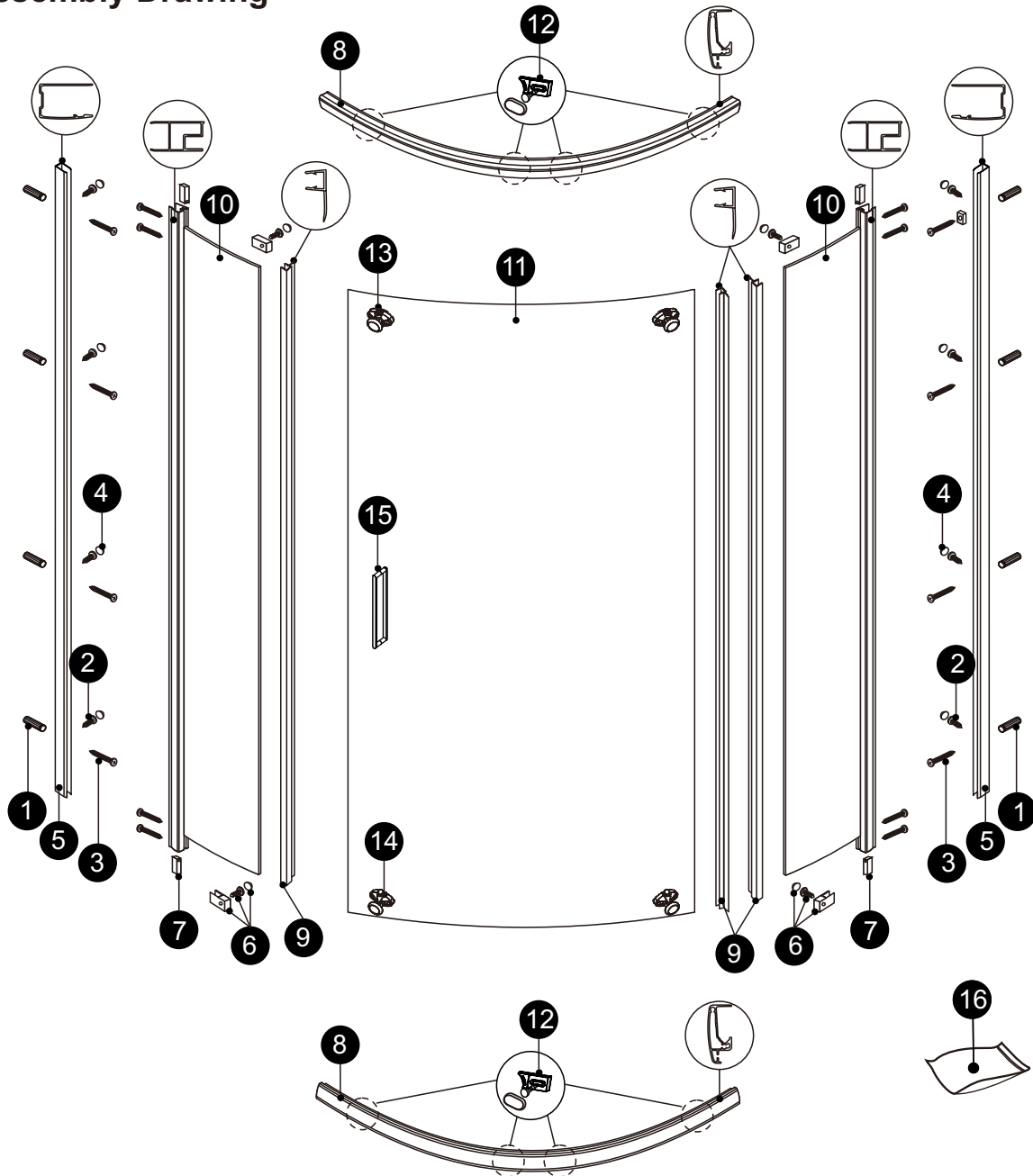
Metal File



**This product is heavy and may require two people to install.**



## ◆ Assembly Drawing

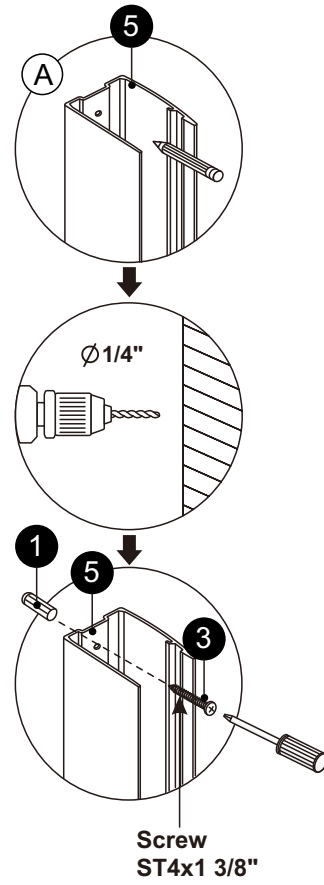
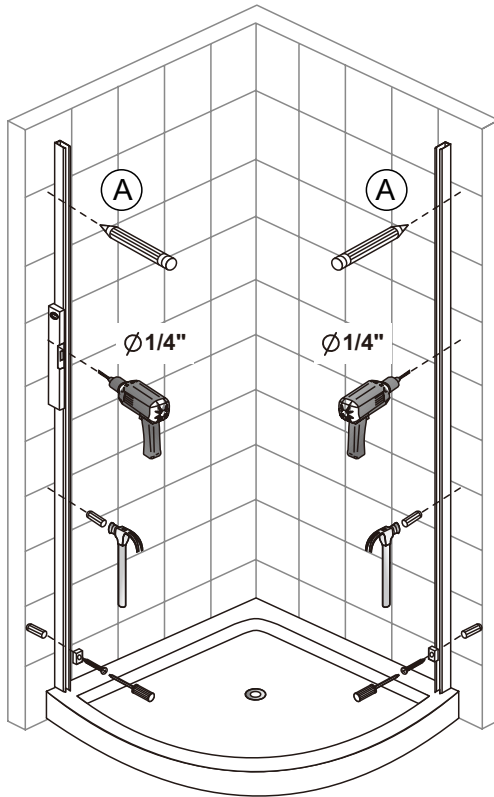


## PACKING LIST

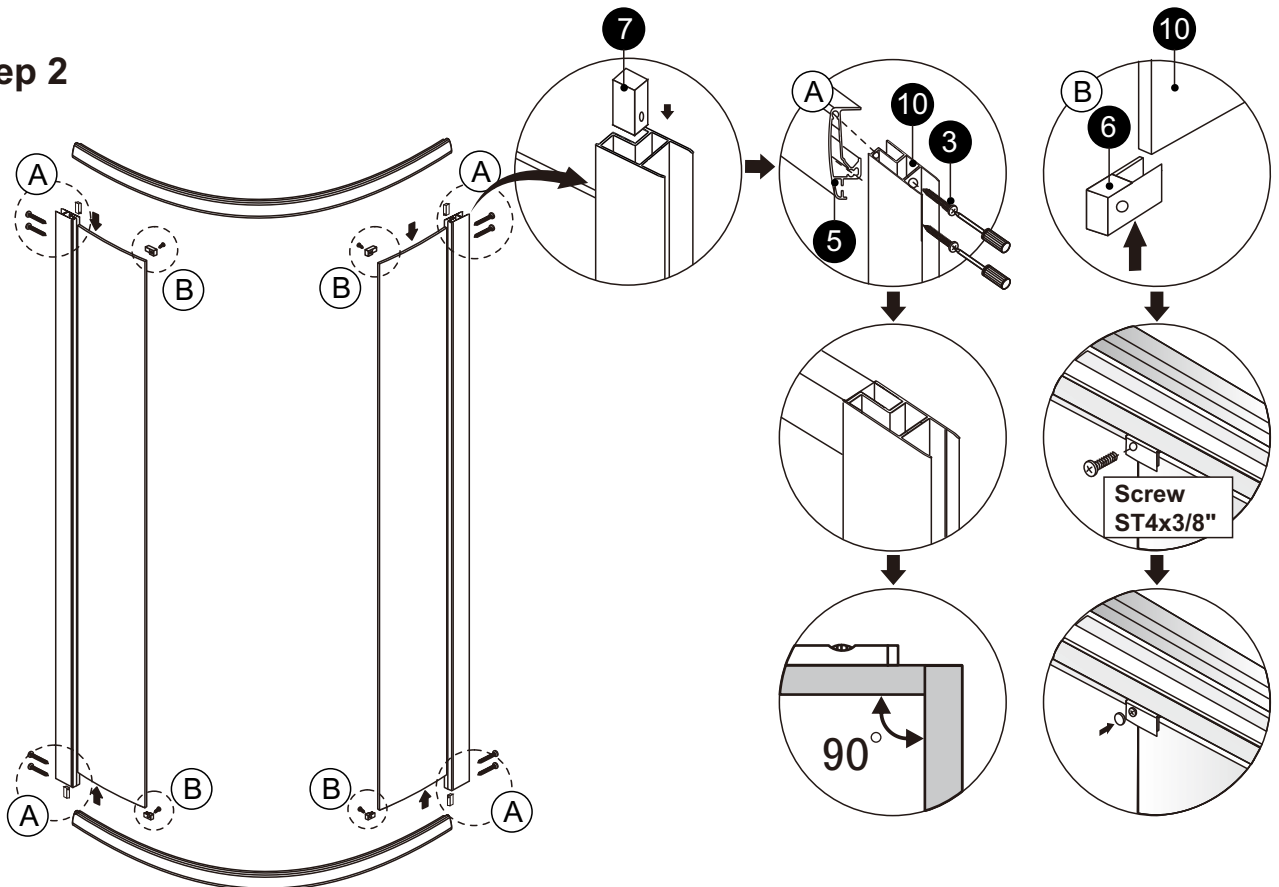
PART #	DESCRIPTION	Q'TY	PART #	DESCRIPTION	Q'TY
1	Wall Plugs	8pcs	9	Gaskets	3pcs
2	Screws ST4x5/16"	8pcs	10	Fixed Panels	2pcs
3	Screws ST4x1 3/8"	16pcs	11	Door Panel	1pc
4	Screw Cover Caps	8pcs	12	Set Piece (L/R) x 2 for each	2sets
5	Wall Jamb	2pcs		Set Piece Caps x 4	
6	Bumper Blocks (L/R) x 2 for each	2sets		Screws ST4x5/16" x 4	
	Bumper Blocks Caps x 4		13	Top Rollers	2pcs
	Screws ST4x3/8" x 4		14	Bottom Rollers	2pcs
7	Spacer Blocks	4pcs	15	Handle	1set
8	Rails	2pcs	16	Lube	1pc

# ◆ Installation Steps

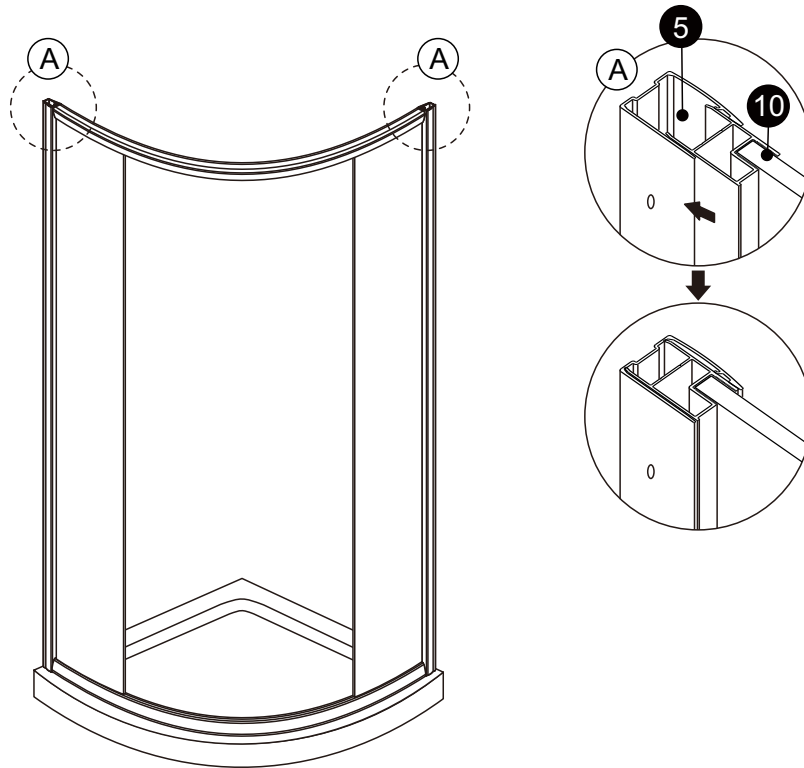
## Step 1



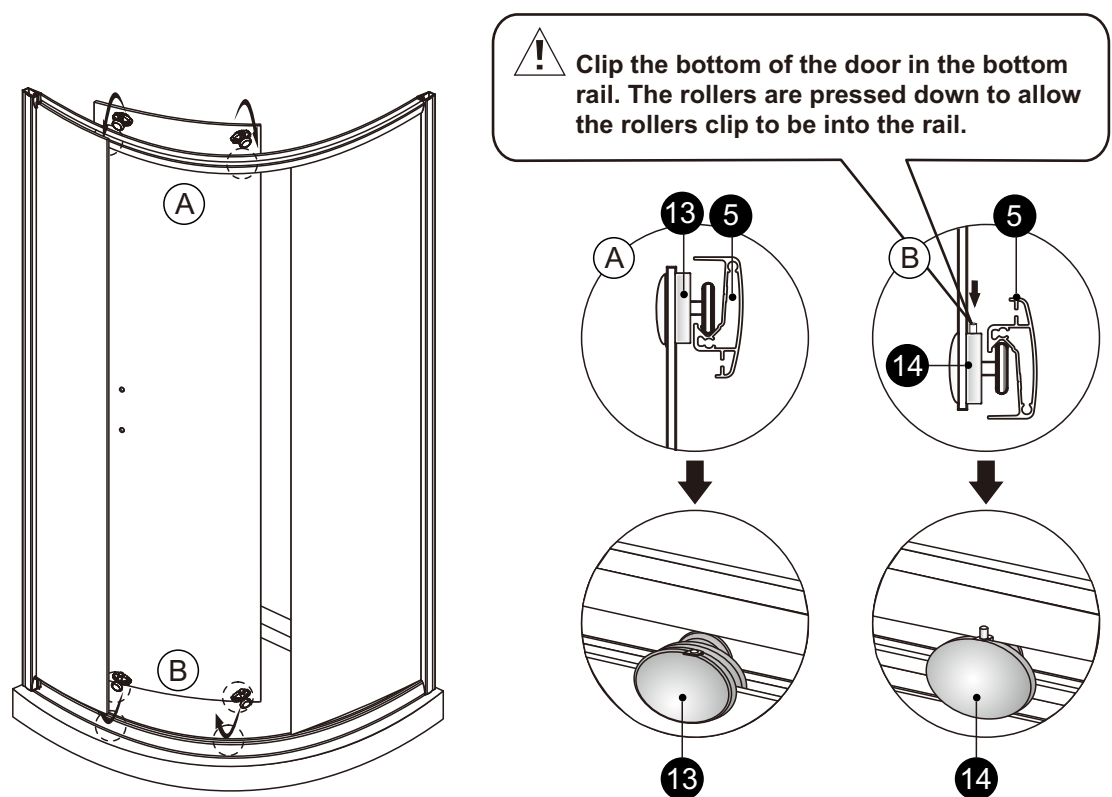
## Step 2



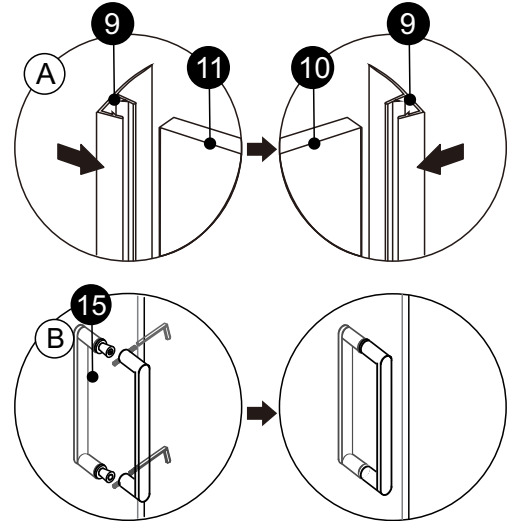
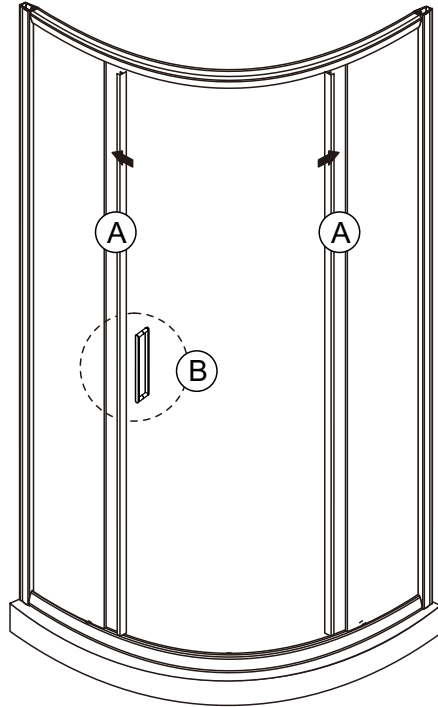
### Step 3



### Step 4

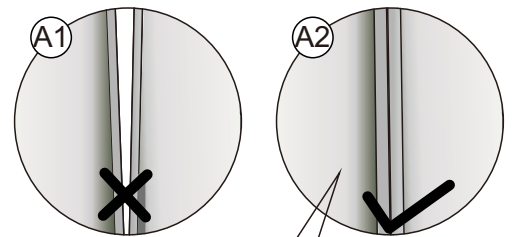
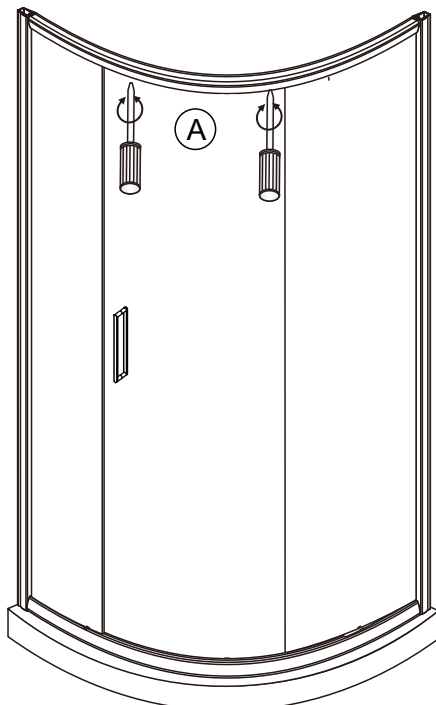


## Step 5



Ensure wall profiles are plumb.  
Adjust enclosure to be square and level.  
Wheels should be adjusted to square the  
doors and ensure smooth running.

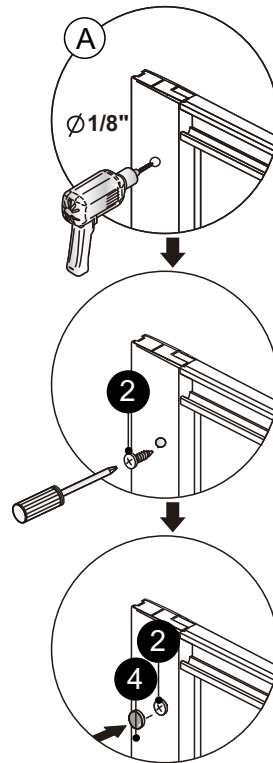
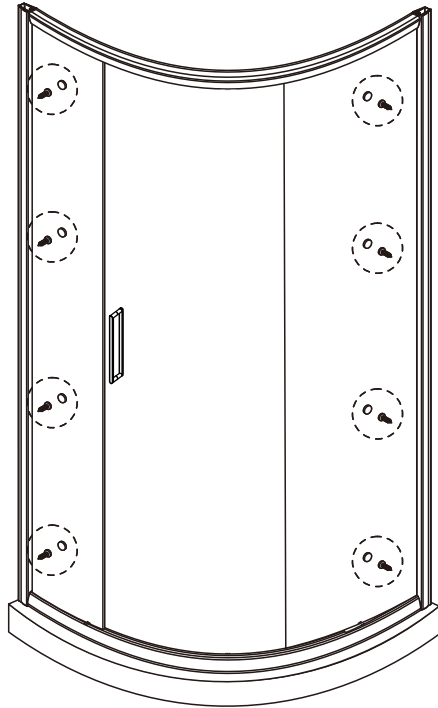
## Step 6



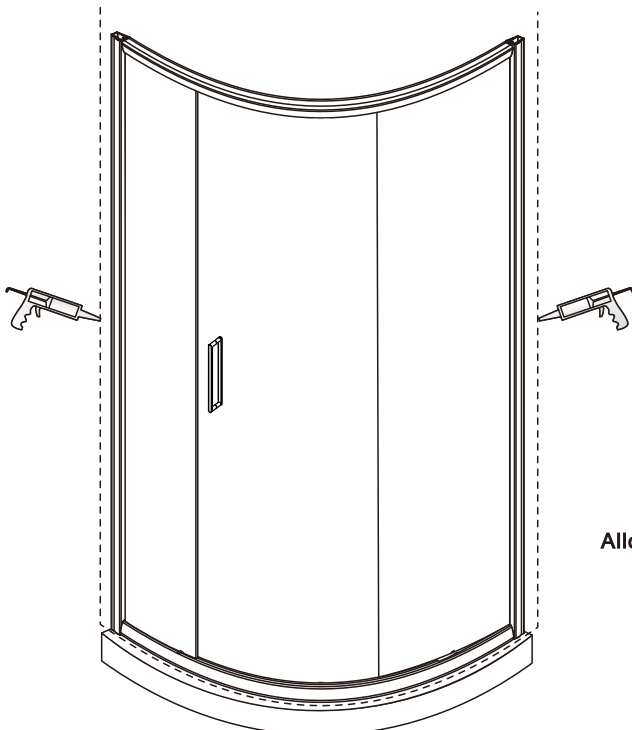
Adjust the sliding doors using the  
screws located on the bottom of top  
roller assemblies Adjust rollers so  
that the sliding doors are parallel to  
the fixed panels and parallel to each  
other.

**Note:** Do not over tighten top rollers  
as this will cause the bottom rollers  
to jamb and or break.

## Step 7



## Step 8



Allow 24 hours for silicone to dry before use.